

CATALOG #	TYPE	
JOB NAME	WATTAGE	VOLTAGE

Remote Mini-Cabinet

Accessible Power Supply for Static White LED Fixtures

REM-SWCAB

1 or 2 drivers per cabinet • Plenum Rated

Specifications

Remote Driver Cabinet

- 21-7/8" x 4-3/8" x 2-3/4" carbon steel enclosure supports a variety of driver types, see ordering info on page 2 for more detailed driver information.
- Wall mounted or plenum mounted on ceiling grid, enclosure fabricated from 16 gauge steel. Includes flat, removable cover fastened with plated steel screws. Cover design permits easy removal. Mounting holes on back of cabinet. Removable knockouts on all four sides.
- 1/2" and 3/4" knockouts

LED Driver - REMOTE

- Constant current dimmable LED driver
- Indoor Rated: Operating ambient temperature -20°C to 50°C (-4°F to 122°F)
- **Must Specify** dimming protocols and dimming ranges choose between 0-10V (10%, 1.0%, 0.1%), DALI (1%, 0.1%), and DMX (0.1%)
- Voltage: 120-277/50-60Hz; load insensitive
- Maximum mounting distance up to 250' away from fixtures



UL, C-UL (Canada) & FCC Compliance

- NEMA 1 rating (cabinet)
- FCC Part 15 certified for EMI/RFI emissions

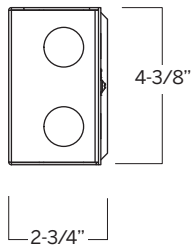
FIVE YEAR Limited Warranty

- Complete remote driver cabinet with included drivers and hardware

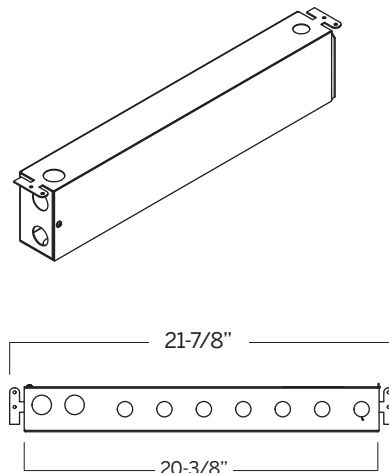


Dimensions

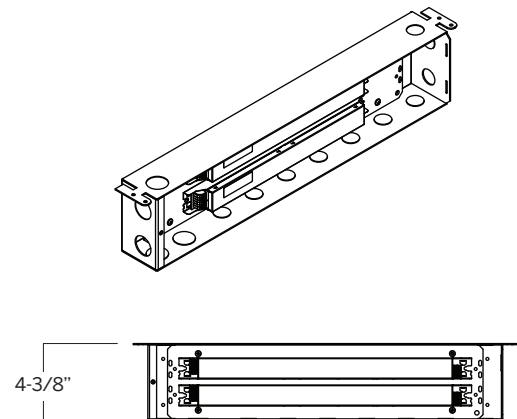
END VIEW



ISOMETRIC AND SIDE VIEW



OPEN COVER VIEWS



Ordering Configuration

(Example: REM-SWCAB-1400B-2-D2)

Must Specify				Optional
Model		Driver Count	Dimming	Other Options
REM-SWCAB	23 Watt Drivers	-1: 1 driver	-D0: 0-10V 10% dim	(Blank): None -E15: Remote emergency micro-inverter: 50W max load; 90+ minutes run time -EMI: Remote emergency mini-inverter: 125W max load; 90+ minutes run time
	-0080A: 80mA 23W driver	-2: 2 drivers	-D1: 0-10V 1.0% dim	
	-0120A: 120mA 23W driver		-D2: 0-10V 0.1% dim	
	50 Watt Drivers		-D3: DALI 1.0% dim	
	-0160A: 160mA 50W driver		-D4: DALI 100-0.1% dim	
	-0175A: 175mA 50W driver		-D5: DMX512A 0.1% dim; Only available on -XXXXA 50W driver options	
	-0240A: 240mA 50W driver			
	-0250A: 250mA 50W driver			
	-0280A: 280mA 50W driver			
	-0350A: 350mA 50W driver			
	-0500A: 500mA 50W driver			
	-0525A: 525mA 50W driver			
	-0600A: 600mA 50W driver			
	-0700A: 700mA 50W driver			
	-0840A: 840mA 50W driver			
	-0875A: 875mA 50W driver			
	-0910A: 910mA 50W driver			
	-1050A: 1050mA 50W driver			
	-1138A: 1138mA 50W driver			
	-1181A: 1181mA 50W driver			
	-1190A: 1190mA 50W driver			
	-1400A: 1400mA 50W driver			
	75 Watt Drivers			
	-0700B: 700mA 75W driver			
	-1000B: 1000mA 75W driver			
	-1050B: 1050mA 75W driver			
	-1138B: 1138mA 75W driver			
-1225B: 1225mA 75W driver				
-1190B: 1190mA 75W driver				
-1400B: 1400mA 75W driver				
-1470B: 1470mA 75W driver				
-1490B: 1490mA 75W driver				
-1575B: 1575mA 75W driver				
-1750B: 1750mA 75W driver				
-1850B: 1850mA 75W driver				
-2000B: 2000mA 75W driver				
-2100B: 2100mA 75W driver				
100 Watt Drivers				
-1050C: 1050mA 100W driver				
-1400C: 1400mA 100W driver				

Wiring Diagram

