

CATALOG #	TYPE	
JOB NAME	WATTAGE	VOLTAGE

Remote Mini-Cabinet

Accessible Power Supply for Static White Low Wattage LED Fixtures

REM-MTCAB

Up to 5 drivers per cabinet • Plenum Rated

Specifications

Remote Driver Cabinet

- 21-7/8" x 4-3/8" x 2-3/4" carbon steel enclosure supports a variety of driver types, see ordering info on page 2 for more detailed driver information.
- Wall mounted or plenum mounted on ceiling grid, enclosure fabricated from 16 gauge steel. Includes flat, removable cover fastened with plated steel screws. Cover design permits easy removal. Mounting holes on back of cabinet. Removable knockouts on all four sides.
- 1/2" and 3/4" knockouts

LED Driver - REMOTE

- Indoor: -20°C to 50°C (-4°F to 122°F)
- CCR Static White LED Driver (See ordering configuration for dimming options)
- Voltage: 120-277/50-60Hz; load insensitive
- Maximum mounting distance up to 250' away from fixtures
- Low voltage cabling from driver to fixtures



UL, C-UL (Canada) & FCC Compliance

- NEMA 1 rating (cabinet)
- FCC Part 15 certified for EMI/RFI emissions

FIVE YEAR Limited Warranty



- Complete remote driver cabinet with included drivers and hardware

Maintenance and Future-Proofing

- M1 maintenance level standard- Phillips head screwdriver, and/or a basic wrench needed
- Lighthead, driver replaceable through the aperture of the fixture with quick-connections, no soldering required
- Backed by Kirlin's [25-Year Legacy Support Guarantee](#)

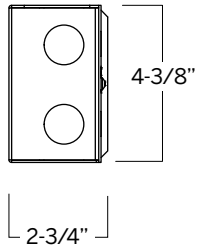


Available Maintenance Levels

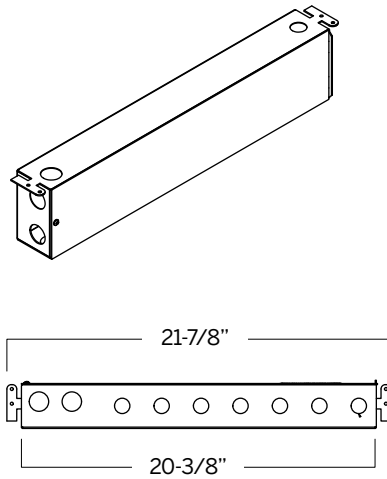
Level	Option	Tools Required to Service LED Module and Driver
 M1	Standard	 <ul style="list-style-type: none"> • Phillips head screwdriver, and/or a basic wrench needed

Dimensions

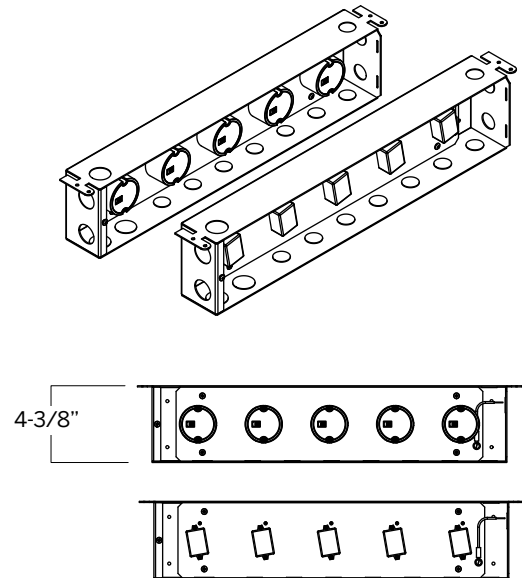
END VIEW



ISOMETRIC AND SIDE VIEW



OPEN COVER VIEWS



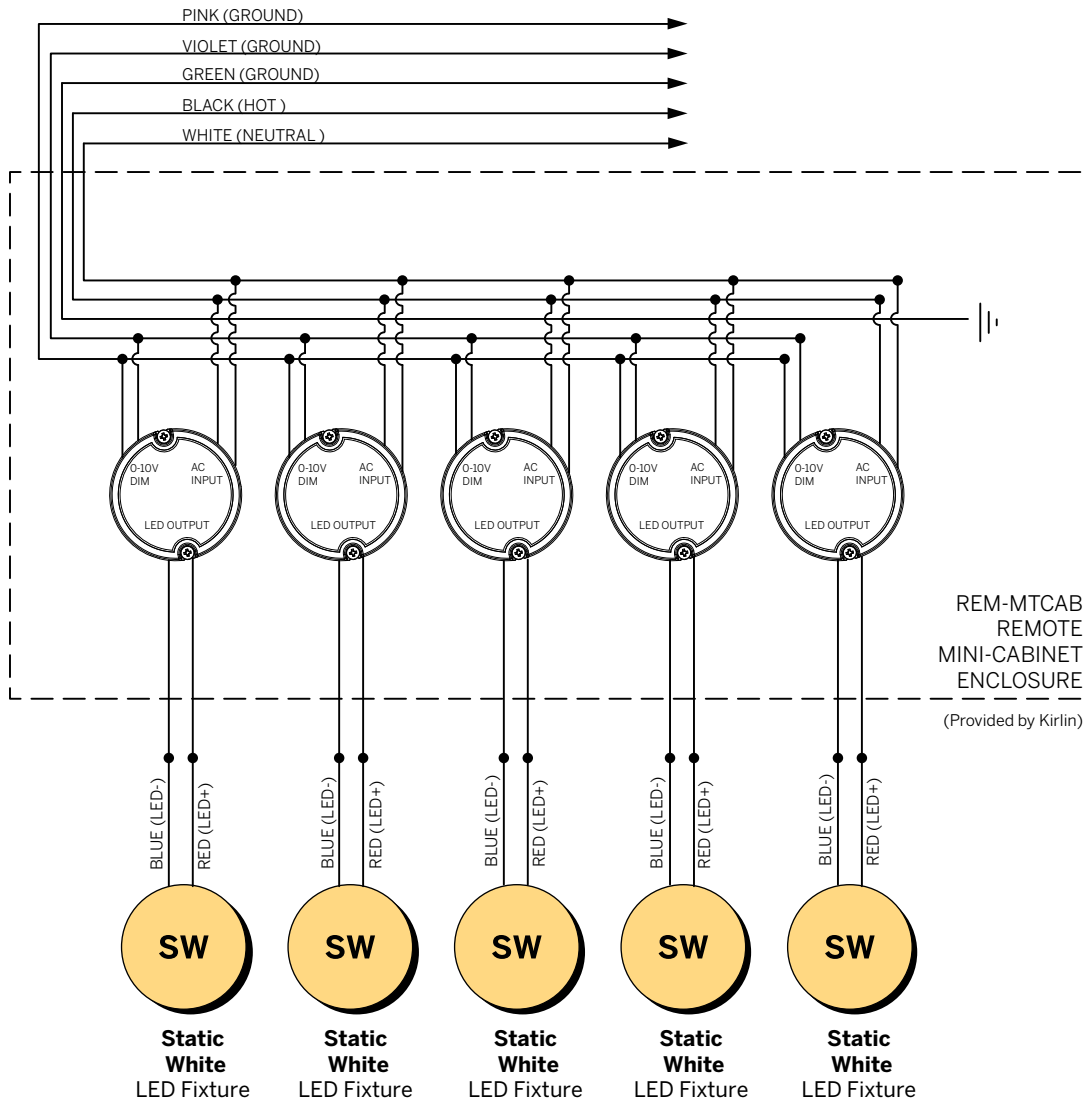
Ordering Configuration

(Example: REM-MTCAB-0060N-4-D0)

Must Specify				Optional
Model	Driver Current	Driver Count	Dimming*	Other Options
REM-MTCAB				
	0360T: 7W task light driver for 300L 0170T: 7W task light driver for 150L 0350N: 4W step light driver 0060N: 2W night light driver for HO 0030N: 2W night light driver for LO	-1: 1 driver -2: 2 drivers -3: 3 drivers -4: 4 drivers -5: 5 drivers	-(Blank): Non-dimming driver (Only available with 0350N, 0060N, 0030N) -D1: 0-10V 1.0% dim	(Blank): None

Wiring Diagram

(5 Max) Dimmable LED drivers 0-10V / 1.0%



Wiring Diagram

(5 Max) ON/OFF LED drivers

