

CATALOG #	TYPE	
JOB NAME	WATTAGE	VOLTAGE

Remote Mini-Cabinet

Accessible Power Supply for Dynamic White LED Fixtures

REM-DWCAB

1 or 2 drivers per cabinet • Plenum Rated

Specifications

Remote Driver Cabinet

- 21-7/8" x 4-3/8" x 2-3/4" carbon steel enclosure supports a variety of driver types, see ordering info on page 2 for more detailed driver information.
- Wall mounted or plenum mounted on ceiling grid, enclosure fabricated from 16 gauge steel. Includes flat, removable cover fastened with plated steel screws. Cover design permits easy removal. Mounting holes on back of cabinet. Removable knockouts on all four sides.
- 1/2" and 3/4" knockouts

LED Driver - REMOTE

- Indoor: -20°C to 50°C (-4°F to 122°F)
- 0-10V CCR Dynamic White LED Driver (See ordering configuration for color tuning and dimming options)
- Voltage: 120-277/50-60Hz; load insensitive
- Maximum mounting distance up to 250' away from fixtures
- Low voltage cabling from driver to fixtures



UL, C-UL (Canada) & FCC Compliance

- NEMA 1 rating (cabinet)
- FCC Part 15 certified for EMI/RFI emissions

FIVE YEAR Limited Warranty



- Complete remote driver cabinet with included drivers and hardware

Maintenance and Future-Proofing

- M1 maintenance level standard- Phillips head screwdriver, and/or a basic wrench needed
- Lighthead, driver replaceable through the aperture of the fixture with quick-connections, no soldering required
- Backed by Kirlin's [25-Year Legacy Support Guarantee](#)

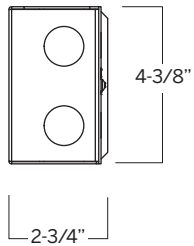


Available Maintenance Levels

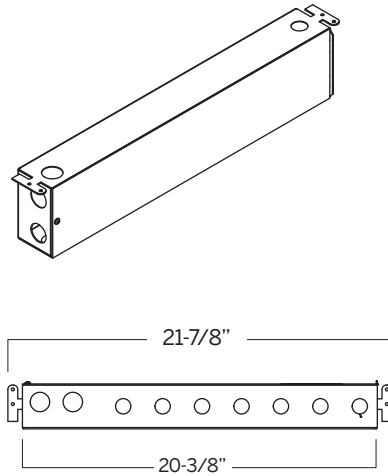
Level	Option	Tools Required to Service LED Module and Driver
 M1	Standard	 <ul style="list-style-type: none"> • Phillips head screwdriver, and/or a basic wrench needed

Dimensions

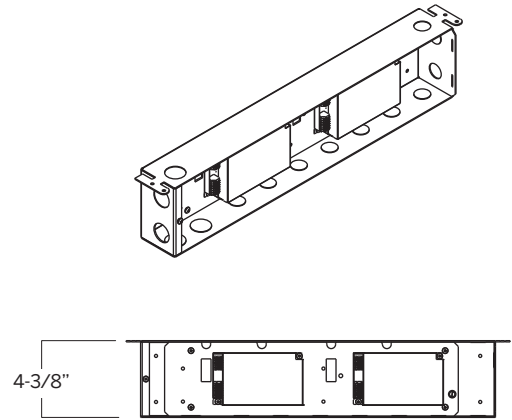
END VIEW



ISOMETRIC AND SIDE VIEW



OPEN COVER VIEWS



Note: REM-DWCAB is available with up to 2 50W two channel drivers

Ordering Configuration

(Example: REM-DWCAB-1400B-2-D2)

Must Specify				Optional
Model	Driver Current	Driver Count	Dimming	Other Options
REM-DWCAB				
	23 Watt Drivers -0080A: 80mA 23W driver -0120A: 120mA 23W driver 50 Watt Drivers -0160A: 160mA 50W driver -0240A: 240mA 50W driver -0250A: 250mA 50W driver -0320A: 320mA 50W driver -0350A: 350mA 50W driver -0500A: 500mA 50W driver -0560A: 560mA 50W driver -0700A: 700mA 50W driver -0788A: 788mA 50W driver -0840A: 840mA 50W driver -0910A: 910mA 50W driver -1050A: 1050mA 50W driver -1138A: 1138mA 50W driver -1190A: 1190mA 50W driver	-1: 1 driver -2: 2 drivers	-TW: Dual 0-10V Tunable White control with 0.1% dimming -TW7: DALI dual drive 0.1% tunable white dimming driver instead -TW8: DALI DT8 dual drive 0.1% tunable white dimming driver instead -WD: Warm Dimming 0-10V control with 0.1% dimming; N/A for Option -6527 -WD7: DALI 0.1% warm dimming driver instead; N/A for Option -6527	(Blank): None -E15: Remote emergency micro-inverter: 50W max load; 90+ minutes run time -EMI: Remote emergency mini-inverter: 125W max load; 90+ minutes run time

Wiring Diagram

(2) 50W Compact Tunable White Drivers

