



Installation Guide/Owner's Manual

REM-DMXPS Mini Cabinet

Technical Support: 313-259-6400, Press 5

1.0	Owner/User Responsibility	2
2.0	Safety & Important Information	2
3.0	Standards & Compliance	2
4.0	Electrical Requirements	3
5.0	Before You Begin	3
6.0	Mounting	4
7.0	Driver Wiring	4-5
8.0	Fixture Wiring	5-6
9.0	DMX Data Wiring	6
10.0	Cover Installation	7
11.0	Driver Service	7
12.0	User Notes	8



INSTALLATION GUIDE/OWNER'S MANUAL

1.0 OWNER/USER RESPONSIBILITY

It is the responsibility of the contractor, installer, buyer, owner and user to install, maintain, and operate the Kirlin REM-DMXPS mini cabinet in accordance with all applicable laws, regulations and local electrical safety authority requirements.

This product is only to be installed by a qualified electrician.

IMPORTANT!

Thoroughly read the entire instructions guide and warnings before beginning installation. The instructions provided are intended to assist in the installation and service of the corresponding product. Failure to follow the instructions may result in product malfunction, damage, injury or death. Contact your Kirlin service representative for replacement parts and procedures.

2.0 SAFETY & IMPORTANT INFORMATION



Risk of fire or electric shock. Ensure all power is disconnected during installation process. Refer to wiring diagrams to prevent damages and malfunctions.



The REM-DMXPS mini cabinet may only be connected and installed by a qualified electrician. This system requires knowledge of luminaires and electrical systems. If not qualified, do not attempt installation or maintenance. All applicable regulations, legislation, and building codes must be observed.



Connecting fixtures with power **ON** will “hot plug” the LEDs and cause damage.



To prevent wiring damage or abrasion, do not expose wiring to edges metal or other sharp objects.

3.0 STANDARDS & COMPLIANCE

UL Listed	UL XX
Restriction of hazardous substances	RoHS Compliant

4.0 ELECTRICAL REQUIREMENTS (Per Installed Driver)

Nominal input voltage range AC	120 – 277V
Input frequency range	50 – 60Hz
Maximum wattage	50W

5.0 BEFORE YOU BEGIN

Before You Begin

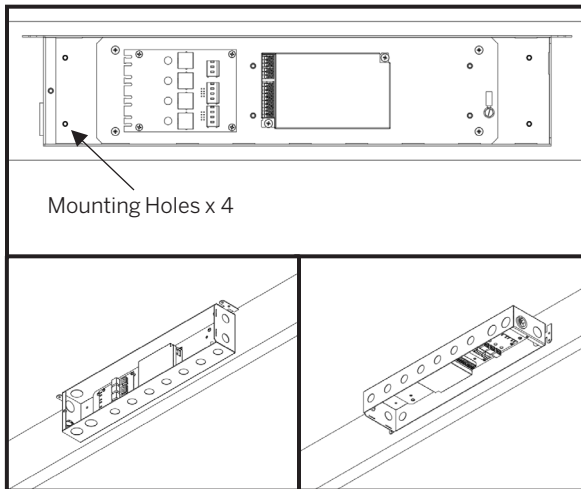
- Shut OFF power at fuse box or circuit breaker before installation, inspection or removal.
- To reduce the risk of fire or electric shock, NEVER interconnect or short output terminations.

Environmental Conditions

Module operating ambient temperature (Ta) range	-20°C to +50°C
All components	Damp or dry listed

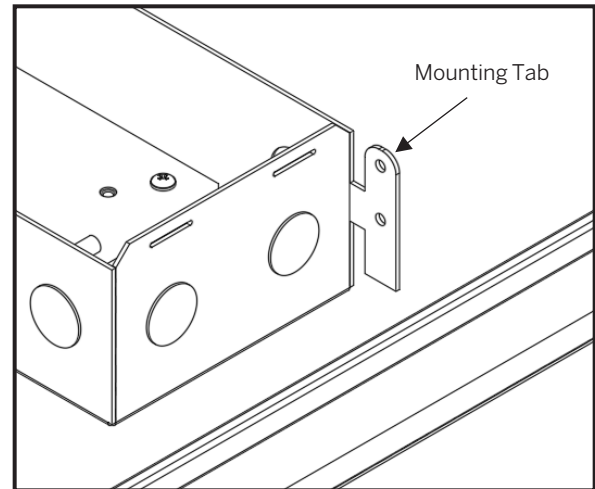
6.0 MOUNTING

Surface Mounting



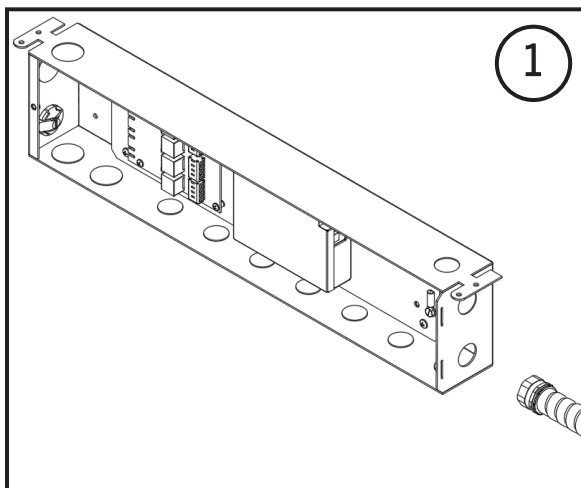
For surface plenum mounting, install supplied mini cabinet to joist using #8 wood screws x 4 (supplied by others) through the mounting holes on the mini cabinet or mounting tabs.

Grid Ceiling Mounting



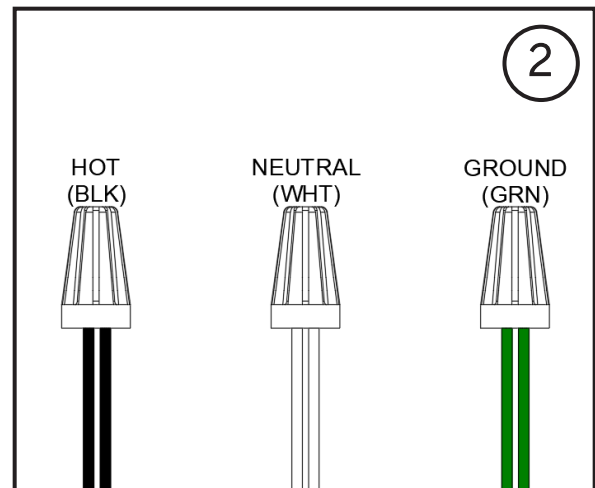
For grid plenum mounting, install supplied mini cabinet by resting brackets onto grid and securing using hanger wire (supplied by others). Mounting tabs can be bent as needed.

7.0 DRIVER WIRING



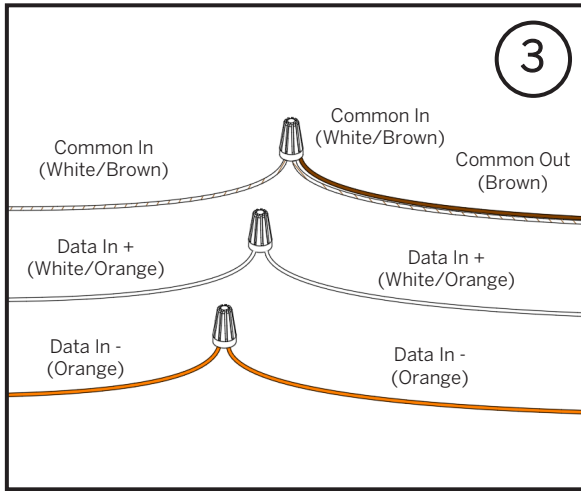
Remove knockout depending on conduit location and run conduit and wire to housing.

Use separate knockouts for data and inline voltage wires.



Connect line (black), neutral (white), and ground (green) wires to corresponding incoming supply wires using wire nuts (supplied by others).

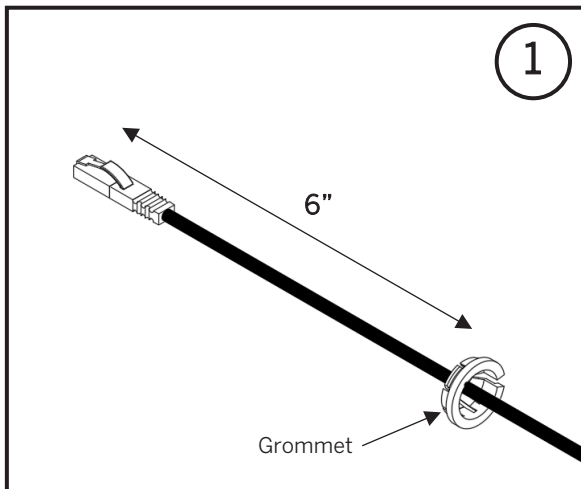
7.0 DRIVER WIRING (Continued)



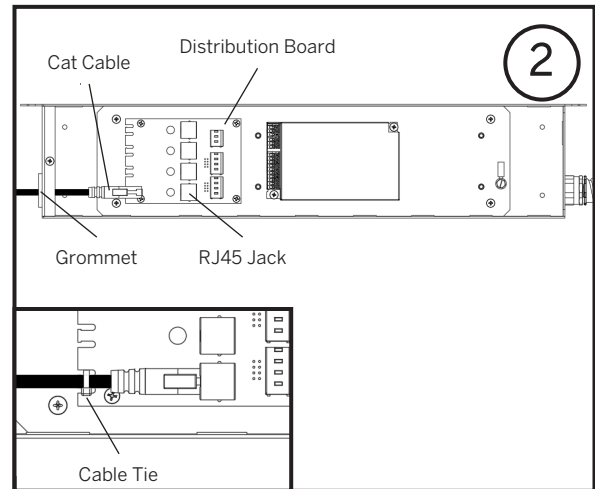
Driver	Controller
Common In (White/Brown)	Common In (White/Brown)
	Common Out (Brown)
Data In + (White/Orange)	Data In + (White/Orange)
Data In - (Orange)	Data In - (Orange)

Connect driver DMX wires to controller using wire nuts.

8.0 FIXTURE WIRING



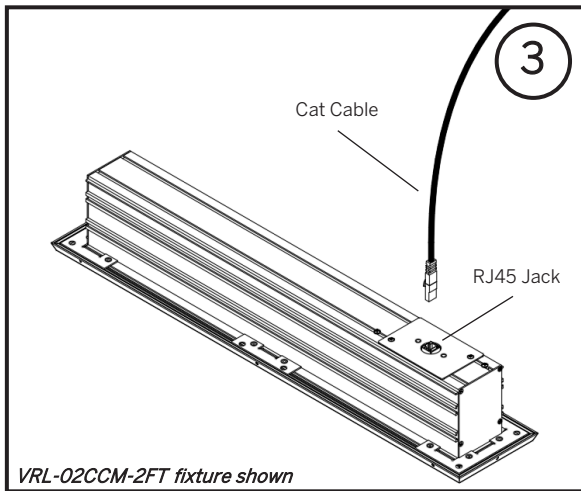
Attach supplied grommet to supplied shielded Cat cable 6 inches from end.



- A. Install grommet onto mini cabinet.
- B. Connect one end of shielded Cat cable into RJ45 jack on supplied distribution board and strain-relief using supplied cable ties.

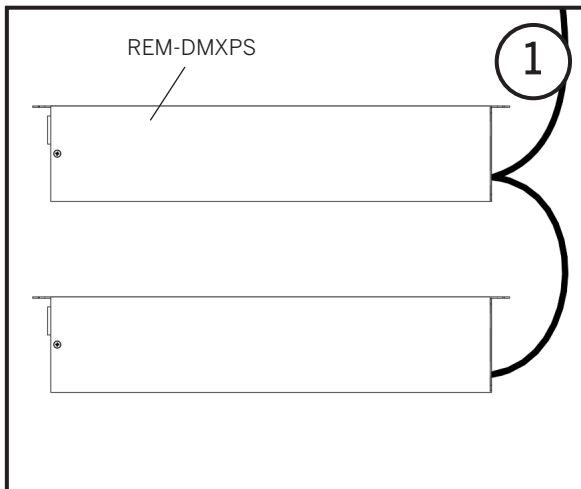
Note: 50 ft maximum total wire length for shielded Cat5e cable.

8.0 FIXTURE WIRING (Continued)



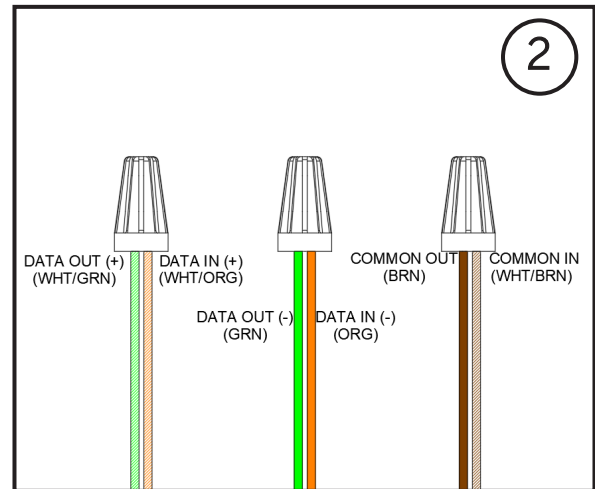
Connect other end of Cat cable into RJ45 jack on fixture.

9.0 DMX DATA WIRING



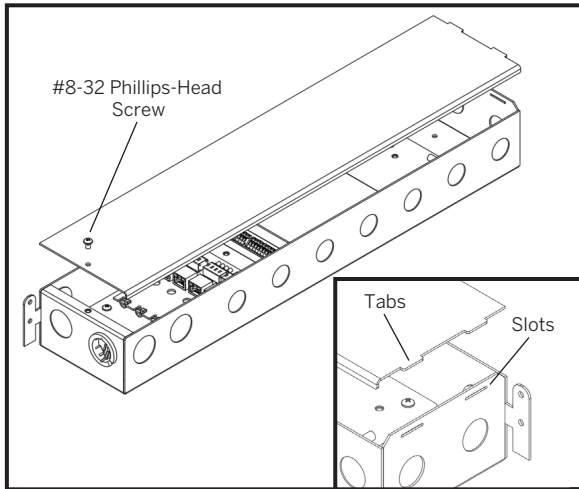
When connecting multiple REM-DMXPS units together, ensure proper wiring of data cables using wire nuts, storing connections inside mini cabinet.

Use separate knockouts for data and inline voltage wires.



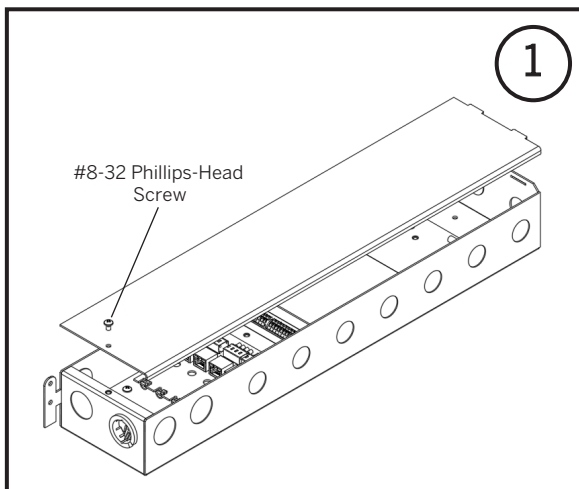
Ensure proper wiring of positive, negative, and common data wires. Connect terminating 120 Ω resistor (supplied by others) at the end of DMX chain.

10.0 COVER INSTALLATION

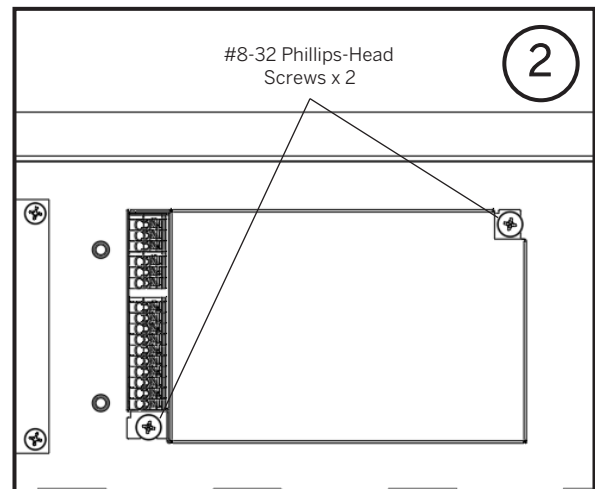


Install supplied cover to mini cabinet using supplied #8-32 Phillips-head screw. Ensure cover tabs are inserted into mini cabinet slots.

11.0 DRIVER SERVICE



Ensure all power is disconnected prior to service. For driver service, uninstall cover by removing #8-32 Phillips-head screw.



Make note and disconnect wire connections on driver. Remove #8-32 Phillips-head screws x 2 to uninstall driver. Repeat steps in reverse order for reinstallation.

12.0 USER NOTES