

CATALOG #	TYPE	
JOB NAME	WATTAGE	VOLTAGE

# Remote Mini-Cabinet

## Accessible Power Supply for RGBW LED Fixtures

### REM-DMXPS

1 driver per cabinet • Plenum Rated

## Specifications

### Remote Driver Cabinet

- 21-7/8" x 4-3/8" x 2-3/4" carbon steel enclosure supports a variety of driver types, see ordering info on page 2 for more detailed driver information.
- Wall mounted or plenum mounted on ceiling grid, enclosure fabricated from 16 gauge steel. Includes flat, removable cover fastened with plated steel screws. Cover design permits easy removal. Mounting holes on back of cabinet. Removable knockouts on all four sides.
- 1/2" and 3/4" knockouts

### LED Driver - REMOTE

- Indoor: -20°C to 50°C (-4°F to 122°F)
- Full color dimmable constant current RGBW LED driver DMX/RDM compatible
- Voltage: 120-277/50-60Hz; load insensitive
- Maximum mounting distance up to 250' away from fixtures
- Low voltage cabling from driver to fixtures



### UL, C-UL (Canada) & FCC Compliance

- NEMA 1 rating (cabinet)
- FCC Part 15 certified for EMI/RFI emissions

### FIVE YEAR Limited Warranty



- Complete remote driver cabinet with included drivers and hardware

### Maintenance and Future-Proofing

- M1 maintenance level standard- Phillips head screwdriver, and/or a basic wrench needed
- Lighthead, driver replaceable through the aperture of the fixture with quick-connections, no soldering required
- Backed by Kirlin's [25-Year Legacy Support Guarantee](#)

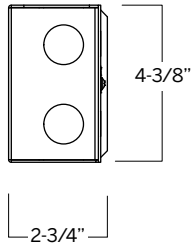


## Available Maintenance Levels

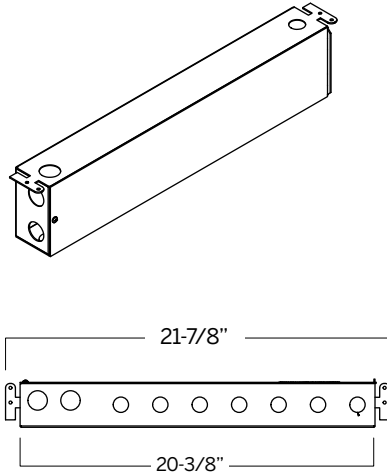
Level	Option	Tools Required to Service LED Module and Driver
 M1	Standard	 <ul style="list-style-type: none"> <li>• Phillips head screwdriver, and/or a basic wrench needed</li> </ul>

## Dimensions

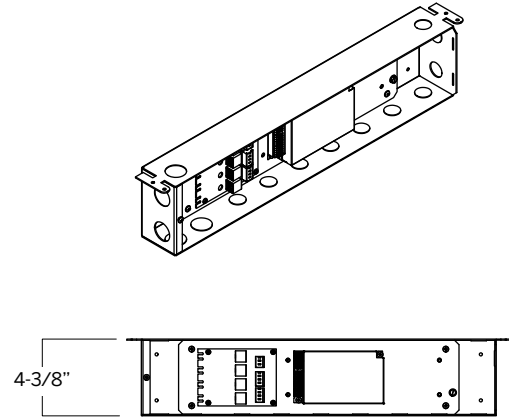
END VIEW



ISOMETRIC AND SIDE VIEW



OPEN COVER VIEWS



## Ordering Configuration

(Example: REM-DMXPS-6FT)

Must Specify	
Model	Fixtures
REM-DMXPS	<ul style="list-style-type: none"> <li>-2DL: (2) 750 lumen RGBW downlights, one DMX driver with four RJ45 cable jacks</li> <li>-3DL: (3) 750 lumen RGBW downlights, one DMX driver with four RJ45 cable jacks</li> <li>-4DL: (4) 750 lumen RGBW downlights, one DMX driver with four RJ45 cable jacks</li> <li>-4FT: 4FT of RGBW linear slot, one DMX driver with four RJ45 cable jacks</li> <li>-6FT: 6FT of RGBW linear slot, one DMX driver with four RJ45 cable jacks</li> <li>-8FT: 8FT of RGBW linear slot, one DMX driver with four RJ45 cable jacks</li> </ul>

# Wiring Diagram

(1) 100W DMX LED Driver

