

CATALOG #	TYPE	
JOB NAME	WATTAGE	VOLTAGE

# Patient Spaces | Empower CONNECT

## Empower Low Voltage Wall Station for Behavioral Health

Ligature resistant • 1-4 button configurations • Empowers patients to have safe and secure control of their environment • Momentary contact switch

### Specifications

#### Wall Station Features

- Wall-mounted lighting controller
- Up to 2 buttons in a single-gang faceplate, or up to 4 buttons in a double-gang faceplate with reducer plate, junction box provided by others, details in the dimensions
- IK10 impact and vandal resistant
- Easily cleaned with standard hospital-grade cleaning supplies
- Switches rated to Max 50 VAC/DC @ 1AMP

#### Customization

- The [Empower Wall Station Configurator](#) can help you specify the faceplate color, number of buttons, and optional faceplate label(s) (see option -LBL)

#### Faceplate

- Robust aluminum faceplate with rounded corners
- Tamper-resistant screws with center pin knockout, L key included
- White finish standard; optional colors
- Optional BioGard™ antimicrobial finishes

#### Buttons

- One, two, three, or four button configurations
- Buttons are independent momentary push-to-make switches, which can be integrated into lighting control systems (by others). Consult factory for recommendations.
- Smooth buttons sit flush with the faceplate for added safety
- Stainless steel buttons are naturally antimicrobial
- Optional screen printing for lighting zone labeling (see option -LBL for details)

#### Installation

- Recessed into a wall indoor or outdoor, covered locations

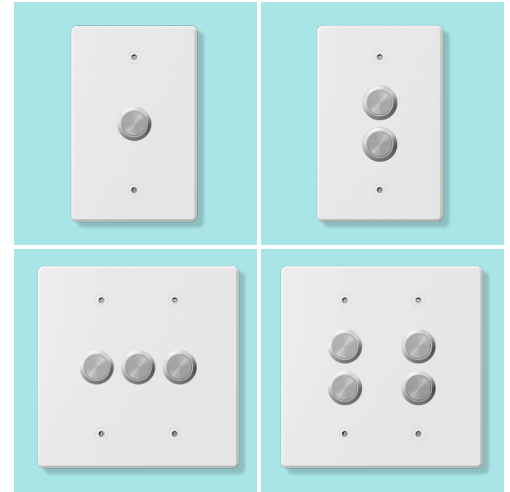
#### Mounting

- Single-gang and double-gang electrical box (not included)

#### UL, C-UL (Canada) Listings

- Wet, damp, or dry locations

# VCD-03LVC



#### FIVE YEAR Limited Warranty

- Complete switch

#### Maintenance and Future-Proofing

- M2 maintenance level standard- requires special center pin bit (supplied) for screw removal
- M3 maintenance level option if anti-pick caulking is applied
- Backed by Kirlin's [25-Year Legacy Support Guarantee](#)



## Available Maintenance Levels

Level	Option	Tools Required to Service LED Module and Driver
M2	Vandal	 • Phillips head screwdriver, and/or a basic wrench needed • Center pin hex bit (supplied) needed
M3	Optional field-applied caulk	 • Phillips head screwdriver, and/or a basic wrench needed • Center pin hex bit (supplied) needed • Blade needed if anti-pick caulking applied

Kirlin reserves the right to make changes without further notice to any products herein to improve reliability, function, or design. Kirlin does not assume any liability arising out of the application or use of any product described herein; neither does it convey any license under its patent rights, nor the rights of others.

## Options and Ordering Configuration

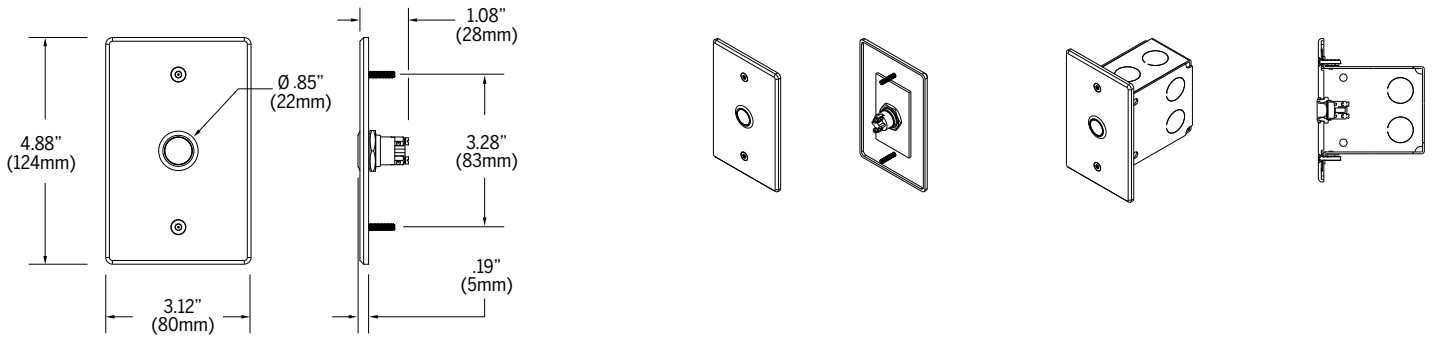
(Example: VCD-03LVC-BG)

Must Specify		Optional		
Model	Buttons	Dimming	Faceplate Finish Options	Other Options
VCD-03LVC				
	<p><b>-ONE:</b> One Button Configuration</p> <p><b>-TWO:</b> Two Button Configuration</p> <p><b>-THREE:</b> Three Button Configuration</p> <p><b>-FOUR:</b> Four Button Configuration</p>	<p><b>(Blank):</b> Momentary Push-to-Make (N.O.) switch</p> <p><b>-99:</b> Special modification; consult factory</p>	<p><b>(Blank):</b> Standard white finish</p> <p><b>Faceplate Finishes</b></p> <p><b>-35:</b> Silver enamel</p> <p><b>-37:</b> Dark Bronze enamel</p> <p><b>-38:</b> Black enamel</p> <p><b>-BG:</b> BioGard anti-microbial white</p> <p><b>-KBG:</b> BioGard anti-microbial black</p> <p><b>-94BG:</b> BioGard anti-microbial custom color finish</p> <p><b>-94:</b> Custom color; consult factory</p>	<p><b>(Blank):</b> None</p> <p><b>-99:</b> Special modification; consult factory</p> <p><b>-BA:</b> Buy America (BA, BAA) and Build America, Buy America (BABAA) compliant</p> <p><b>-LBL:</b> Screen printed labels for the buttons; Specify label for each button using the <a href="#">Empower Wall Station Configurator</a>.</p>

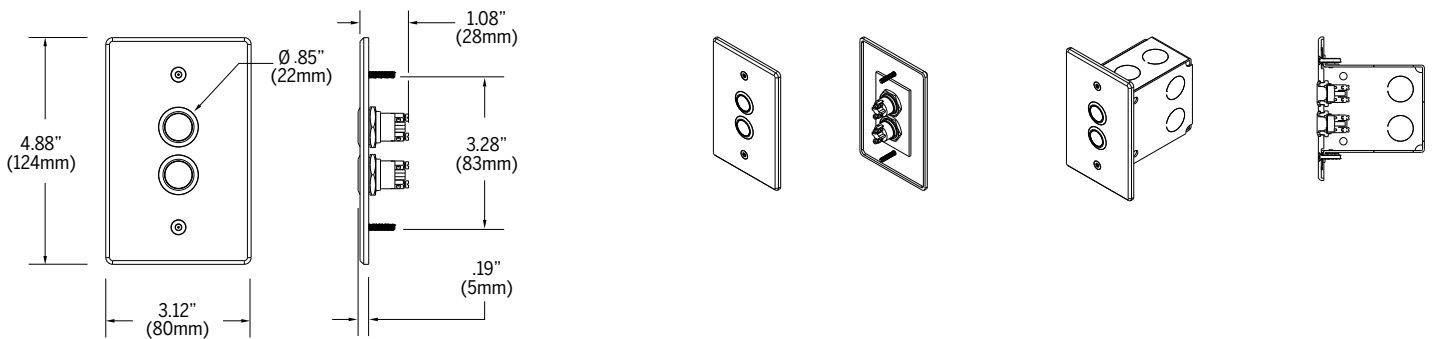
# VCD-03LVC

## DIMENSIONS

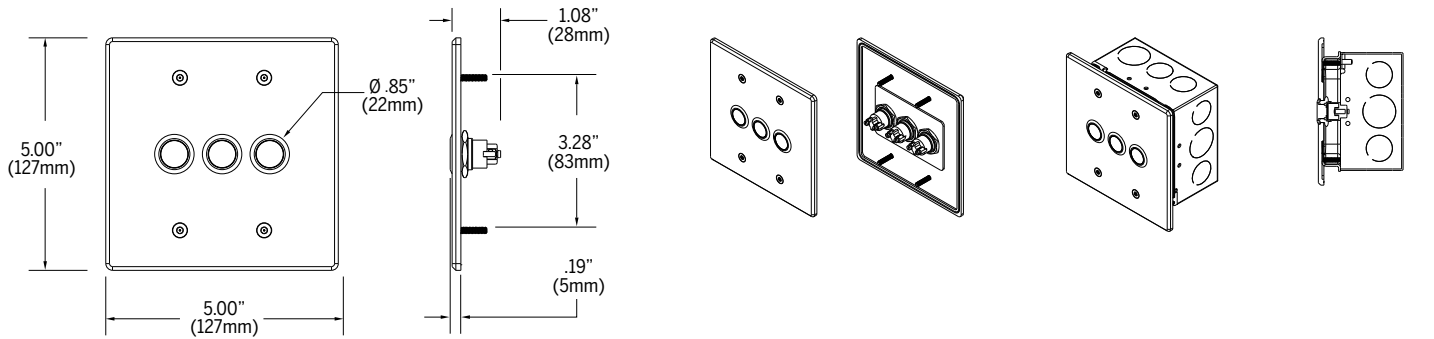
### VCD-03LVC-ONE / Single Gang J-Box By Others



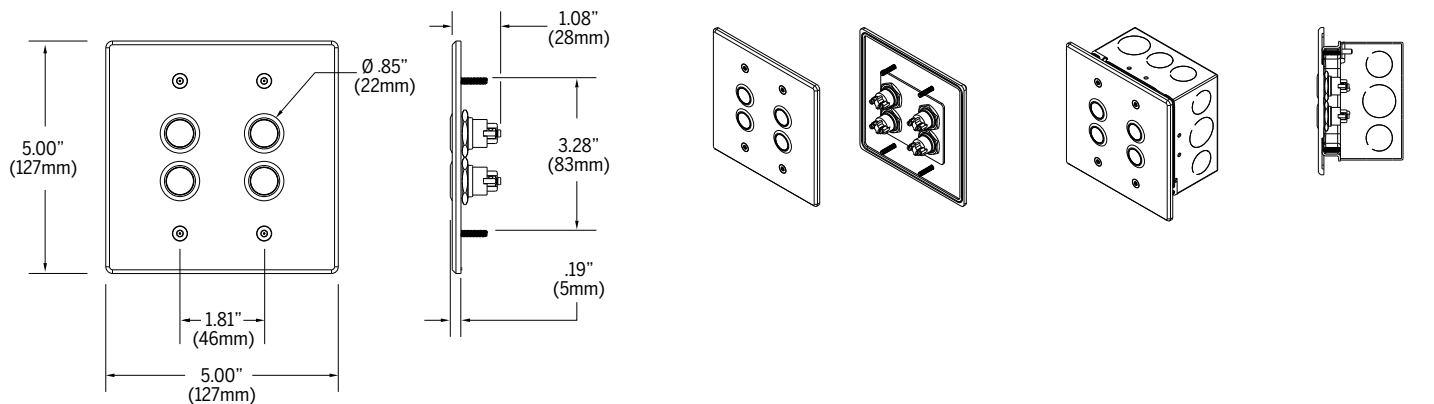
### VCD-03LVC-TWO / Single Gang J-Box By Others



### VCD-03LV-THREE / Double Gang J-Box By Others



### VCD-03LVC-FOUR / Double Gang J-Box By Others

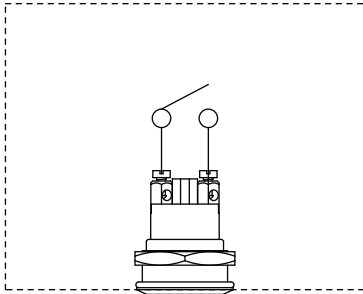


LIMITED WARRANTY: KIRLIN LIGHTING FIXTURES ARE WARRANTED FREE OF DEFECTS IN WORKMANSHIP OR MATERIAL FOR FIVE YEARS FROM DATE OF PURCHASE. INSTALL TO N.E.C. - IN NORMAL USE. Manufacturer at the option will replace or repair such fixture or refund the purchase price on presentation of proof of purchase and defective fixture at the office of manufacturer within five year so original shipment. Liability of manufacturer is limited to the foregoing, and manufacturer shall not be liable for any other damages, direct or indirect, sustained or suffered by purchaser or any person. This warranty is supplied to the buyer in place of all other warranties, expressed or implied. Seller does not warrant as to merchantability or fitness for a particular use, nor will any oral statement constitute a warranty or amend this specific warranty. Abnormal use, abuse of the fixture, improper installation, or repair, or modification of the fixture without prior written authorization from the manufacturer will render the warranty void.

PATENT SPACES  
 May 2026

## Wiring / Usage Details

- Momentary push to make (N.O. Momentary switch)
- Max 50 VAC/DC @ 1AMP
- -20 to +70 Deg C
- Sealing IP68 EN60529: 1992 + A2:2013
- ROHS Compliant



## Customization

- To customize your Empower Low Voltage Wall Station faceplate color, number of buttons, and optional faceplate label(s), go to the [Empower Wall Station Configurator](#) or contact the factory.
- [The Empower 0-10V Wall Station](#) is also customizable with the configurator
- To get started with the configurator, type in your project name and select "VCD-03LVC" from the drop-down list

## Button Configuration

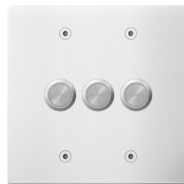
- Select the number of buttons desired before proceeding to the next step



**-ONE**  
One Button



**-TWO**  
Two Button



**-THREE**  
Three Button



**-FOUR**  
Four Button

## Custom Colors

- See page 6 for recommended custom color options

## Faceplate Label(s)

- Choose where your button label(s) will go then select a font for plate and/or button label(s).
  - Font options: Arial, Benton Sans, or Times New Roman
  - Font colors: Black or White (automatically chosen based on faceplate color)
- Select where the plate and/or button label(s) will go (placement options will vary depending on button configuration)
- Type plate and/or button label(s) and view previews on the right of text field(s)
- See next page (page 5) for plate and/or button label(s) placement options for each button configuration.

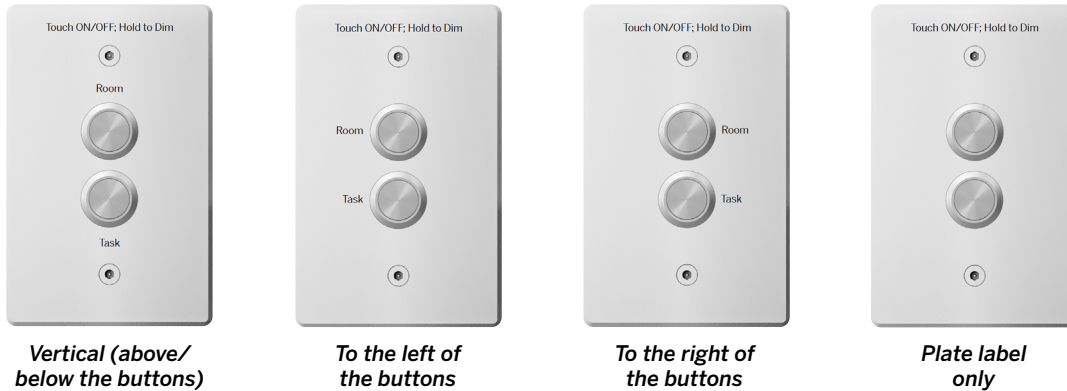
LIMITED WARRANTY: CATALOGED KIRLIN FIXTURES ARE WARRANTED FREE OF DEFECTS IN WORKMANSHIP OR MATERIAL FOR FIVE YEARS FROM DATE OF PURCHASE. INSTALLATION TO N.E.C. / IN-NORMAL USE. Manufacturer at the option will replace or repair such fixture or refund the purchase price on presentation of proof of purchase and defective fixture at the office of manufacturer within five years of original shipment. Liability of manufacturer is limited to the foregoing, and manufacturer shall not be liable for any other damages, direct or indirect, sustained or suffered by purchaser or any person. This warranty is supplied to the buyer in place of all other warranties, expressed or implied. Seller does not warrant as to merchantability or fitness for a particular use, nor will any oral statement constitute a warranty or amend this specific warranty. Abnormal use, abuse of the fixture, improper installation, or repair, or modification of the fixture without prior written authorization from the manufacturer will render the warranty void.

PATENT SPACES  
May 2026

**-ONE (One Button)**



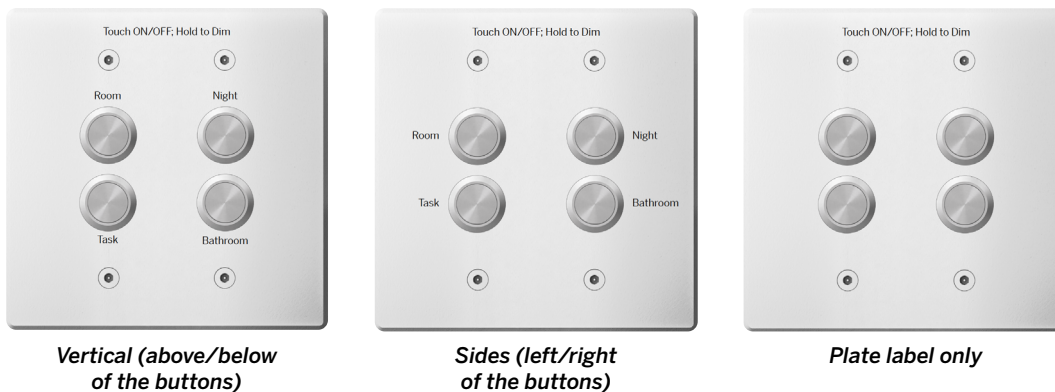
**-TWO (Two Button)**



**-THREE (Three Button)**



**-FOUR (Four Button)**



Custom labels shown on Empower Low Voltage Wall Station (VCD-03LVC). Due to variations in monitor settings and screen resolutions, the appearance of colors, textures, and details in the images may differ from the actual product.

LIMITED WARRANTY: CATALOGED KIRLIN FIXTURES ARE WARRANTED FREE OF DEFECTS IN WORKMANSHIP OR MATERIAL FOR FIVE YEARS FROM DATE OF PURCHASE. INSTALL TO N.E.C. IN NORMAL USE. Manufacturer at the option will replace or repair such fixture or refund the purchase price on presentation of proof of purchase and defective fixture at the office of manufacturer within five year of original shipment. Liability of manufacturer is limited to the foregoing, and manufacturer shall not be liable for any other damages, direct or indirect, sustained or suffered by purchaser or any person. This warranty is supplied to the buyer in place of all other warranties, expressed or implied. Seller does not warrant as to merchantability or fitness for a particular use, nor will any oral statement constitute a warranty or amend this specific warranty. Abnormal use, abuse of the fixture, improper installation, or repair, or modification of the fixture without prior written authorization from the manufacturer will render the warranty void.

PATIENT SPACES  
May 2026

## Recommended Custom Colors

The below colors match Kirlin's Scenic Patterns for a cohesive look throughout the space. To be used with option code -94.

### Calming Colors



Pale Marigold (-94PM)



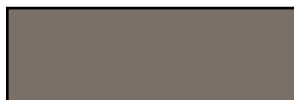
Peaceful Pine (-94PP)



Moonlit Bay (-94MB)



Dreamy Dusk (-94DD)



Mudstone Magic (-94MM)



Soft Slate (-94SS)

### Vibrant Colors



Electric Ember (-94EE)



Hot Orchid (-94HO)



Lemon Zing (-94LZ)



Kiwi Kick (-94KK)



Caribbean Lagoon (-94CL)



Cerulean Wave (-94CW)



Glam Grape (-94GG)

Custom colors shown on Empower Low Voltage Wall Station (VCD-03LVC). Due to variations in monitor settings and screen resolutions, the appearance of colors, textures, and details in the images may differ from the actual product.