

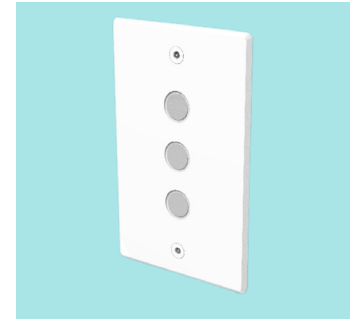
CATALOG #	TYPE	
JOB NAME	WATTAGE	VOLTAGE

# Lighting for Patient Spaces

## Empower 0-10V Wall Station for Behavioral Health

Ligature resistant • 1, 2, or 3 button configurations • Empowers patients to have safe and secure control of their environment

# VCD-03010



### Specifications

#### Wall Station Features

- Wall-mounted lighting controller
- Up to 3 buttons in a single-gang faceplate with reducer plate, junction box provided by others, details in the dimensions
- Touch sensitive on/off and full range dimming with the touch of a button
- Each button can control up to 1150W
- Flush-mounted buttons
- IK10 impact and vandal resistant
- Easily cleaned with standard hospital-grade cleaning supplies

#### Customization

- The [Empower Wall Station Configurator](#) can help you specify the faceplate color, number of buttons, and optional faceplate label(s) (see option -LBL)

#### Faceplate

- Robust aluminum faceplate with rounded corners
- Tamper-resistant screws with center pin knockout, L key included
- White finish standard; optional colors
- Optional BioGard™ antimicrobial finishes

#### Buttons

- One, two, or three button configurations
- Smooth buttons sit flush with the faceplate for added safety
- Stainless steel buttons are naturally antimicrobial
- Holding the switch will continuously dim the lighting zone down to the driver's lowest output, and then cycle back up to 100% output

- Tapping the switch will turn the lighting zone on (at the previous light level) or off
- Optional faceplate label(s) (see option -LBL for details)

#### Power Input

- 1.6W, 120/277V standard

#### Installation

- Recessed into a wall indoor or outdoor, covered locations

#### Mounting

- Electrical Box (Not Included), see details on pages 2-3
- Reducer Plate provided by Kirlin as needed
- Adjustable extension collar for 2 and 3 button stations for various drywall thicknesses from 1/2" to 1-1/4" standard
- 1 button station mounts directly to j-box

#### UL, C-UL (Canada) Listings

- Damp, or dry locations

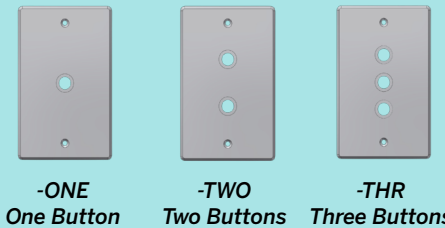
#### FIVE YEAR Limited Warranty

- Complete switch

#### Maintenance and Future-Proofing

- M2 maintenance level standard- requires special center pin bit (supplied) for screw removal
- M3 maintenance level option if anti-pick caulking is applied
- Lighthead, driver replaceable through

### Button Configurations



**-ONE**  
One Button

**-TWO**  
Two Buttons

**-THR**  
Three Buttons



<b>BABAA Compliant</b> See Option -BA	<b>IK10 Impact Resistant</b>	<b>Vandal Resistant</b>	<b>BioGard™</b> See Option -BG	<b>RoHS Compliant</b>	<b>UL Listed Damp, Dry</b>	<b>Maintenance Level M2</b>
--	------------------------------	-------------------------	-----------------------------------	-----------------------	----------------------------	-----------------------------

## Available Maintenance Levels

Level	Option	Tools Required to Service LED Module and Driver
<b>M2</b>	<b>Vandal</b>	 • Phillips head screwdriver, and/or a basic wrench needed • Center pin hex bit (supplied) needed
<b>M3</b>	<b>Optional field-applied caulk</b>	 • Phillips head screwdriver, and/or a basic wrench needed • Center pin hex bit (supplied) needed • Blade needed if anti-pick caulking applied

Kirlin reserves the right to make changes without further notice to any products herein to improve reliability, function, or design. Kirlin does not assume any liability arising out of the application or use of any product described herein; neither does it convey any license under its patent rights, nor the rights of others.

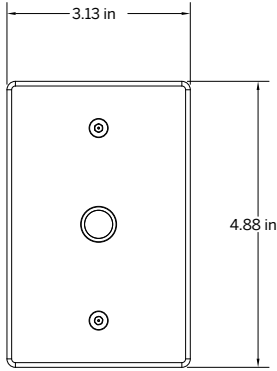
## Options and Ordering Configuration

(Example: VCD-03010-3SB-BG-LBL)

Must Specify		Optional		
Model	Buttons	Dimming	Faceplate Finish Options	Other Options
VCD-03010	<p><b>-ONE:</b> One Button Configuration</p> <p><b>-TWO:</b> Two Button Configuration</p> <p><b>-THR:</b> Three Button Configuration</p>	<p><b>(Blank):</b> 0-10V dimming</p> <p><b>-99:</b> Special modification; consult factory</p>	<p><b>(Blank):</b> Standard white finish</p> <p><b>Faceplate Finishes</b></p> <p><b>-35:</b> Silver enamel</p> <p><b>-37:</b> Dark Bronze enamel</p> <p><b>-38:</b> Black enamel</p> <p><b>-BG:</b> BioGard anti-microbial white</p> <p><b>-BKBG:</b> BioGard anti-microbial black</p> <p><b>-94BG:</b> BioGard anti-microbial custom color finish</p> <p><b>-94:</b> Custom color; consult factory</p>	<p><b>(Blank):</b> None</p> <p><b>-79:</b> Extension collar for thinner or thicker drywall; consult factory</p> <p><b>-99:</b> Special modification; consult factory</p> <p><b>-BA:</b> Buy America (BA, BAA) and Build America, Buy America (BABAA) compliant</p> <p><b>-LBL:</b> Faceplate label(s) for the top of the plate, and/or for each button. Specify text using the <a href="#">Empower Wall Station Configurator</a>.</p>

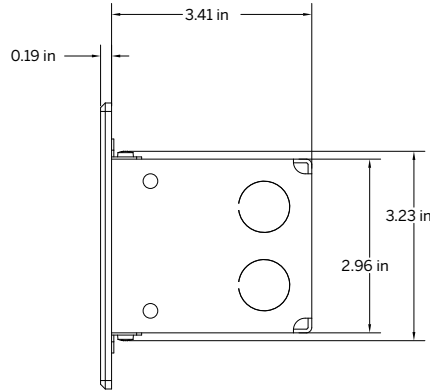
# Dimensions

-ONE: One Button Configuration

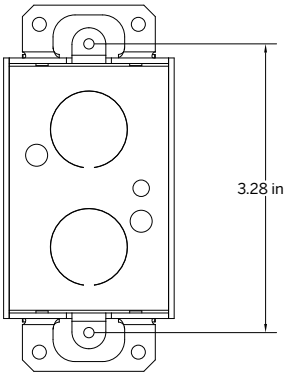
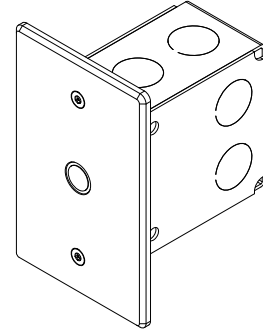


**Note: Security hardware included with control system**

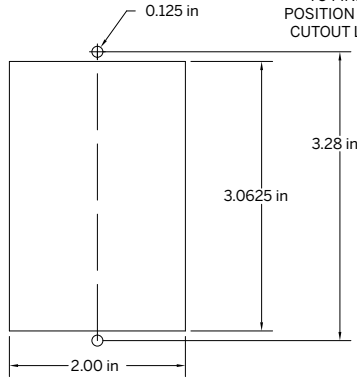
Note: No reducer plate or collar required for single gang set up. Plate mounts directly to box.



View with J-Box -  
J-Box provided by others



CUT OUT  
3-1/16" x 2"



\* USE SMALL AWL  
TO FIND HOLE  
POSITION BASED ON  
CUTOUT LOCATION

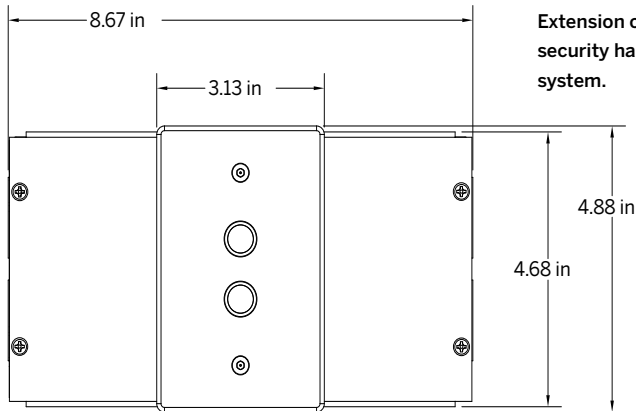
LIMITED WARRANTY: CATALOGED KIRLIN FIXTURES ARE WARRANTED FREE OF DEFECTS IN WORKMANSHIP OR MATERIAL FOR FIVE YEARS FROM DATE OF PURCHASE. INSTALLATION TO N.E.C. IS NORMAL USE. Manufacturer at the option will replace or repair such fixture or refund the purchase price on presentation of proof of purchase and defective fixture at the office of manufacturer within five years of original shipment. Liability of manufacturer is limited to the foregoing, and manufacturer shall not be liable for any other damages, direct or indirect, sustained or suffered by purchaser or any person. This warranty is supplied to the buyer in place of all other warranties, expressed or implied. Seller does not warrant as to merchantability or fitness for a particular use, nor will any oral statement constitute a warranty or amend this specific warranty. Abnormal use, abuse of the fixture, improper installation, or repair, or modification of the fixture without prior written authorization from the manufacturer will render the warranty void.

PATENT SPACES  
April 2026

## Dimensions

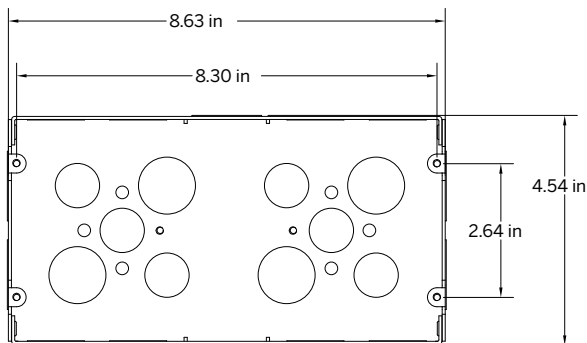
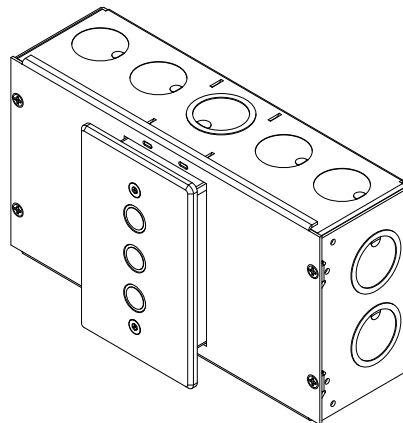
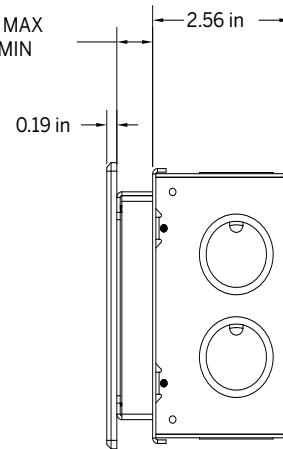
-TWO: Two Button Configuration  
-THR: Three Button Configuration

Installation requires 3-gang type box  
EX. GARVIN GB-2123 3-gang box or  
RACO 942 90 cubic inch 3-gang box  
(Provided by others)

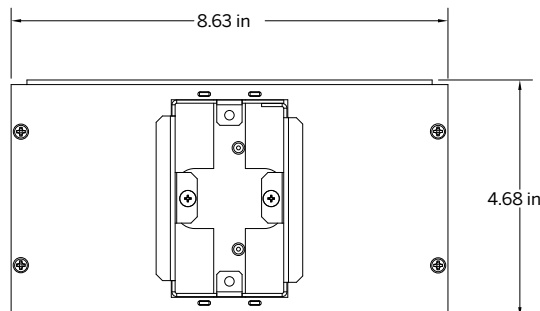
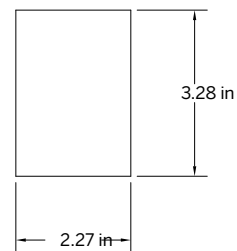


Extension collar, reducer plate, and security hardware included with control system.

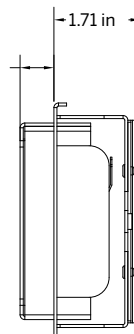
1-1/4 in MAX  
1/2 in MIN



CUT OUT  
3.28" x 2.27"



1-1/4 in MAX  
1/2 in MIN



Reducer plate assembly with extension collar

LIMITED WARRANTY: CATALOGED KIRLIN FIXTURES ARE WARRANTED FREE OF DEFECTS IN WORKMANSHIP OR MATERIAL FOR FIVE YEARS FROM DATE OF PURCHASE. INSTALLATION TO N.E.C. IN NORMAL USE. Manufacturer at the option will replace or repair such fixture or refund the purchase price on presentation of proof of purchase and defective fixture at the offices of manufacturer within five years of original shipment. Liability of manufacturer is limited to the foregoing, and manufacturer shall not be liable for any other damages, direct or indirect, sustained or suffered by purchaser or any person. This warranty is supplied to the buyer in place of all other warranties, expressed or implied. Seller does not warrant as to merchantability or fitness for a particular use, nor will any oral statement constitute a warranty or amend this specific warranty. Abnormal use, abuse of the fixture, improper installation, or repair, or modification of the fixture without prior written authorization from the manufacturer will render the warranty void.

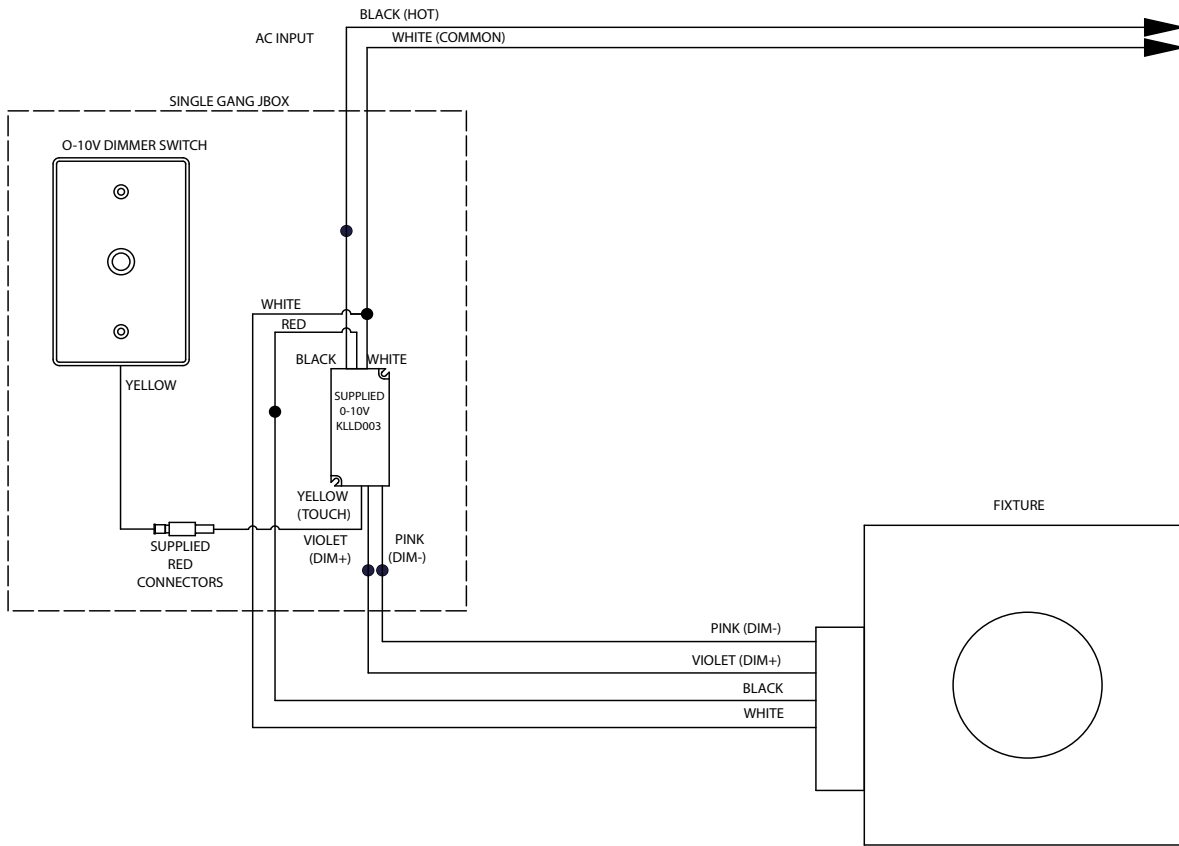
PATENT SPACES  
April 2026

# Wiring Diagrams

## -ONE: One Button Configuration

LIMITED WARRANTY: CATALOGED KIRLIN FIXTURES ARE WARRANTED FREE OF DEFECTS IN WORKMANSHIP OR MATERIAL FOR FIVE YEARS FROM DATE OF PURCHASE. INSTALLED TO N.E.C. - IN NORMAL USE. Manufacturer at the option will replace or repair such fixture or refund the purchase price on presentation of proof of purchase and defective fixture at the offices of manufacturer within five years of original shipment. Liability of manufacturer is limited to the foregoing, and manufacturer shall not be liable for any other damages, direct or indirect, sustained or suffered by purchaser or any person. This warranty is supplied to the buyer in place of all other warranties, expressed or implied. Seller does not warrant as to merchantability or fitness for a particular use, nor will any oral statement constitute a warranty or amend this specific warranty. Abnormal use, abuse of the fixture, improper installation, or repair, or modification of the fixture without prior written authorization from the manufacturer will render the warranty void.

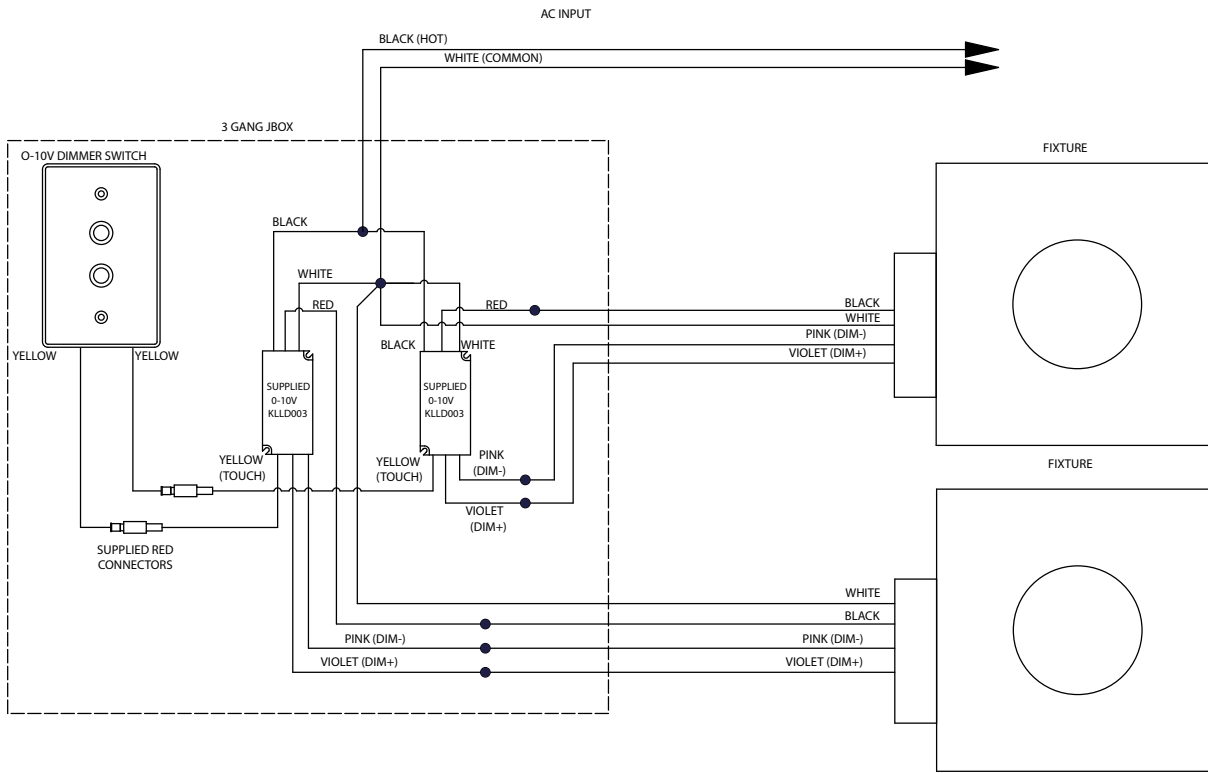
PATENT SPACES  
April 2026



● CONNECTION POINTS  
USE WITH WIRE NUTS  
(SUPPLIED BY OTHERS)

# Wiring Diagrams

## -TWO: Two Button Configuration



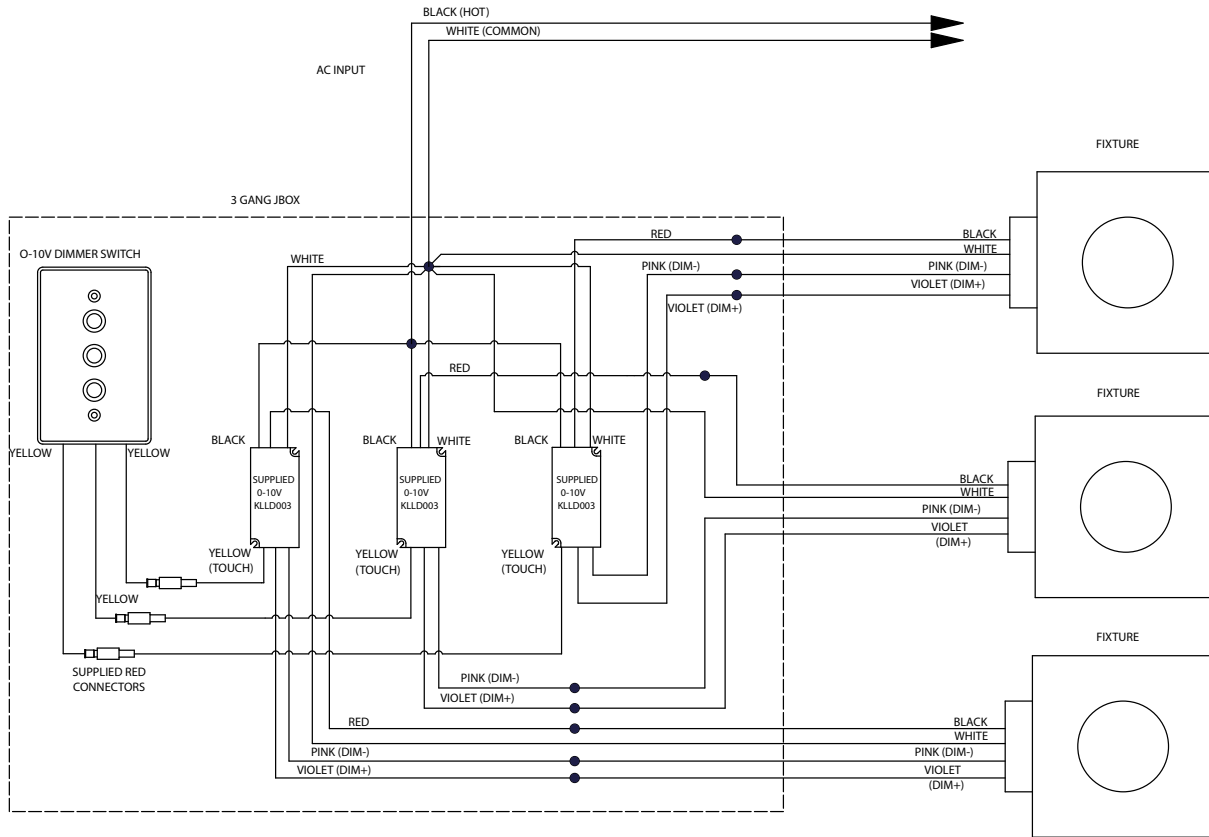
● CONNECTION POINTS  
USE WITH WIRE NUTS  
(SUPPLIED BY OTHERS)

LIMITED WARRANTY: CATALOGED KIRLIN FIXTURES ARE WARRANTED FREE OF DEFECTS IN WORKMANSHIP OR MATERIAL FOR FIVE YEARS FROM DATE OF PURCHASE. INSTALLED TO N.E.C. - IN NORMAL USE. Manufacturer at the option will replace or repair such fixture or refund the purchase price on presentation of proof of purchase and defective fixture at the office of manufacturer within five year of original shipment. Liability of manufacturer is limited to the foregoing, and manufacturer shall not be liable for any other damages, direct or indirect, sustained or suffered by purchaser or any person. This warranty is supplied to the buyer in place of all other warranties, expressed or implied. Seller does not warrant as to merchantability or fitness for a particular use, nor will any oral statement constitute a warranty or amend this specific warranty. Abnormal use, abuse of the fixture, improper installation, or repair, or modification of the fixture without prior written authorization from the manufacturer will render the warranty void.

PATIENT SPACES  
April 2026

# Wiring Diagrams

## -THE: Three Button Configuration



● CONNECTION POINTS  
USE WITH WIRE NUTS  
(SUPPLIED BY OTHERS)

LIMITED WARRANTY: CATALOGED KIRLIN FIXTURES ARE WARRANTED FREE OF DEFECTS IN WORKMANSHIP OR MATERIAL FOR FIVE YEARS FROM DATE OF PURCHASE. INSTALLATION TO N.E.C. IN NORMAL USE. Manufacturer at the option will replace or repair such fixture or refund the purchase price on presentation of proof of purchase and defective fixture at the office of manufacturer within five year so original shipment. Liability of manufacturer is limited to the foregoing, and manufacturer shall not be liable for any other damages, direct or indirect, sustained or suffered by purchaser or any person. This warranty is supplied to the buyer in place of all other warranties, expressed or implied. Seller does not warrant as to merchantability or fitness for a particular use, nor will any oral statement constitute a warranty or amend this specific warranty. Abnormal use, abuse of the fixture, improper installation, or repair, or modification of the fixture without prior written authorization from the manufacturer will render the warranty void.

PATIENT SPACES  
April 2026

## Recommended Custom Colors

The below colors match Kirlin's Scenic Patterns for a cohesive look throughout the space. To be used with option code -94.

### Calming Colors



Pale Marigold (-94PM)



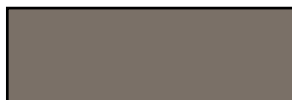
Peaceful Pine (-94PP)



Moonlit Bay (-94MB)



Dreamy Dusk (-94DD)



Mudstone Magic (-94MM)



Soft Slate (-94SS)

### Vibrant Colors



Electric Ember (-94EE)



Hot Orchid (-94HO)



Lemon Zing (-94LZ)



Kiwi Kick (-94KK)



Caribbean Lagoon (-94CL)



Cerulean Wave (-94CW)



Glam Grape (-94GG)

Custom colors shown on Empower 0-10V Wall Station (VCD-03010). Due to variations in monitor settings and screen resolutions, the appearance of colors, textures, and details in the images may differ from the actual product.