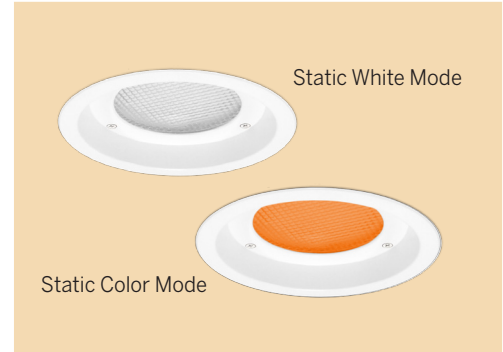


CATALOG #	TYPE	
JOB NAME	WATTAGE	VOLTAGE

Shoreview Series

Ambient+ IP66 Rated 6" Downlight • Two Color Switchable or Static Color LED
 Two Static Colors Available • Up to 60,000 Hour Life
 Wet Listed • LM-79 Certified • LM-80 Qualified

TRR-06454



Specifications

Delivered System Performance

- Nominal Lumens in static white mode, see page 3 for static color output: **Must Specify Type IC -1000L**
- Select trim: see chart
- Select static white color (CCT): see chart; 80+ CRI standard; Option -HC for 90+ (15% lumen loss)
- Select static color: Environmental yellow/amber (590nm) or Environmental red/orange (617nm) available
- True color, not phosphor converted
- No light emitted below 560nm in static color mode
- 60,000 hour life (L70)

Thermal Management System

- Aluminum heat sink and components for cool operation, long life, and low maintenance

LED Driver - INTERNAL

- Indoor/Outdoor: -30°C to 60°C (-22°F to 140°F)
- 0-10V CCR 1.0% dimming standard
- 120-277V / 50-60 Hz standard; load insensitive

Trim Assembly

- Smooth white seamless tapered aluminum self-flanged rigid cast trim (field paintable)
- Clear poly lens with black louver above
- Vandal and ligature resistant, see Option -25
- BioGard antimicrobial trim, see Option -BGT

IP66 Rated Sealed and Gasketed Trim

- Silicone seal between trim and lens seals lens to trim
- Closed cell gasketing on trim flange seals flange to ceiling
- O-rings on stainless steel fasteners seal fasteners to trim
- Meets ASTM E283 restricted airflow of 2CFM maximum

Acrylic Enameled Aluminum Housing

- Rustproof and corrosion resistant: exceeds 1000 hour ASTM 5% salt spray test
- Shallow depth fits restricted plenums
- Cool operation extends component life
- Modular design; visible and fully serviceable through aperture
- Built-in plaster flange

Outlet Box (Galvanized)

- UL Listed, 14GA, insulated, removable cover
- 1/2" and 3/4" knockouts

Installation & Hardware

- Indoor/outdoor in ceilings up to 1 1/8" thick
- Compatible with fire rated enclosures (by others)
- 27" hanger bars & adjusting brackets (2) supplied

UL, C-UL (Canada)

- Wet, damp or dry locations, covered ceilings
- Through-branch conductors (4 #12 AWG 90°C) for Type IC listings

IEC & FCC Compliance

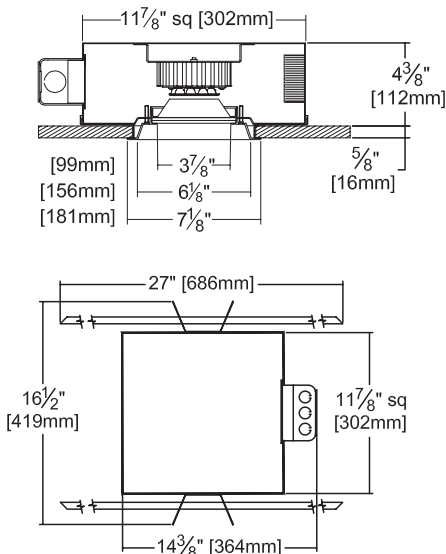
- Meets IEC/EN 60601-1-2 electromagnetic compatibility standard for medical electrical equipment
- FCC Part 15 certified for EMI/RFI emissions

FIVE YEAR Limited Warranty

- Complete standard fixture



Dimensions



Static Color Options

OPTION	LED COLOR	TYPICAL APPLICATION
-590	Yellow / Amber (590nm)	Turtle Friendly, Sleep-Supporting Circadian
-617	Amber (617nm)	Vivarium, Sleep-Supporting Circadian

Ambient+ Two Color Options and Ordering Configuration

(Example: TRR-06454-1000L-UNV-30K-590-D2-38T)

Must Specify				Optional				
Model	Lumens	Volts	White CCT	Static Color	Driver Options	Trim Options	Emergency Options	Other Options
TRR-06454	-1000L	-UNV -97†: Other Voltage	80+ CRI* -27K: 2700°K -30K: 3000°K -35K: 3500°K -41K: 4100°K -50K: 5000°K *Note: Lumen Factor = 0.93 for -27K 90+ CRI** -27K-HC: 2700°K -30K-HC: 3000°K -35K-HC: 3500°K -41K-HC: 4100°K -50K-HC: 5000°K **Note: Lumen Factor = 0.79 for -27K-HC; All Others = 0.85; Consult Factory	-590: 590nm Yellow/Amber; Turtle-friendly -617: 617nm Amber; Turtle-friendly	(Blank): 0-10V 1.0% dim; 2 outputs - Static White and Static Color -D2: 0-10V 0.1% dim; 2 outputs - Static White and Static Color	(Blank): Standard white trim; clear poly lens with black louver above Trim Finishes -35T: Silver enamel trim -37T: Dark bronze enamel trim -38T: Black enamel trim -94: Custom color; consult factory -BN: Brushed nickel cast trim Other Trim Features -25: Vandal resistant trim, hardware and lensing. Provides ligature and vandal resistance. Not available with NSF rating	(Blank): None -EI: Remote emergency inverter for 100% rated lumens; Run time: 90+ minutes; N/A for options -FS, -97	(Blank): None -99: Special modification; consult factory -FS: Fused primary; One per fixture; N/A for option -EI -SH: Sealed housing and junction box

†Consult factory

Static Color Options and Ordering Configuration

(Example: TRR-06454-1000L-UNV-617-EI)

Must Specify				Optional				
Model	Lumens	Volts	Static Color	Driver Options	Trim Options	Emergency Options	Other Options	
TRR-06454	-1000L	-UNV -97†: Other Voltage	-590: 590nm Yellow/Amber; Turtle-friendly -617: 617nm Amber; Turtle-friendly	(Blank): 0-10V 1.0% dim -D2: 0-10V 0.1% dim; Static Color	(Blank): Standard white trim; clear poly lens with black louver above Trim Finishes -35T: Silver enamel trim -37T: Dark bronze enamel trim -38T: Black enamel trim -94: Custom color; consult factory -BN: Brushed nickel cast trim Other Trim Features -25: Vandal resistant trim, hardware and lensing. Provides ligature and vandal resistance. Not available with NSF rating	(Blank): None -EI: Remote emergency inverter for 100% rated lumens; Run time: 90+ minutes; N/A for options -FS, -97 -ERH: Remote emergency battery pack; Delivers 1000 lumens; CEC Compliant; Run time: 90+ minutes	(Blank): None -99: Special modification; consult factory -FS: Fused primary; One per fixture; N/A for option -EI -SH: Sealed housing and junction box	

†Consult factory

LIMITED WARRANTY: CATALOGED KIRLIN FIXTURES ARE WARRANTED FREE OF DEFECTS IN WORKMANSHIP OR MATERIAL FOR FIVE YEARS FROM DATE OF PURCHASE. INSTALLATION, E.G., IN NORMAL USE. Manufacturer at the option will replace or repair such fixture or refund the purchase price on presentation of proof of purchase and defective fixture at the offices of manufacturer within the years of original shipment. Liability of manufacturer is limited to the foregoing and manufacturer shall not be liable for any other damages, direct or indirect, sustained or suffered by purchaser or any person. This warranty is applied to the buyer in place of all other warranties, expressed or implied. Seller does not warrant as to merchantability or fitness for a particular use, nor will any oral statement constitute a warranty or amend this specific warranty. Abnormal use, abuse of the fixture, improper installation, or repair or modification of the fixture without prior written authorization from the manufacturer will render the warranty void.

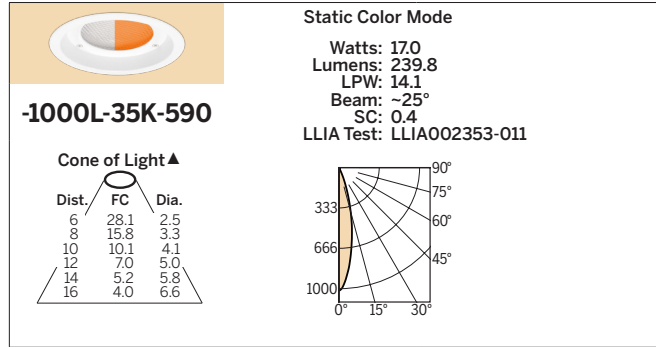
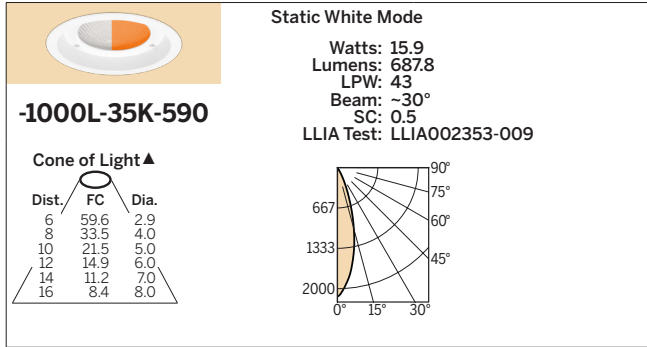
SHOREVIEW
APRIL 2024

Photometry - Ambient+ Two Color Switchable - Installed Complete Fixture

LM-79 IESNA Certified Photometry from Independent Lab

Ambient+ Two Color

CCT-STATIC COLOR	COLOR LUMENS	COLOR LUMEN FACTOR	MAXIMUM WATTAGE†
-CCT-590	239.8	1.00	17.0
-CCT-617	437.6	1.83	17.5



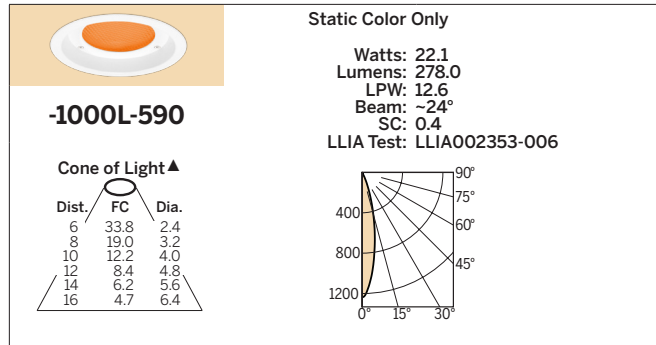
† Maximum wattage is in static color mode. For static white wattage, please see photometry below.
* See notes on page 1 for additional info on Lumen Factors

Photometry - Static Color - Installed Complete Fixture

LM-79 IESNA Certified Photometry from Independent Lab

Static Color

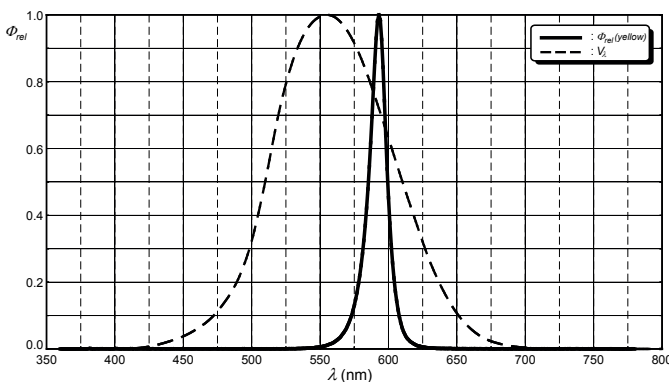
STATIC COLOR	COLOR LUMENS	COLOR LUMEN FACTOR	NOMINAL WATTS	LPW
-590	278.0	1.00	22.1	12.6
-617	507.4	1.83	22.4	22.7



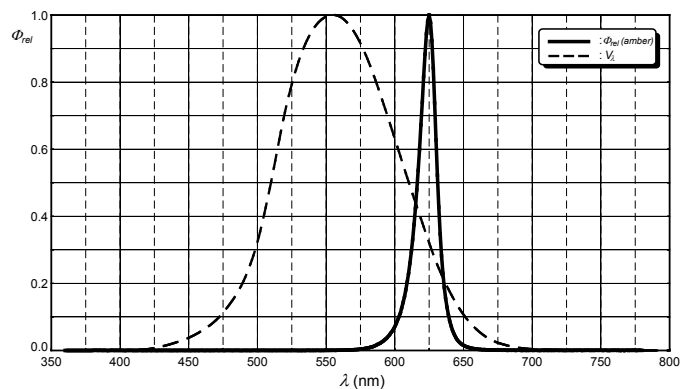
LED Spectral Emissions

— LED Output
- - - Human Eye Perception

Environmental Yellow / Amber
590nm peak (583nm min, 595nm max)



Option -ERO (Environmental Red / Orange)
617nm peak (609nm min, 624nm max)

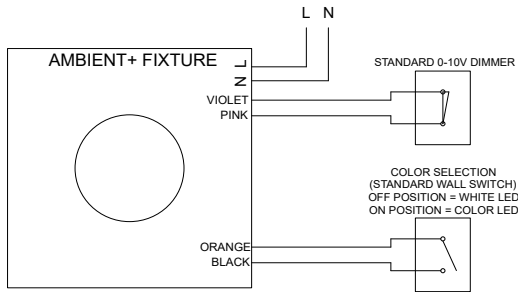


LED manufacturers maintain a tolerance of +/-7% on flux (lumens) and power (electrical) measurements.

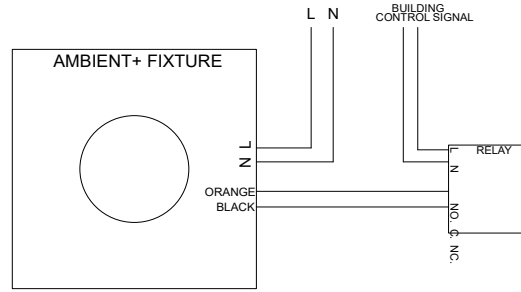
LIMITED WARRANTY: CATALOGED KIRLIN FIXTURES ARE WARRANTED FREE OF DEFECTS IN WORKMANSHIP OR MATERIAL FOR 5 YEARS FROM DATE OF PURCHASE. INSTALLED TO N.E.C. / IN NORMAL USE. Manufacturer at the option will replace or repair such fixture or refund the purchase price on presentation of proof of purchase and defective fixture at the offices of manufacturer within the 5 years of original shipment. Liability of manufacturer shall not be liable for any other damages, direct or indirect, sustained or suffered by purchaser or any person. This warranty is applied to the buyer in place of all other warranties, expressed or implied. Seller does not warrant as to merchantability or fitness for a particular use, nor will any oral statement constitute a warranty or amend this specific warranty. Abnormal use, abuse of the fixture, improper installation, or repair or modification of the fixture without prior written authorization from the manufacturer will render the warranty void.

Ambient+ Two Color Switchable - Example Wiring Diagrams

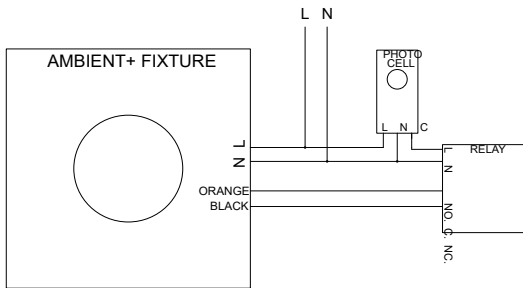
Basic Color Selection



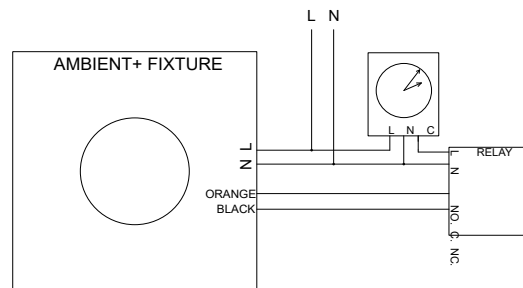
Building Control of White vs. Color



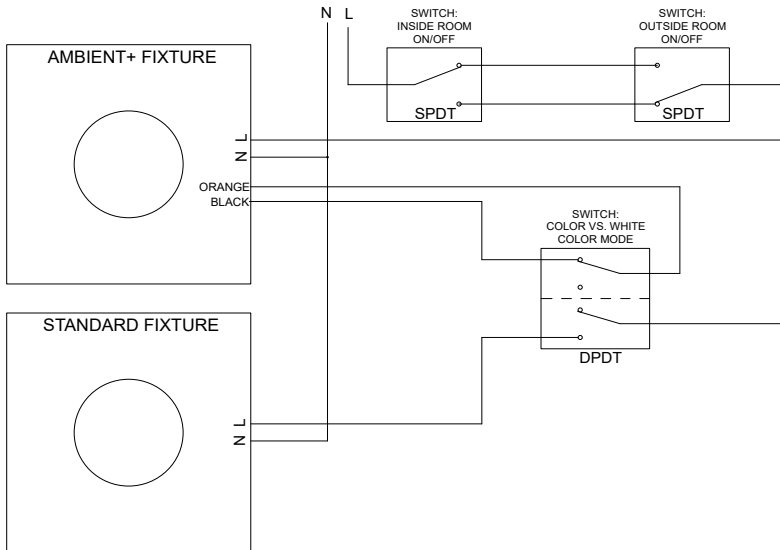
Photocell Control of White vs. Color



Timer Control of White vs. Color



Room Example with a Mix of Fixture Types



LIMITED WARRANTY: KIRLIN LIGHTING FIXTURES ARE WARRANTED FREE OF DEFECTS IN WORKMANSHIP OR MATERIAL FOR FIVE YEARS FROM DATE OF PURCHASE. INSTALL TO N, E, C. IN NORMAL USE. Manufacturer at his option will replace or repair such fixture or refund the purchase price on presentation of proof of purchase and defective fixture to the offices of manufacturer within the means of original shipment. Liability of manufacturer is limited to the foregoing and manufacturer shall not be liable for any other damages, direct or indirect, sustained or suffered by purchaser or any person. This warranty is supplied to the buyer in place of all other warranties, expressed or implied. Seller does not warrant as to merchantability or fitness for a particular use, nor will any oral statement constitute a warranty or amend this specific warranty. Abnormal use, abuse of the fixture, improper installation, or repair or modification of the fixture without prior written authorization from the manufacturer will render the warranty void.