

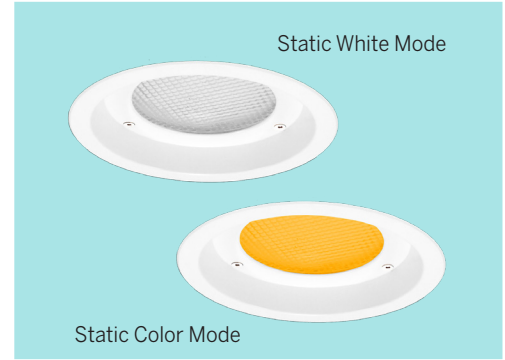
| | | |
|-----------|---------|---------|
| CATALOG # | TYPE | |
| JOB NAME | WATTAGE | VOLTAGE |

Lighting for Patient Spaces

Ambient+ Ligature/Vandal Resistant 6" Downlight Two Color Switchable or Static Color LED

Six Static Colors Available • Up to 90,000 Hour Life
Antimicrobial Trim • LM-80 Qualified • LM-79 Certified Photometry

MRV-06868



Specifications

Delivered System Performance*

- Lumen Series: **Must Specify**
Type IC
-1000L
- Select trim: see chart
- Beam distribution: WFL
- Select static white color (CCT): see chart; 80+ CRI standard; Option -HC for 90+ (15% lumen loss)
- Select static color: see chart
- 60,000 hour life (L70)
- Fully sustainable: removable for servicing

Thermal Management System

- Aluminum heat sink and components for cool operation, long life, and low maintenance

LED Driver - INTERNAL

- Indoor/Outdoor: -30°C to 60°C (-22°F to 140°F)
- 0-10V CCR 1.0% dimming standard
- 120-277V / 50-60 Hz standard; load insensitive

Trim and Lens Assembly

- Ligature resistant smooth white seamless tapered aluminum self-flanged rigid cast trim
- Kirlin BioGard™ antimicrobial white finish continuously inhibits growth of bacteria on the coating of the trim
- Flush center pin tamperproof hex screws and captive nuts secure trim to housing; tamperproof tool included
- High strength microprismatic acrylic above .220" clear flat polycarbonate lens.
- Continuous ring secures lens to trim

Acrylic Enamelled Aluminum Housing

- Rustproof: exceeds 1000 hour ASTM 5% salt spray test; all components fully sustainable
- Shallow depth fits restricted plenums
- Cool operation extends component life
- Modular design; visible and fully serviceable through aperture
- Built-in plaster flange

Outlet Box (Galvanized)

- UL listed J-box with insulated removable cover; prewired 14 GA (NEC) with 1/2" and 3/4" knockouts

Installation & Hardware

- Indoor/outdoor in covered locations in ceilings up to 1 1/8" thick
- 27" galvanized hanger bars & adjustable mounting brackets (2) supplied

UL, C-UL (Canada) Listings

- Wet, damp or dry locations, covered ceilings
- Type IC: for direct contact with insulation
- Through-branch conductors (4 #12 AWG 90°C)

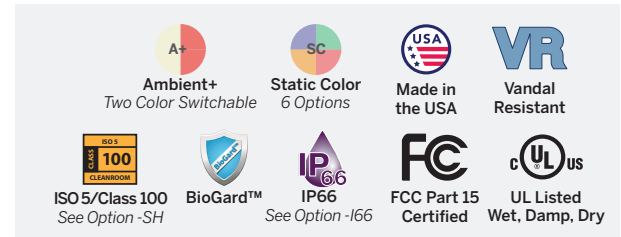
IEC & FCC Compliance

- Meets IEC/EN 60601-1-2 electromagnetic compatibility standard for medical electrical equipment
- FCC Part 15 certified for EMI/RFI emissions

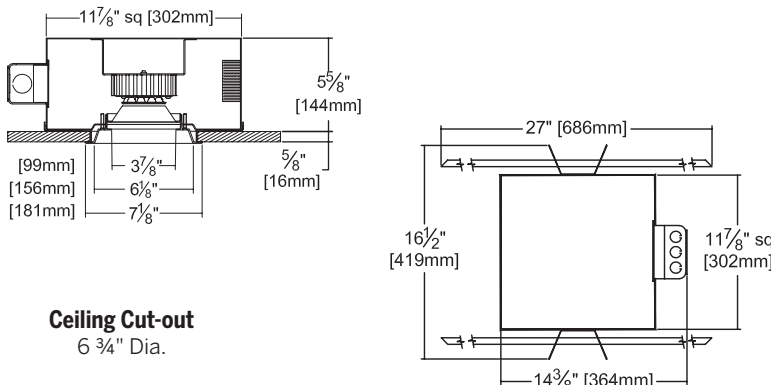
FIVE YEAR Limited Warranty

- Complete standard fixture

| Level | Option | Patient Safety | Infection Protection |
|-------|-------------|-------------------------------|---|
| 1+ | Standard | VR Vandal Resistant | BioGard™ |
| 2+ | -166 | VR Vandal Resistant | BioGard™ IP66 |
| 3+ | -166 -SH | VR Vandal Resistant | BioGard™ IP66 ISO 5/ Class 100 |



Dimensions



Static Color Options

| OPTION | LED COLOR | TYPICAL APPLICATION |
|--------|------------------------|---|
| -465 | Blue (465nm) | Backstage Theater, Public Safety |
| -521 | Green (521nm) | Operating Rooms |
| -590 | Yellow / Amber (590nm) | Turtle Friendly, Sleep-Supporting Circadian |
| -617 | Amber (617nm) | Vivarium, Sleep-Supporting Circadian |
| -634 | Red / Amber (634nm) | Sleep-Supporting Circadian |
| -660 | Red (660nm) | Darkroom, Laboratories |

Ambient+ Two Color Options and Ordering Configuration

(Example: MRV-06868-1000L-UNV-30K-HC-521-D2-I66-SH)

| Must Specify | | | | Optional | | | | |
|--------------|--------|-----------------------------|--|---|--|--|--|---|
| Model | Lumens | Volts | White CCT | Static Color | Driver Options | Trim Options | Emergency Options | Other Options |
| MRV-06868 | -1000L | -UNV -97†: Other Voltage | 80+ CRI* -27K: 2700°K -30K: 3000°K -35K: 3500°K -41K: 4100°K -50K: 5000°K *Note: Lumen Factor = 0.93 for -27K 90+ CRI** -27K-HC: 2700°K -30K-HC: 3000°K -35K-HC: 3500°K -41K-HC: 4100°K -50K-HC: 5000°K **Note: Lumen Factor = 0.79 for -27K-HC; All Others = 0.85; Consult Factory | -465: 465nm Blue; Theater and Public Safety -521: 521nm Green; Operating Rooms -590: 590nm Yellow/Amber; Turtle-friendly -617: 617nm Amber; Vivarium -634: 634nm Red/Amber; Circadian -660: 660nm Red; Darkrooms, Labs | (Blank): 0-10V 1.0% dim; 2 outputs - Static White and Static Color -D2: 0-10V 0.1% dim; 2 outputs - Static White and Static Color | (Blank): White tamper-resistant trim, high strength dual lens Trim Finishes -35T: Silver enamel (complete trim); (non BioGard™) -94: Custom color/finish; specify; (non BioGard™); consult factory -BN: Brushed nickel cast trim instead (non BioGard™) Other Trim Features -I66: IP66 Rated trim; also see Option -SH -WA: White acrylic (flat) diffuser above poly instead of microprismatic acrylic. Provides wide flood distribution. | (Blank): None -EI: Remote emergency inverter for 100% rated lumens; Run time: 90+ minutes; N/A for options -FS, -97 | (Blank): None -99: Special modification; consult factory -FS: Fused primary; One per fixture; N/A for option -EI -SH: Sealed housing and junction box; provides Cleanroom Rated luminaire (ISO 5 Class 100); must be used with option -I66 |

†Consult factory

Static Color Options and Ordering Configuration

(Example: MRV-06868-1000L-UNV-590-BN)

| Must Specify | | | | Optional | | | |
|--------------|--------|-----------------------------|---|--|--|---|---|
| Model | Lumens | Volts | Static Color | Driver Options | Trim Options | Emergency Options | Other Options |
| MRV-06868 | -1000L | -UNV -97†: Other Voltage | -465: 465nm Blue; Theater and Public Safety -521: 521nm Green; Operating Rooms -590: 590nm Yellow/Amber; Turtle-friendly -617: 617nm Amber; Vivarium -634: 634nm Red/Amber; Circadian -660: 660nm Red; Darkrooms, Labs | (Blank): 0-10V 1.0% dim -D2: 0-10V 0.1% dim; Static Color | (Blank): White tamper-resistant trim, high strength dual lens Trim Finishes -35T: Silver enamel (complete trim); (non BioGard™) -94: Custom color/finish; specify; (non BioGard™); consult factory -BN: Brushed nickel cast trim instead (non BioGard™) Other Trim Features -I66: IP66 Rated trim; also see Option -SH -WA: White acrylic (flat) diffuser above poly instead of microprismatic acrylic. Provides wide flood distribution. | (Blank): None -EI: Remote emergency inverter for 100% rated lumens; Run time: 90+ minutes; N/A for options -FS, -97 -ERH: Remote emergency battery pack; Delivers 1000 lumens; CEC Compliant; Run time: 90+ minutes | (Blank): None -99: Special modification; consult factory -FS: Fused primary; One per fixture; N/A for option -EI -SH: Sealed housing and junction box; provides Cleanroom Rated luminaire (ISO 5 Class 100); must be used with option -I66 |

†Consult factory

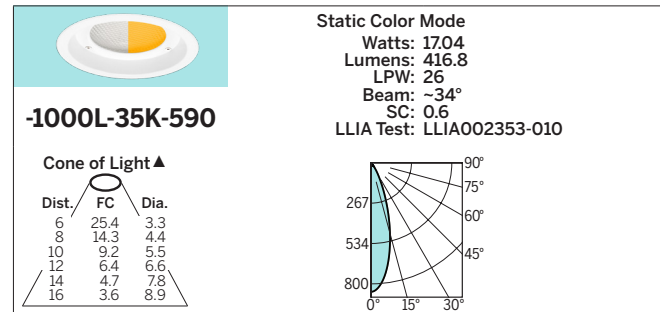
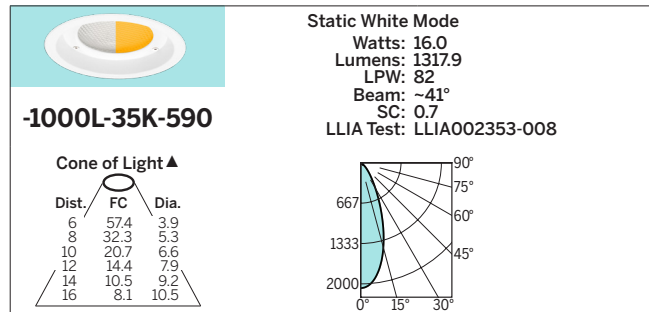
LIMITED WARRANTY: KIRLIN EXHIBITS ARE WARRANTED FREE OF DEFECTS IN WORKMANSHIP OR MATERIAL FOR FIVE YEARS FROM DATE OF PURCHASE. INSTALLED TO N.E.C. IN NORMAL USE. Manufacturer at this option will replace or repair such fixture or refund the purchase price on presentation of proof of purchase and defective fixture at the offices of manufacturer within the terms of original shipment. Liability of manufacturer is limited to the foregoing and manufacturer shall not be liable for any other damages, direct or indirect, sustained or suffered by purchaser or any person. This warranty is applied to the buyer in place of all other warranties, expressed or implied; seller does not warrant as to merchantability or fitness for a particular use, nor will any oral statement constitute a warranty or amend this specific warranty. Abnormal use, abuse of the fixture, improper installation, or repair or modification of the fixture without prior written authorization from the manufacturer will render the warranty void. PATIENT SPACES APRIL 2024

Photometry - Ambient+ Two Color Switchable - Installed Complete Fixture

LM-79 IESNA Certified Photometry from Independent Lab

Ambient+ Two Color

| CCT-STATIC COLOR | COLOR LUMENS | COLOR LUMEN FACTOR | MAXIMUM WATTAGE† |
|------------------|--------------|--------------------|------------------|
| -CCT-465 | 964.1 | 2.31 | 21.3 |
| -CCT-521 | 1554.7 | 3.73 | 20.5 |
| -CCT-590 | 416.8 | 1.00 | 17.0 |
| -CCT-617 | 760.7 | 1.83 | 17.5 |
| -CCT-634 | 692.7 | 1.66 | 16.6 |
| -CCT-660 | 323.9 | 0.78 | 16.8 |



† Maximum wattage is in static color mode. For static white wattage, please see photometry below.

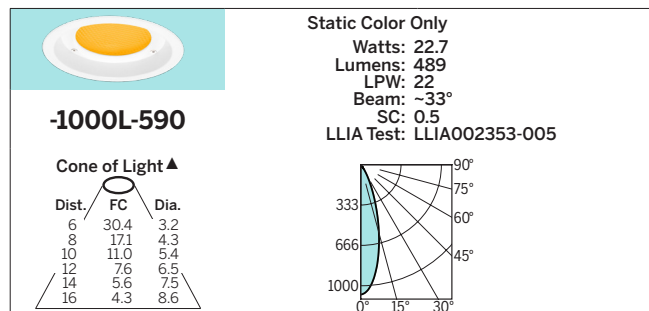
* See notes on page 1 for additional info on Lumen Factors

Photometry - Static Color - Installed Complete Fixture

LM-79 IESNA Certified Photometry from Independent Lab

Static Color

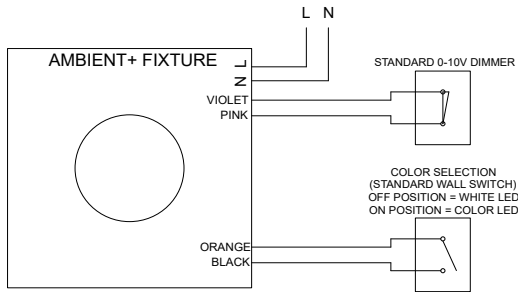
| STATIC COLOR | COLOR LUMENS | COLOR LUMEN FACTOR | NOMINAL WATTS | LPW |
|--------------|--------------|--------------------|---------------|------|
| -465 | 1053.3 | 2.15 | 20.4 | 51.7 |
| -521 | 1614.2 | 3.30 | 19.4 | 83.2 |
| -590 | 489.0 | 1.00 | 22.7 | 21.5 |
| -617 | 892.4 | 1.83 | 22.4 | 39.9 |
| -634 | 812.7 | 1.66 | 21.9 | 37.1 |
| -660 | 380.0 | 0.78 | 21.6 | 17.6 |



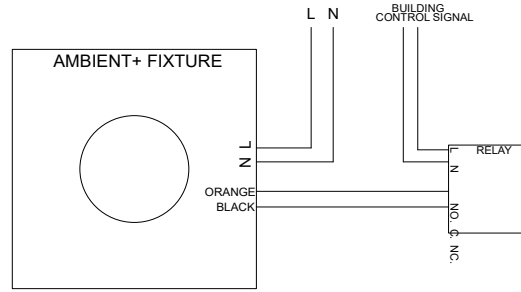
LED manufacturers maintain a tolerance of +/-7% on flux (lumens) and power (electrical) measurements.

Ambient+ Two Color Switchable - Example Wiring Diagrams

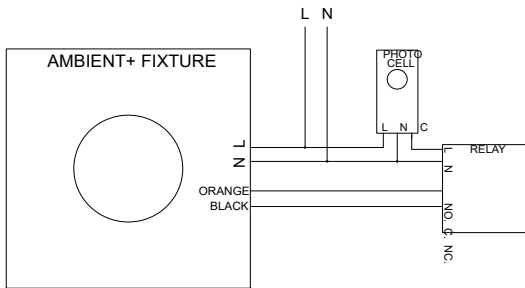
Basic Color Selection



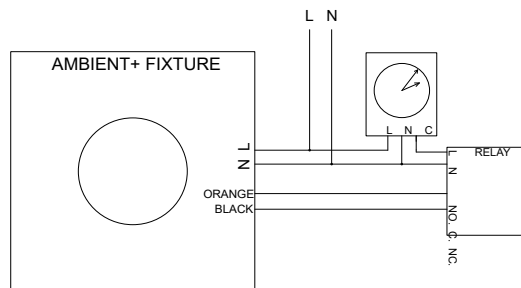
Building Control of White vs. Color



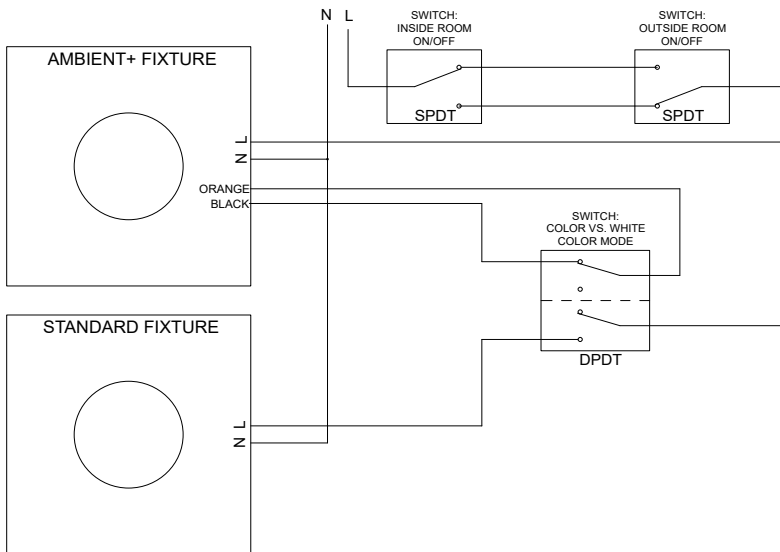
Photocell Control of White vs. Color



Timer Control of White vs. Color



Room Example with a Mix of Fixture Types



LIMITED WARRANTY: CATALOGED KIRLIN FIXTURES ARE WARRANTED FREE OF DEFECTS IN WORKMANSHIP OR MATERIAL FOR FIVE YEARS FROM DATE OF PURCHASE. INSTALLATION, IN NORMAL USE. Manufacturer at his option will replace or repair such fixture or refund the purchase price on presentation of proof of purchase and defective fixture to the offices of manufacturer within the means of original shipment. Liability of manufacturer is limited to the foregoing and manufacturer shall not be liable for any other damages, direct or indirect, sustained or suffered by purchaser or any person. This warranty is applied to the buyer in place of all other warranties, expressed or implied. Seller does not warrant as to merchantability or fitness for a particular use, nor will any oral statement constitute a warranty or amend this specific warranty. Abnormal use, abuse of the fixture, improper installation, or repair or modification of the fixture without prior written authorization from the manufacturer will render the warranty void.

PATENT SPACES
APRIL 2024