

CATALOG #	TYPE	
JOB NAME	WATTAGE	VOLTAGE

Symphony Remote Driver Series

Lensed 6" x 10" Cylinder Downlight

Up to 90,000 Hour Rated Life • Surface, Pendant, or Wall Mount
1500L • Wet Listed • LM-80 and LM-79 Certified

SSR-06473



Specifications

Delivered System Performance

- Lumen Series: **Must Specify**
- 1500L: 1500 nominal lumens (20W)
- Distributions: MFL standard; Optional: -SPT, -NFL or -WFL
- Color temperature: 3500°K standard; Optional: -27K, -30K, -41K or -50K
- CRI: 80+ standard; Optional: -HC (90+)
- 90,000 hour rated life (L70)
- Fully sustainable: removable for servicing

Thermal Management System

- All aluminum heat sink, components and housing maximize cool operation and long life while minimizing maintenance

Remote Power Supply Required

- For 0-10V use **SYM-CABNT**
- For DMX with RDM use **SYM-DMXPS**
- The **Symphony Configurator** can help determine the necessary components

SmartPower™ Battery Backup

- EMI-21220** for emergency power
- See specification sheet; order separately

Trim

- Seamless white self-flanged aluminum
- Regressed tempered prismatic spread lens

Aluminum Housing

- Seamless white acrylic enameled finish
- Rustproof: Exceeds 1000 hour ASTM 5% salt spray test
- No visible cylinder hardware
- Cool operation: Extends life of all components
- Fully sustainable: Entire luminaire
- Lightweight: minimizes ceiling load
- See Options for additional finishes and mounts

Installation

- Requires minimum 16 AWG shielded twisted pair wire from driver to fixtures
- Maximum cable run from driver to fixture is 250'**
- Center point mounting for snug fit to ceiling. Mounting hardware furnished
- 2" collar for surface J-box mount; see Option -80
- Indoor or outdoor for covered ceiling use; Weather Cap available; see Option -89

UL, C-UL (Canada) Listings

- Wet, damp or dry locations, covered ceilings; see Option -89

FCC Compliance

- FCC Part 15 certified for EMI/RFI emissions

FIVE YEAR Limited Warranty

- Complete standard fixture (must be used with SYM-CABNT or SYM-DMXPS)

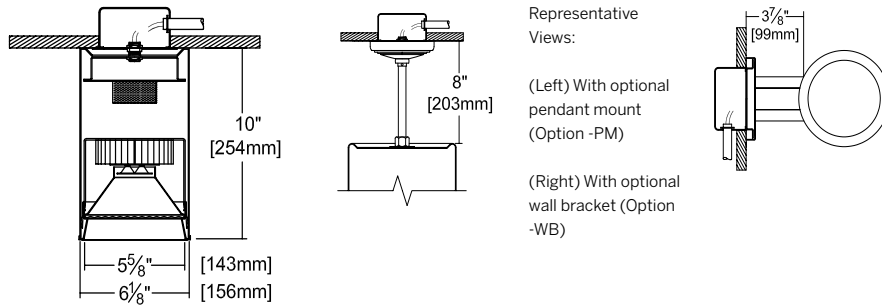


Options and Ordering Configuration

(Example: SSR-09620-6500L-30K-SPT)

Must Specify		Optional					
Model	Lumens	Color Temp. (CCT)	Distribution	Lens & Trim	Housing Finish	Mounting	Other Options
SSR-06473	-1500L	(Blank): 3500°K, 80+ CRI -27K: 2700°K instead -30K: 3000°K instead -41K: 4000°K instead -50K: 5000°K instead -HC: 90+ CRI instead	(Blank): MFL -SPT: Spot distribution -NFL: Narrow flood distribution -WFL: Wide flood distribution	(Blank): Clear specular trim; lens above -13: Clear flat polycarbonate below with prismatic flat lens above -23: Frosted microprismatic lens instead -CF: Custom color filter (Rosco); specify -WA: White acrylic (flat) diffuser instead; will produce wide flood distribution	(Blank): White enamel -35: Silver enamel finish -37: Dark bronze enamel finish -38: Black enamel finish -94: Custom color/finish; specify; consult factory	(Blank): Mounting hardware for surface mount -54: Safety cable from fixture through pendant stem and 12" beyond; use with -PM -80: 2" collar for mounting beneath outlet box; ½" T.S. KO's; add -89 for wet listing -87: Custom pendant or cable length; specify length; use with Option -ASB, -ASW or -PM -88: Swivel canopy for sloped ceilings up to 40°; use with Option -PM -89: Sealed top WeatherCap -ASB: Aircraft cable pendant mount; black cord. 48" or see -87; no wet listing -ASW: Aircraft cable pendant mount; white cord; 48" or see -87; no wet listing -PM: Pendant mount. 8" stem or see Option -87; add -89 for wet listing -WB: Wall bracket mount; add -89 for wet listing	(Blank): None -99: Special modification; consult factory

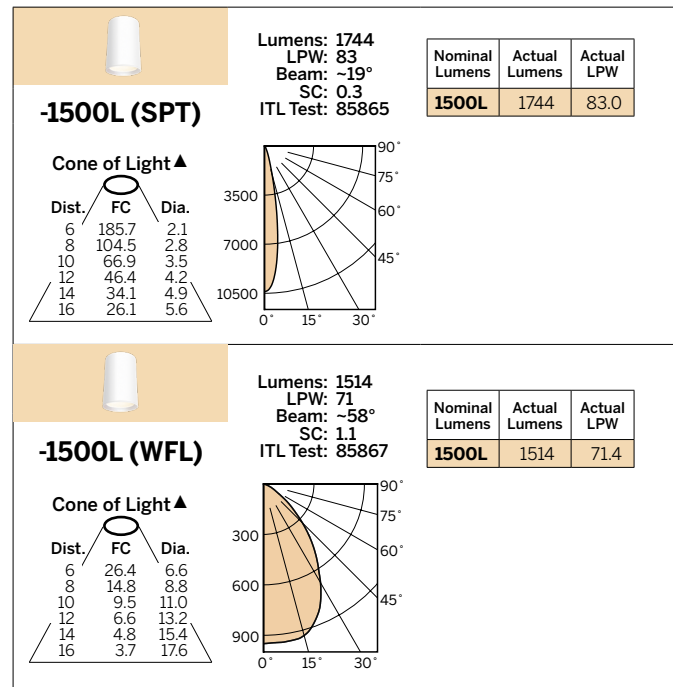
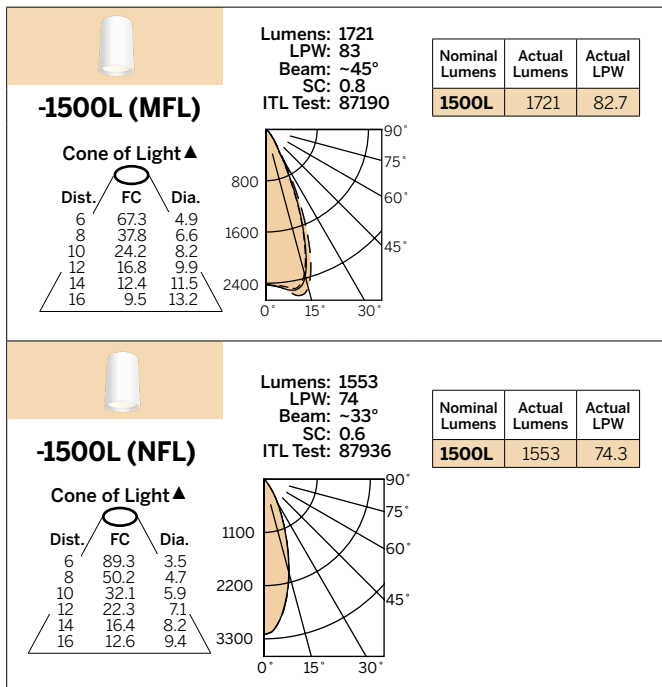
Dimensions



Photometry - Installed Complete Fixture

Photometry from I.T.L., Boulder, CO

LM-79 IESNA Certified Photometry from Independent Lab



LED manufacturers maintain a tolerance of +/-7% on flux (lumens) and power (electrical) measurements.

Symphony Driver Modules

Fully Digital Controlled Power Source for LED Luminaires

Mounted in Kirlin's **SYM-CABNT**

Drivers wired in series



Driver Module	Maximum Capacity	Fixture Load Examples
DVR-1400A	Up to Qty 2: 1500L Luminaires	<ul style="list-style-type: none"> • Qty 1: SSR-06473-1500L • Qty 2: SSR-06473-1500L • Qty 1: SSR-06473-1500L and Qty 1: SRR-04100-1500L
DVR-1400B *Not available with DMX dimming	Up to Qty 4: 1500L Luminaires	<ul style="list-style-type: none"> • Qty 3: SSR-06473-1500L • Qty 4: SSR-06473-1500L • Qty 2: SSR-06473-1500L and Qty 2: SRR-04100-1500L