

CATALOG #	TYPE	
JOB NAME	WATTAGE	VOLTAGE

# Lighting for Patient Spaces

## Strait Secure Static and Tunable White Slot

2.5" Recessed • Ligature Resistant • IK10-Rated  
Delivers Up To 1200 Lumens Per Foot • LM-80 Qualified • LM-79 Certified

### Specifications

#### Luminaire Features

- Vandal- and ligature-resistant linear slot light
- Shallow extruded aluminum housing with vandal- and ligature-resistant frame
- For use in behavioral health, transportation, education, and anywhere else a secure fixture is needed
- White finish standard, or see options below
- Color temperature: see chart below; CRI: 90+

#### LED Driver - INTERNAL

- Indoor/Outdoor: -30°C to 60°C (-22°F to 140°F)
- 0-10V 1.0% dimming standard
- 120-277 volt

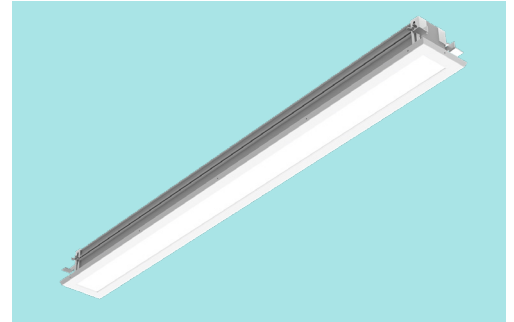
#### Vandal-Resistant Trim/Lens Assembly

- Ligature resistant smooth single-piece aluminum frame with 0.22" polycarbonate lens
- Discreet tamperproof screws placed along edge of frame to fixture housing; tamperproof tool included and can also be purchased separately
- Anti-pixelation optical film included above polycarbonate lens

#### Installation

- Securely mounts to hard ceiling for use in behavioral health environments
- Mount with #6 sheet rock fasteners, supplied by others
- Indoor/outdoor in ceilings up to 1 1/8" thick
- Minimum spacing between fixtures in 4.5" edge to edge in any direction

## VRL-02SWM



#### UL, C-UL (Canada) Listings

- Damp or dry locations, covered ceilings
- Type IC; approved for direct contact with insulation

#### FIVE YEAR Limited Warranty

- Complete standard fixture

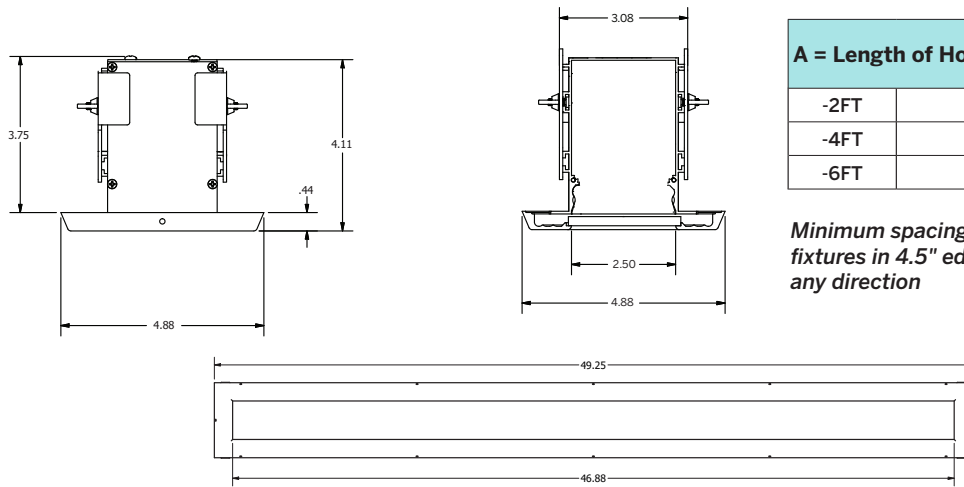
 Made in the USA	 Tunable White	 IK10 Impact Resistant	 Vandal Resistant	 BioGard™	 IP66 See Option -166	 UL Listed Damp, Dry
---	---	---	--	--	---	--

## Options and Ordering Configuration

(Example: VRL-02SWM-4FT-1000L-DD-6527-TW-BG)

Must Specify					Optional		
Model	Length	Lumens/FT	Beam	CCT & CRI	Dimming	Trim Options	Other Options
VRL-02SWM	-2FT -4FT -6FT	-1200L -1000L -750L -500L -XXXXL*	-DD: Direct distribution -AS: Asymmetric	-30K: 3000°K, 90+ CRI -35K: 3500°K, 90+ CRI -40K: 4000°K, 90+ CRI -6527: Tunable white; 6500°K - 2700°K, 80+ CRI; Available up to -0750L lumens/ft	(Blank): 0-10V dimming to 1% for static white -D7: DALI dual drive 0.1% dimming driver instead -D8: DALI DT8 dual drive 0.1% dimming driver instead -PSQ: Lutron T-Series controls instead -TW: Dual 0-10V Tunable White control with 0.1% dimming; Available with -6527 only -TW7: DALI dual drive 0.1% tunable white dimming driver instead; Available with -6527 only -TW8: DALI DT8 dual drive 0.1% tunable white dimming driver instead; Available with -6527 only	(Blank): IK10-rated white trim with polycarbonate lens <b>Trim Finishes</b> -35T: Silver enamel -38T: Black enamel -BG: BioGard anti-microbial white -94: Custom color; consult factory <b>Other Trim/Lens Features</b> -166: IP66 rated trim and lens; Meets ASTM E283 restricted airflow of 2CFM; Natatorium rated	(Blank): None  -99: Special modification; consult factory

## Dimensions (4 ft length shown)



## Length of Housing

A = Length of Housing (inches)	
-2FT	25 1/4"
-4FT	49 1/4"
-6FT	73 1/4"

Minimum spacing between fixtures in 4.5" edge to edge in any direction

## Performance Factors

Static White

NOMINAL LUMENS PER FOOT	LUMEN FACTOR	NOMINAL WATTS PER FOOT	LPW FACTOR
-1200L	1.00	16.2	1.00
-1000L	0.78	12.6	1.07
-750L	0.52	8.1	1.04
-500L	0.42	5.5	1.25

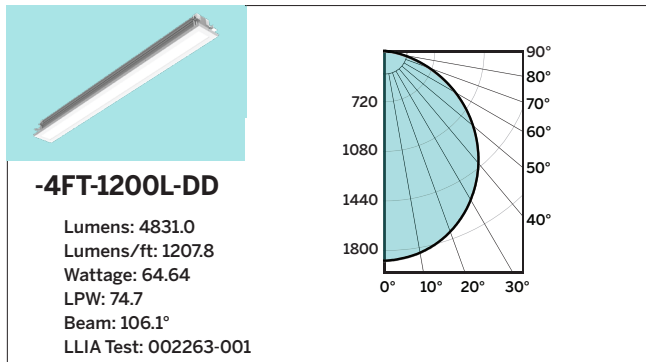
Tunable White

NOMINAL LUMENS PER FOOT	LUMENS PER FOOT	NOMINAL WATTS PER FOOT	LPW FACTOR
-750L-27K	537.1	7.8	69.3
-750L-65K	583.9	7.7	75.8

## Photometry - Static White - Installed Complete Fixture

Photometry from L.L.I., Allentown, PA

LM-79 IESNA Certified Photometry from Independent Lab



LIMITED WARRANTY: KIRLIN LIGHTING FIXTURES ARE WARRANTED FREE OF DEFECTS IN WORKMANSHIP OR MATERIAL FOR FIVE YEARS FROM DATE OF PURCHASE. INSTALLATION, MAINTENANCE, AND REPAIR MUST BE PERFORMED BY A QUALIFIED PROFESSIONAL. THE WARRANTY IS VOID IF THE FIXTURE IS DAMAGED BY IMPROPER INSTALLATION, MAINTENANCE, OR REPAIR. THE WARRANTY DOES NOT COVER DAMAGE TO SURFACES OR OTHER ITEMS CAUSED BY THE LIGHTING. THE WARRANTY IS VOID IF THE FIXTURE IS USED IN A MANNER NOT INTENDED BY THE MANUFACTURER. THE WARRANTY IS VOID IF THE FIXTURE IS USED IN A HAZARDOUS ENVIRONMENT. THE WARRANTY IS VOID IF THE FIXTURE IS USED IN A MANNER THAT VIOLATES ANY APPLICABLE LAWS OR REGULATIONS. THE WARRANTY IS VOID IF THE FIXTURE IS USED IN A MANNER THAT IS NOT DESCRIBED IN THE USER MANUAL. THE WARRANTY IS VOID IF THE FIXTURE IS USED IN A MANNER THAT IS NOT APPROVED BY THE MANUFACTURER. THE WARRANTY IS VOID IF THE FIXTURE IS USED IN A MANNER THAT IS NOT SPECIFIED IN THE TECHNICAL SPECIFICATIONS. THE WARRANTY IS VOID IF THE FIXTURE IS USED IN A MANNER THAT IS NOT DESCRIBED IN THE USER MANUAL. THE WARRANTY IS VOID IF THE FIXTURE IS USED IN A MANNER THAT IS NOT APPROVED BY THE MANUFACTURER. THE WARRANTY IS VOID IF THE FIXTURE IS USED IN A MANNER THAT IS NOT SPECIFIED IN THE TECHNICAL SPECIFICATIONS.

PATENT SPACES  
JANUARY 2024