

CATALOG #	TYPE	
JOB NAME	WATTAGE	VOLTAGE

Symphony Remote Driver Series

Open Appearance 4" Adjustable • LED

Up to 60,000 Hour Life (L70) • Type IC • Wet Location

LM-80 Qualified • LM-79 Certified Photometry

SRS-04646



Specifications

Delivered System Performance

- Lumen Series: **Must Specify**
- 2500L: 2500 nominal lumens (35W)
- Distribution: NFL standard; Optional: -SPT or -MFL
- Color temperature: 3500°K standard; Optional: -27K, -30K, -41K or -50K
- CRI: 80+ standard; Optional: -HC (90+)
- 60,000 hour life (L70)
- Fully sustainable: removable for servicing

Center Beam Optics

- Tilts up to 35° and locks in place
- Rotates full 360° and locks in place
- Accommodates sloped ceilings up to 35°

Thermal Management System

- All aluminum heat sink, components and housing maximize cool operation and long life while minimizing maintenance

Remote Power Supply Required

- For 0-10V use **SYM-CABNT**
- For DMX with RDM use **SYM-DMXPS**

SmartPower™ Battery Backup

- EMI-21220** for emergency power
- See specification sheet; order separately

Trim

- Clear specular aluminum trim
- Self-flanged, low glare angle-cut square; tempered glass lens above
- Optional colors and finishes available

Acrylic Enameled Aluminum Housing

- Rustproof and corrosion resistant: Exceeds 1000 hour ASTM 5% salt spray test
- Shallow depth fits restricted plenums
- Cool operation: Extends life of all components
- Fully sustainable: Entire luminaire, including LED light engine, is modular, easily visible and serviced through aperture
- Built in plaster flange

Outlet Box

- UL listed J-box with insulated removable cover; prewired 14 GA (NEC) with 1/2" and 3/4" knockouts

Installation

- Requires minimum 16 AWG shielded twisted pair wire from SmartDMX™ to fixtures
- Maximum cable run from driver to fixture is 250'**
- Recesses in ceilings up to 1 1/4" thick or see Option -79
- Compatible with fire rated enclosures (by others)
- 27" galvanized hanger bars with adjustable mounting brackets (2) supplied

UL C-UL (Canada) Listings

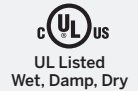
- Wet, damp or dry locations, covered ceilings
- Type IC: for direct contact with insulation

FCC Compliance

- FCC Part 15 certified for EMI/RFI emissions

FIVE YEAR Limited Warranty

- Complete standard fixture (must be used with SYM-CABNT or SYM-DMXPS)

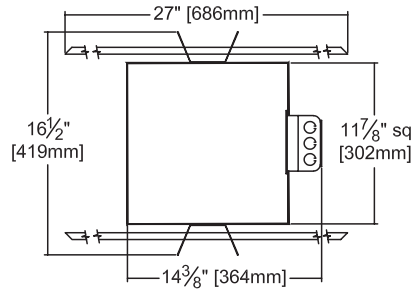
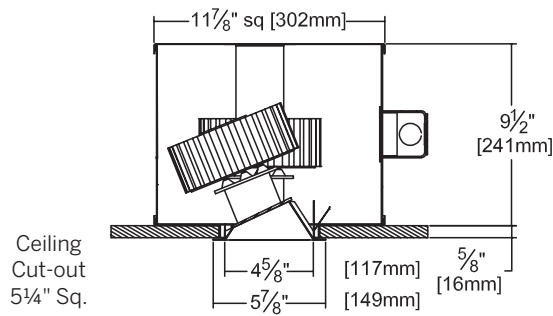


Options and Ordering Configuration

(Example: SRS-04646-2500L-30K-MFL)

Must Specify		Optional			
Model	Lumens	Color Temp. (CCT)	Distribution	Lens & Trim	Other Options
SRS-04646	-2500L	(Blank): 3500°K -27K: 2700°K instead -30K: 3000°K instead -41K: 4100°K instead -50K: 5000°K instead -HC: 90+ CRI instead	(Blank): NFL -MFL: Medium flood distribution -SPT: Spot distribution	(Blank): Clear specular trim; lens above -30T: White enamel (complete trim) -30F: White enamel (flange only) -32: White oversize trim ring; specify O.D. -33: Tempered glass Glow Ring suspended beneath trim; shape -37F: Dark bronze enamel (flange only) -38F: Black enamel (flange only) -45: Gasket between trim flange and ceiling -70T: Clear semi-specular SofTex™ (complete trim) -94: Custom color/finish; specify; consult factory -DL: Downlight cone instead; clear specular finish standard or add optional trim selection	(Blank): None -79: Extension collar for ceilings up to 2" thick -99: Special modification; consult factory -AT: Air tight version; meets ASTM E283 restricted airflow of 2 CFM maximum -RH: Residential mounting hardware instead; suitable for wood joist ceilings with spacing from 14 1/8" to 25 7/8" with 5/8" vertical adjustability

Dimensions



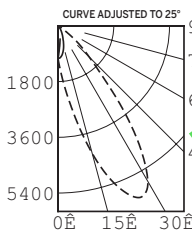
Photometry - Installed Complete Fixture

Photometry from I.T.L., Boulder, CO

LM-79 IESNA Certified Photometry from Independent Lab

-2500L STANDARD (NFL)

Lumens: 2061
Beam: ~29°
SC: 0.6
LPW: 59
Efficiency: 55.4%
ITL Test: 88092

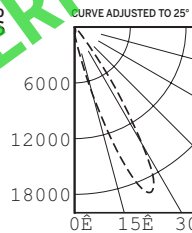


Total System Watts 35.1

CANDLEPOWER DISTRIBUTION					
	0.0	45.0	90.0	135.0	180.0
0	1049	1049	1049	1049	1049
5	1765	1495	1012	721	503
15	4261	2260	696	304	203
25	6121	2178	336	107	54
35	4436	1301	195	32	20
45	1427	472	95	9	5
55	284	101	5	2	1
65	62	5	2	1	0
75	1	1	0	0	0
85	0	0	0	0	0
90	0	0	0	0	0

-2500L Option -SPT

Lumens: 2235
Beam: ~16°
SC: 0.3
LPW: 64
Efficiency: 60.1%
ITL Test: 87506

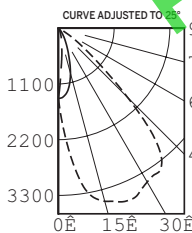


Total System Watts 35.0

CANDLEPOWER DISTRIBUTION					
	0.0	45.0	90.0	135.0	180.0
0	593	593	593	593	593
5	1172	931	586	374	312
15	7473	1702	414	140	82
25	19572	1477	168	45	48
35	6027	572	64	20	21
45	608	174	18	3	5
55	84	34	1	0	0
65	6	1	0	0	0
75	1	0	0	0	0
85	0	0	0	0	0
90	0	0	0	0	0

-2500L Option -MFL

Lumens: 2209
Beam: ~43°
SC: 0.8
LPW: 63
Efficiency: 59.4%
ITL Test: 87507



Total System Watts 35.0

CANDLEPOWER DISTRIBUTION					
	0.0	45.0	90.0	135.0	180.0
0	1387	1387	1387	1387	1387
5	2436	2085	1340	841	698
15	3537	3307	920	320	236
25	2654	2804	397	133	83
35	3462	1454	149	56	29
45	1936	469	49	21	9
55	407	118	14	4	0
65	59	24	3	1	0
75	5	1	0	0	0
85	0	0	0	0	0
90	0	0	0	0	0

BEEN DISCONTINUED - CONTACT FACTORY FOR ALTERNATIVES.

LED manufacturers maintain a tolerance of +/-7% on flux (lumens) and power (electrical) measurements.

LIMITED WARRANTY: CATALOGED KIRLIN FIXTURES ARE WARRANTED FREE OF DEFECTS IN WORKMANSHIP OR MATERIAL FOR 10 YEARS FROM DATE OF PURCHASE. INSTALLATION MUST BE BY AN IN-NORMAL USE MANUFACTURER. MANUFACTURER WILL REPLACE OR REPAIR SUCH FIXTURES OR RETURN THE PURCHASE PRICE ON PRESENTATION OF PROOF OF PURCHASE AND DEFECTIVE FIXTURE AT THE OFFICE OF MANUFACTURER WITHIN THE YEARS OF ORIGINAL SHIPMENT. LIABILITY OF MANUFACTURER IS LIMITED TO THE FOREGOING AND MANUFACTURER SHALL NOT BE LIABLE FOR ANY OTHER DAMAGES, DIRECT OR INDIRECT, SUSTAINED OR SUFFERED BY PURCHASER OR ANY PERSON. THIS WARRANTY IS APPLIED TO THE BUYER IN PLACE OF ALL OTHER WARRANTIES, EXPRESSED OR IMPLIED. SELLER DOES NOT WARRANT AS TO MERCHANTABILITY OR FITNESS FOR A PARTICULAR USE, NOR WILL ANY ORAL STATEMENT CONSTITUTE A WARRANTY OR AMEND THIS SPECIFIC WARRANTY. ABNORMAL USE, ABUSE OF THE FIXTURE, IMPROPER INSTALLATION, OR REPAIR OR MODIFICATION OF THE FIXTURE WITHOUT PRIOR WRITTEN AUTHORIZATION FROM THE MANUFACTURER WILL RENDER THE WARRANTY VOID.

SYMPHONY
OCT 2023