

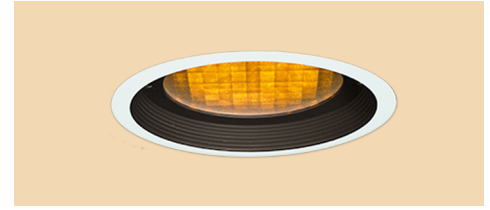
CATALOG #	TYPE	
JOB NAME	WATTAGE	VOLTAGE

Shoreview Series

Recessed Downlight • FWC Approved • LED

Ideal for Outdoor Lighting: Soffits, Canopies
 Sealed & Gasketed: IP65 Trim

TRR-08170



Specifications

LED (FWC Approved) and Optics

- Color: Environmental yellow/amber (590nm)
- Optional color: Environmental red/orange (617nm) available. See Option -ERO below
- True color, not phosphor converted
- No light emitted below 560nm
- 19 watts. 60,000 hour rated life (L70)
- 36° narrow optic controls light distribution

LED Power Supply/Driver

- Constant current DC. Electronically stabilized
- Minimum operating temperature -22°F (-30°C)
- 120-277V, 50-60 Hz. Load insensitive
- 0-10V CCR 1.0% dimming standard

Sealed & Gasketed Trim Assembly

- Rustproof 100% aluminum tapered one piece black flare, self-flanged in white
- Regressed tempered microprismatic glass lens with 1/2" square black louver above
- 45° cutoff provides controlled glare-free illumination

IP65 Rated Sealed and Gasketed Trim

- Silicone seal between trim and lens seals lens to trim
- Closed cell gasketing on trim flange seals flange to ceiling
- Neoprene O-rings on stainless steel fasteners seal fasteners to trim
- Meets ASTM E283 restricted airflow of 2 CFM maximum

Housing: Shallow Depth

- Acrylic enameled aluminum. Corrosion resistant. Suitable for coastal areas
- Rustproof: Exceeds 1000 hour ASTM 5% salt spray test. Ideal for high moisture and salt air environments
- Shallow 5 5/8" depth fits restricted plenums
- Cool operation extends component life
- Modular design; visible and fully serviceable through aperture
- Built in plaster flange

Installation & Hardware

- Recesses indoors or outdoors, covered locations
- 27" hanger bars & adjusting brackets (2) supplied

UL, C-UL (Canada)

- Wet, damp or dry locations, covered ceilings

FIVE YEAR Limited Warranty

- Complete standard fixture



FWC Certification
 #2016-033



IP65



Made in the USA
 BABAA Compliant



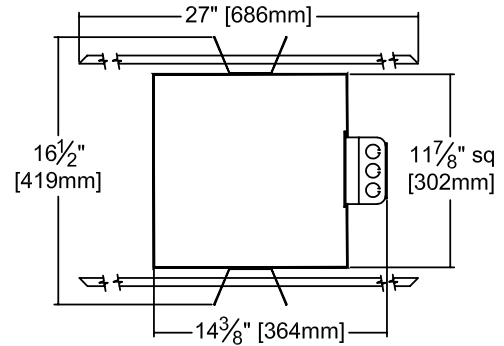
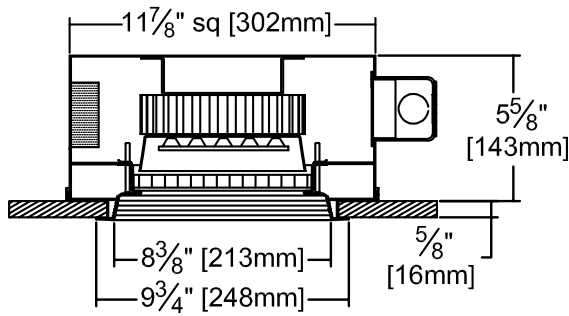
UL Listed
 Wet, Damp, Dry

Options and Ordering Configuration

(Example: TRR-08170-ERO)

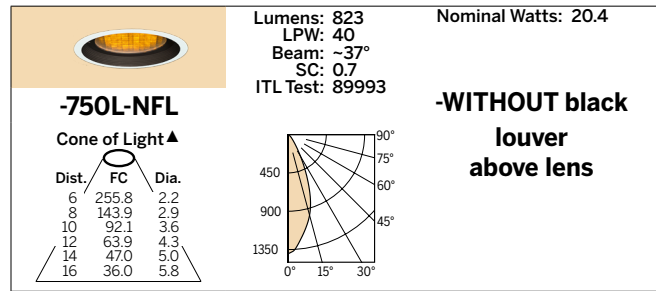
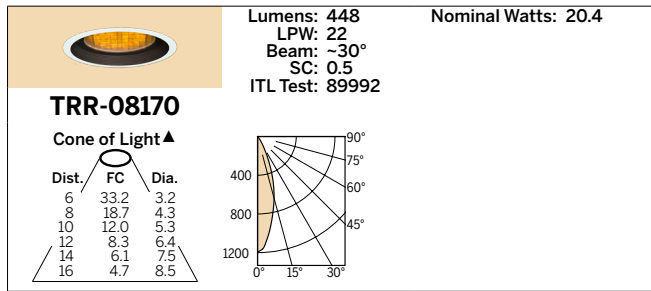
Must Specify	Optional	
Model	LED Color	Other Options
TRR-08170	<p>(Blank): Environmental yellow/amber (590nm)</p> <p>-ERO: Environmental red/orange (617nm)</p>	<p>(Blank): None</p> <p>-94: Customer color flange; specify</p> <p>-99: Special modification; consult factory</p>

Dimensions



Photometry - Installed Complete Fixture

LM-79 IESNA Certified Photometry from Independent Lab

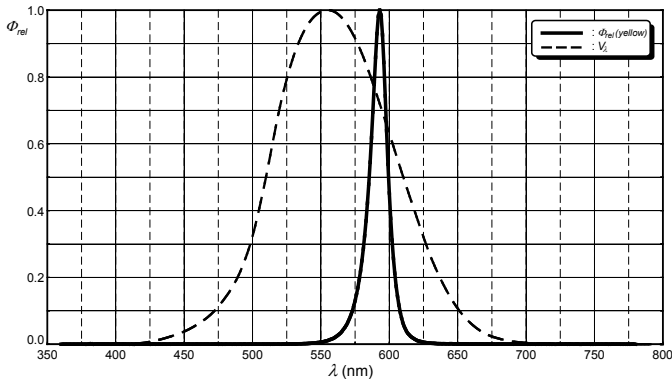


* See notes on page 1 for additional info on Lumen Factors

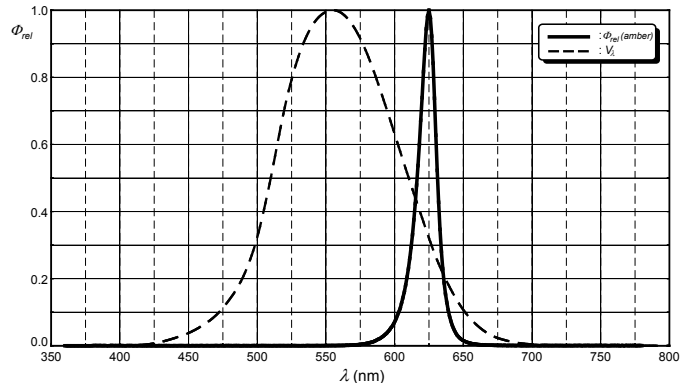
LED Spectral Emissions

———— LED Output
- - - - Human Eye Perception

Environmental Yellow / Amber
590nm peak (583nm min, 595nm max)



Option -ERO (Environmental Red / Orange)
617nm peak (609nm min, 624nm max)



LED manufacturers maintain a tolerance of +/-7% on flux (lumens) and power (electrical) measurements.

▲ Cone of Light Key Dist. Distance (Ft.) from fixture
Dia. (in ft.) shown is where FC FC Footcandles at nadir (0°)
value is half the FC at nadir. Dia. Circle of light at 50% of FC

LIMITED WARRANTY: CATALOGED KIRLIN FIXTURES ARE WARRANTED FREE OF DEFECTS IN WORKMANSHIP OR MATERIAL FOR 5 YEARS FROM DATE OF PURCHASE. INSTALLED TO N.E.C. / IN NORMAL USE. Manufacturer at the option will replace or repair such fixture or refund the purchase price on presentation of proof of purchase and defective fixture at the offices of manufacturer within the warranty period. Liability of manufacturer is limited to the foregoing and manufacturer shall not be liable for any other damages, direct or indirect, sustained or suffered by purchaser or any person. This warranty is applied to the buyer in place of all other warranties, expressed or implied. Seller does not warrant as to merchantability or fitness for a particular use, nor will any oral statement constitute a warranty or amend this specific warranty. Abnormal use, abuse of the fixture, improper installation, or repair or modification of the fixture without prior written authorization from the manufacturer will render the warranty void.

SHOREVIEW
NOVEMBER 2024