

CATALOG #	TYPE	
JOB NAME	WATTAGE	VOLTAGE

# Shoreview Series

## Recessed Wall Light • FWC Approved • LED

Ideal for Stairs, Walls and Walk Ways

Sealed & Gasketed • Wet Locations • Tamper Resistant

# TNT-03175



## Specifications

### LED (FWC Approved) and Optics

- Color: Environmental yellow/amber (590nm)
- Optional color: Environmental red/orange (617nm) available. See Option -ERO below
- True color, not phosphor converted
- No light emitted below 560nm
- 4 watts. 60,000 hour rated life (L70)

### LED Power Supply/Driver

- Constant current DC. Electronically stabilized
- Minimum operating temperature -22°F (-30°C)
- 120-277V, 50-60 Hz. Load insensitive

### Sealed & Gasketed Faceplate Assembly

- Meets ASTM E283 restricted airflow of 2 CFM maximum
- Seamless die-formed gasketed louvered faceplate: easily removable for servicing
- Clear poly lens behind louver, retained with captive stainless steel fasteners
- Neoprene O-rings seal fasteners to faceplate
- 30° louvers direct light downward

- White finish standard; optional colors
- Tamper resistant screws standard; tamperproof tool included

### Housing: Super Shallow 2 1/2" Depth

- Acrylic enameled aluminum. Corrosion resistant. Suitable for coastal areas
- Rustproof: Exceeds 1000 hour ASTM 5% salt spray test. Ideal for high moisture and salt air environments
- Cool operation extends component life
- Modular design; visible and fully serviceable through aperture

### Installation & Hardware

- Recessed in walls, indoors or outdoors
- Adjustable mounting slide brackets allow installation between adjoining studs up to 22" apart

### UL, C-UL (Canada)

- Wet locations

### FIVE YEAR Limited Warranty

- Complete standard fixture



FWC Certification  
#2016-034

## Options and Ordering Configuration

(Example: TNT-03175-38)



Vandal Resistant



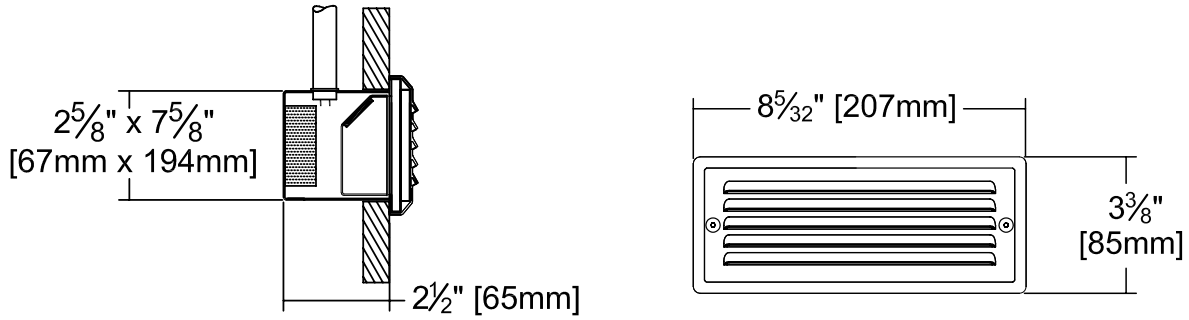
Made in the USA  
BABAA Compliant



UL Listed  
Wet, Damp, Dry

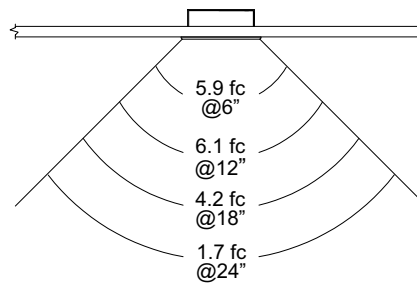
Must Specify	Optional		
Model	LED Color	Faceplate Finishes	Other Options
TNT-03175	<p><b>(Blank):</b> Environmental yellow/amber (590nm)</p> <p><b>-ERO:</b> Environmental red/orange (617nm)</p>	<p><b>(Blank):</b> Standard white finish</p> <p><b>-35:</b> Natural aluminum (silver) acrylic enamel</p> <p><b>-37:</b> Dark bronze acrylic enamel</p> <p><b>-38:</b> Black acrylic enamel</p> <p><b>-94:</b> Customer color flange; specify</p>	<p><b>(Blank):</b> None</p> <p><b>-99:</b> Special modification; consult factory</p>

## Dimensions



## Performance - Installed Complete Fixture

Estimated Footcandle Performance On the Floor  
- Top View

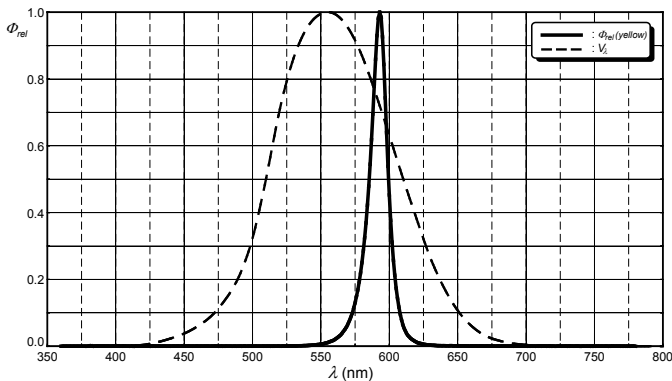


Installed 14" above ground

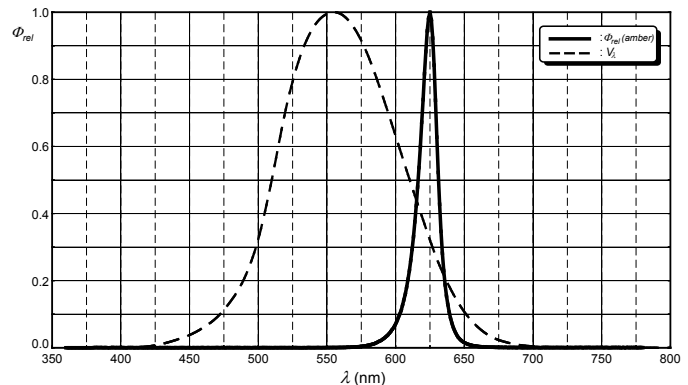
## LED Spectral Emissions

— LED Output  
- - - Human Eye Perception

Environmental Yellow / Amber  
590nm peak (583nm min, 595nm max)



Option -ERO (Environmental Red / Orange)  
617nm peak (609nm min, 624nm max)



LED manufacturers maintain a tolerance of +/-7% on flux (lumens) and power (electrical) measurements.

LIMITED WARRANTY: KIRLIN LIGHTING FIXTURES ARE WARRANTED FREE OF DEFECTS IN WORKMANSHIP OR MATERIAL FOR FIVE YEARS FROM DATE OF PURCHASE. INSTALLED TO N.E.C. / IN NORMAL USE. Manufacturer at the option will replace or repair such fixture or refund the purchase price on presentation of proof of purchase and defective fixture at the office of manufacturer within the years of original shipment. Liability of manufacturer is limited to the foregoing and manufacturer shall not be liable for any other damages, direct or indirect, sustained or suffered by purchaser or any person. This warranty is applied to the buyer in place of all other warranties, expressed or implied. Seller does not warrant as to merchantability or fitness for a particular use, nor will any oral statement constitute a warranty or amend this specific warranty. Abnormal use, abuse of the fixture, improper installation, or repair or modification of the fixture without prior written authorization from the manufacturer will render the warranty void.

SHOREVIEW  
NOVEMBER 2024