

CATALOG #	TYPE	
JOB NAME	WATTAGE	VOLTAGE

SmartLED™ MRI Lighting System

2.5" RGBW Recessed Linear Accent Light

Create a patient-centric MRI experience with soothing, dynamic color scenes

Specifications

Luminaire Features

- Remote driver, MRI-safe, low voltage linear accent light
- Shallow extruded aluminum housing; white finish standard, or see options below
- Non-ferromagnetic construction for accurate MRI scans

SmartLED™ MRI System Components

- Kirlin DMX remote driver modules, cabinet, and RFI filters required for operation
- Components ordered separately, see [MRI-DMXPS](#)

Trim/Lens

- ½" flanged trim
- Impact-resistant extruded lens with integral snap and diffusion mounting features, uniform distribution

Installation

- Mounts to grid ceiling, or see Option -NCB for installation in a hard ceiling
- Requires minimum 18 AWG twisted pair shielded wire from SmartLED MRI driver modules, through filters, to luminaire

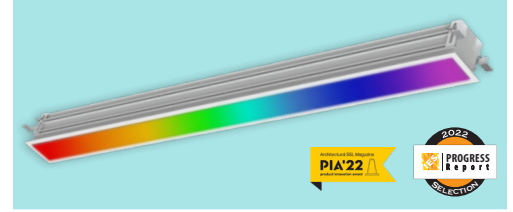
Color & Controls

- Quad chip RGBW LEDs provide rich color palette for full spectrum expression
- DMX control via Kirlin DMX wall panel [MRI-DMXWP](#)
- Wall panel ships preloaded with standard scene configuration and presets - consult factory for custom programs

SmartLED™ Emergency Backup System

- [EMI-21220](#) or [EMI-03120](#) available for emergency power

MRL-2



UL, C-UL (Canada) Listings

- Damp, dry locations, covered ceilings

FCC Compliance

- SmartLED™ system meets FCC Part 15 certification, see [MRI-DMXPS](#)

Five Year Limited Warranty

- Complete fixture, must be installed with all SmartLED™ components

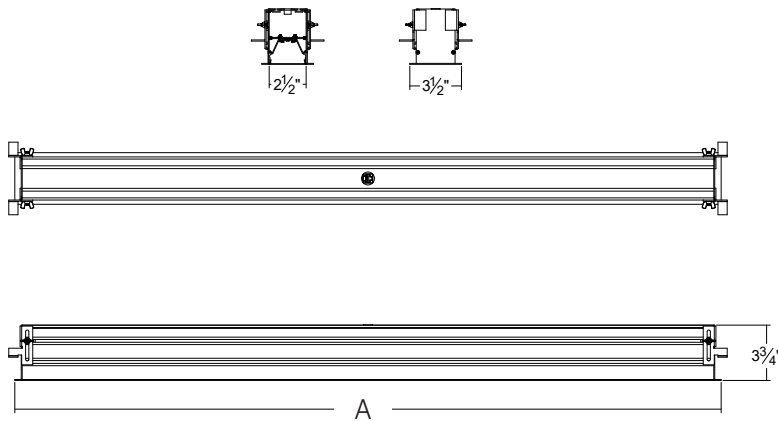


Options and Ordering Configuration

(Example: MRL-02CCM-8FT-DD-RGB4-DMX-35T)

Must Specify					Optional		
Model	Length	Beam	Output	Controls	Mounting Options	Trim Options	Other Options
MRL-02CCM	-2FT -4FT -6FT -8FT -10FT -12FT <i>Consult factory for longer lengths</i>	-DD: Direct distribution	-RGB4: RGB + 4000K 80+ CRI	-DMX*	(Blank): T-grid ceiling -NCB: New construction mounting bracket for hard ceiling installation	(Blank): Standard white enamel trim with diffusing lens Trim Finishes -35T: Silver enamel -38T: Black enamel -BG: BioGard anti-microbial white -94: Custom color; consult factory Other Trim/Lens Features -45: Gasket between trim & ceiling	(Blank): None -99: Special modification; consult factory
				*Note: For MRI use, remote DMX drivers, cabinet, controller, and MRI filters must be used.			

Dimensions (4 ft length shown)



Length of Housing

A = Length of Housing (inches) For 5/16" & 15/16" Grid Ceilings		
-2FT	STANDARD	23 7/8"
	DROP IN	23 7/8"
-4FT	STANDARD	47 7/8"
	DROP IN	47 7/8"
-6FT	STANDARD	71 7/8"
	DROP IN	71 7/8"
-8FT	STANDARD	95 7/8"
	DROP IN	95 7/8"
-10FT	STANDARD	119 7/8"
	DROP IN	119 7/8"
-12FT	STANDARD	143 7/8"
	DROP IN	143 7/8"

STANDARD = Installed occupancy side, flange fully visible from below
 DROP IN = Installed plenum side, flange mostly contained behind grid

Photometry - Installed Complete Fixture

Photometry from L.L.I., Allentown, PA

LM-79 IESNA Certified Photometry from Light Labs, International

-2FT (Red LED)

Lumens: 189.5
 Lumens/ft: 94.75
 Wattage: 5.90
 LPW: 32.1
 Beam: 72.6°
 LLI Test: 1792-07

-2FT (Green LED)

Lumens: 446.0
 Lumens/ft: 223
 Wattage: 6.93
 LPW: 64.4
 Beam: 75.8°
 LLI Test: 1792-08

-2FT (Blue LED)

Lumens: 134.0
 Lumens/ft: 67
 Wattage: 7.51
 LPW: 17.8
 Beam: 75.4°
 LLI Test: 1792-09

-2FT (White LED)

Lumens: 401.1
 Lumens/ft: 200.55
 Wattage: 7.68
 LPW: 52.2
 Beam: 73.4°
 LLI Test: 1792-10

LIMITED WARRANTY: KIRLIN LIGHTING FIXTURES ARE WARRANTED FREE OF DEFECTS IN WORKMANSHIP OR MATERIAL FOR FIVE YEARS FROM DATE OF PURCHASE. INSTALLATION, ETC., IS NOT NORMAL USE. MANUFACTURER AT HIS OPTION WILL REPLACE OR REPAIR SUCH FIXTURE OR RETURN THE PURCHASE PRICE OR REPRESENTATION OF PURCHASE AND DEFECTIVE FIXTURE TO THE OFFICE OF MANUFACTURER WITHIN ONE YEAR OF ORIGINAL SHIPMENT. LIABILITY OF MANUFACTURER IS LIMITED TO THE FOREGOING AND MANUFACTURER SHALL NOT BE LIABLE FOR ANY OTHER DAMAGES, DIRECT OR INDIRECT, SUSTAINED OR SUFFERED BY PURCHASER OR ANY PERSON. THIS WARRANTY IS APPLIED TO THE BUYER IN PLACE OF ALL OTHER WARRANTIES, EXPRESSED OR IMPLIED. SELLER DOES NOT WARRANT AS TO MERCHANTABILITY OR FITNESS FOR A PARTICULAR USE, NOR WILL ANY ORAL STATEMENT CONSTITUTE A WARRANTY OR AMEND THIS SPECIFIC WARRANTY. ABNORMAL USE, ABUSE OF THE FIXTURE, IMPROPER INSTALLATION, OR REPAIR OR MODIFICATION OF THE FIXTURE WITHOUT PRIOR WRITTEN AUTHORIZATION FROM THE MANUFACTURER WILL RENDER THE WARRANTY VOID.