

CATALOG #	TYPE	
JOB NAME	WATTAGE	VOLTAGE

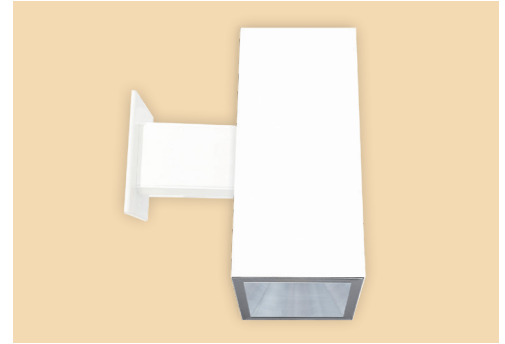
Choice Series

Direct/Indirect • 7" x 18" Square Housing • COB LED

60,000 Hours • 1% Dimming, 0-10V

3 Step Binning • Wet Listed • LM-80 and LM-79 Certified

LWC-07SDI



Specifications

Delivered System Performance

• Lumen Series: **Must Specify**

Direct	Indirect
-5000L	-5000U
-4000L	-4000U
-3000L	-3000U
-2500L	-2500U
-2000L	-2000U
-1500L	-1500U

- Select beam distribution: see chart
- Select color (CCT): see chart; 80+ CRI standard; Option -HC for 90+ (15% lumen loss)
- 60,000 hour life

Thermal Management System

- All aluminum heat sink and components for cool operation, long life, low maintenance

LED Driver - INTERNAL

- Indoor/Outdoor: -30°C to 60°C (22°F to 140°F)
- 0-10V CCR 1% dimming standard
- Voltage Options: **Must Specify**
 - UNV - 120-277V (50-60Hz); load insensitive
 - 120 - 120V input (50-60Hz); for -D6

Optical & Trim Assemblies

- **Direct:** Low brightness self-flanged clear Softex™ Semi Specular cone with clear microprismatic lens
- Optional colors & finishes available
- **Indirect:** Tempered microprismatic lens up, with WeatherCap

Aluminum Housing

- Seamless white acrylic enameled finish
- Rustproof: Exceeds 1000 hour ASTM 5% salt spray test
- No visible cylinder hardware
- Cool operation: Extends life of all components
- Fully sustainable: Entire luminaire

Installation

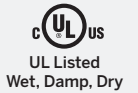
- Wall bracket arm (7") assembled to housing with ¼" wall plate
- Mounting hardware included
- Indoor or outdoor
- Standard safety cable

UL, C-UL (Canada), & FCC Compliance

- Wet/Damp or dry locations
- FCC Part 15 certified for EMI/RFI emissions

FIVE YEAR Limited Warranty

- Complete standard fixture



Options and Ordering Configuration

(Example: LWC-07SDI-5000L-4000U-WFL-MFU-UNV-30K-EI-38)

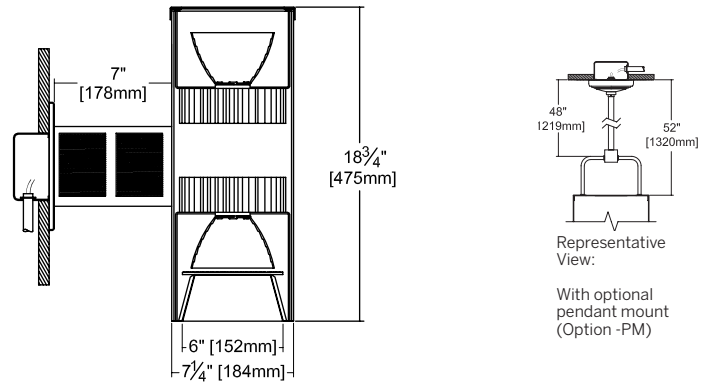
Must Specify					Optional				
Model	Lumens	Beam	CCT & CRI	Volts	Driver Options	Emergency Options	Housing/Trim	Mounting Options	Other Options
LWC-07SDI									
	Direct (Down)	Direct (Down)	80+ CRI*	-UNV	(Blank): Standard 0-10V CCR 1% dim	(Blank): None	(Blank): Standard white enamel housing finish with clear Softex™ trim	(Blank): Standard 7" wall arm plus ¼" wall plate	(Blank): None
	-5000L	-SPT	-27K: 2700°K	-120					Lens Options
	-4000L	-NFL	-30K: 3000°K		-D2: 0-10V 0.1% dim	-E1: Remote inverter for 100% rated lumens up to 3000L (total); 90+ minutes; N/A for Options -FS			-13: Clear polycarbonate beneath diffusing lens
	-3000L	-MFL	-35K: 3500°K		-D3: DALI 1.0% dim		Trim Finishes		-DA: Diffuse acrylic lens instead
	-2500L	-MFL	-40K: 4000°K		-D4: DALI 100-0.1% dim		-30T: White enamel trim	-87: Custom wall bracket length; specify	-WA: White acrylic lens instead
	-2000L	-WFL	-50K: 5000°K		-D5: DMX512A 0.1% dim; -4000L max	-E14: Remote emergency inverter for 100% rated lumens up to 4000L (total); 90+ minutes; CEC Compliant; N/A for Options -FS	-62T: Clear specular trim		
	-1500L	Indirect (Up)	*Note: Lumen Factor = 0.93 for -27K		-D6: Triac/ELV dim; 120 volt only ; -4000L max		Housing Finishes		Other Options
		-SPU			-E0: For use with Lutron EcoSystem controls; Dim to black	-E15: Remote emergency inverter for 100% rated lumens up to 5000L (total); 90+ minutes; N/A for Options -FS	-35: Silver enamel finish		-99: Special modification; consult factory
		-NFU	90+ CRI**				-37: Dark bronze enamel finish		-FS: Fused primary; 1 per LED module; N/A for Options -E1, -E14
	-5000U	-MFU					-38: Black enamel finish		
	-4000U	-MFU	-27K-HC: 2700°K				-94: Custom color/finish; specify; consult factory		
	-3000U	-WFL	-30K-HC: 3000°K						
	-2500U		-35K-HC: 3500°K						
	-2000U		-40K-HC: 4000°K						
	-1500U		-50K-HC: 5000°K (N/A in -3000L)						
			**Note: Lumen Factor = 0.79 for -27K-HC; All Others = 0.85						

Performance Factors

NOMINAL LUMENS	LUMEN FACTOR	NOMINAL WATTS	LPW FACTOR
-5000L -5000U	1.000	109.2	1.000
-4000L -4000U	0.742	77.6	1.043
-3000L -3000U	0.551	55.0	1.099
-2500L -2500U	0.493	49.4	1.089
-2000L -2000U	0.423	40.6	1.137
-1500L -1500U	0.309	28.8	1.171

* See notes on page 1 for additional info on Lumen Factors

Dimensions



Photometry - Installed Complete Fixture

Photometry from I.T.L., Boulder, CO

LM-79 IESNA Certified Photometry from Independent Lab

-5000L-5000U-SPT-SPU

Up Lumens: 6509 52.0%
 Dn Lumens: 6017 48.0%
 LPW: 115
 Dn Beam: ~23°
 SC: 0.39
 ITL Test: 94081

Nominal Lumens	Actual Lumens	Actual LPW
5000U 5000L	6509 6017	114.8
4000U 4000L	4830 4465	119.8
3000U 3000L	3606 3333	126.2
2500U 2500L	3209 2966	125.0
2000U 2000L	2753 2545	130.5
1500U 1500L	2011 1859	134.4

Cone of Light ▲ (Direct Position Only)

Dist.	FC	Dia.
6	669.1	2.3
8	376.3	3.1
10	240.9	3.9
12	167.3	4.7
14	122.9	5.5
16	94.1	6.2

-5000L-5000U-WFL-WFU

Up Lumens: 6210 52.1%
 Dn Lumens: 5719 47.9%
 LPW: 109
 Dn Beam: ~57°
 SC: 0.82
 ITL Test: 94070

Nominal Lumens	Actual Lumens	Actual LPW
5000U 5000L	6210 5719	109.2
4000U 4000L	4608 4243	114.1
3000U 3000L	3440 3168	120.2
2500U 2500L	3062 2819	119.0
2000U 2000L	2627 2419	124.3
1500U 1500L	1919 1767	128.0

Cone of Light ▲ (Direct Position Only)

Dist.	FC	Dia.
6	175.8	4.9
8	98.9	6.6
10	63.3	8.2
12	44.0	9.9
14	32.3	11.5
16	24.7	13.1

-5000L-5000U-NFL-NFU

Up Lumens: 5953 53.0%
 Dn Lumens: 5270 47.0%
 LPW: 103
 Dn Beam: ~34°
 SC: 0.55
 ITL Test: 94068

Nominal Lumens	Actual Lumens	Actual LPW
5000U 5000L	5953 5270	102.9
4000U 4000L	4417 3910	107.3
3000U 3000L	3298 2920	113.0
2500U 2500L	2935 2598	112.0
2000U 2000L	2518 2229	116.9
1500U 1500L	1839 1628	120.4

Cone of Light ▲ (Direct Position Only)

Dist.	FC	Dia.
6	324.0	3.3
8	182.3	4.4
10	116.7	5.5
12	81.0	6.6
14	59.5	7.7
16	45.6	8.7

-5000L-5000U-MFL-MFU

Up Lumens: 5869 52.2%
 Dn Lumens: 5378 47.8%
 LPW: 103
 Dn Beam: ~41°
 SC: 0.65
 ITL Test: 94069

Nominal Lumens	Actual Lumens	Actual LPW
5000U 5000L	5869 5378	103.0
4000U 4000L	4355 3990	107.5
3000U 3000L	3251 2979	113.3
2500U 2500L	2893 2651	112.2
2000U 2000L	2483 2275	117.2
1500U 1500L	1814 1662	120.7

Cone of Light ▲ (Direct Position Only)

Dist.	FC	Dia.
6	260.8	3.9
8	146.7	5.2
10	93.9	6.5
12	65.2	7.9
14	47.9	9.2
16	36.7	10.5

LED manufacturers maintain a tolerance of +/-7% on flux (lumens) and power (electrical) measurements.

▲ Cone of Light Key
 Dia. (in ft.) shown is where FC value is half the FC at nadir.
 Dist. Distance (Ft.) from fixture
 FC Footcandles at nadir (0°)
 Dia. Circle of light at 50% of FC

LIMITED WARRANTY: KIRLIN FIXTURES ARE WARRANTED FREE OF DEFECTS IN WORKMANSHIP OR MATERIAL FOR THE YEARS FROM DATE OF PURCHASE. INSTALLATION, USE, MANUFACTURER AT HIS OPTION WILL REPLACE OR REPAIR SUCH FIXTURE OR REFUND THE PURCHASE PRICE ON presentation of proof of purchase and defective fixture to the offices of manufacturer within the years of original shipment. Liability of manufacturer is limited to the foregoing and manufacturer shall not be liable for any other damages, direct or indirect, sustained or suffered by purchaser or any person. This warranty is applied to the buyer in place of all other warranties, expressed or implied. Seller does not warrant as to merchantability or fitness for a particular use, nor will any oral statement constitute a warranty. Abnormal use, abuse of the fixture, improper installation or repair or modification of the fixture without prior written authorization from the manufacturer will render the warranty void.

CHOICE SERIES
FEB 2023