

CATALOG #	TYPE	
JOB NAME	WATTAGE	VOLTAGE

Choice Series

Direct/Indirect • 6" x 18" Cylinder • COB LED

60,000 Hours • 1% Dimming, 0-10V

3 Step Binning • Wet Listed • LM-80 and LM-79 Certified

Specifications

Delivered System Performance

• Lumen Series: **Must Specify**

Direct	Indirect
-3500L	-3500U
-3000L	-3000U
-2500L	-2500U
-2000L	-2000U
-1500L	-1500U
-1000L	-1000U

- Select beam distribution: see chart
- Select color (CCT): see chart; 80+ CRI standard; Option -HC for 90+ (15% lumen loss)
- 60,000 hour life (L70)

Thermal Management System

- All aluminum heat sink and components for cool operation, long life, low maintenance

LED Driver - INTERNAL

- Indoor/Outdoor: -30°C to 60°C (-22°F to 140°F)
- 0-10V CCR 1% dimming standard
- Voltage Options: **Must Specify**
- -UNV - 120-277V (50-60Hz); load insensitive
- -120 - 120V input (50-60Hz); for -D6

Optic Assembly (Both Positions)

- Seamless white self-flanged aluminum
- Regressed tempered clear microprismatic lens
- Molded reflector system
- Option -DA for diffuse acrylic lens
- Option -WA for white acrylic lens
- Option -13 for clear polycarbonate overlay

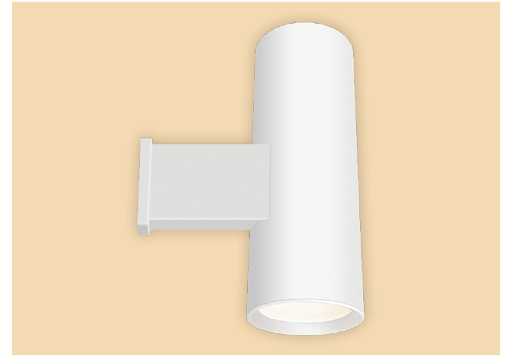
Aluminum Housing

- Seamless white acrylic enameled finish
- Rustproof: Exceeds 1000 hour ASTM 5% salt spray test
- No visible cylinder hardware
- Cool operation: Extends life of all components
- Fully sustainable: Entire luminaire

Installation

- Wall bracket arm (6¼") assembled to housing with ½" wall plate
- Mounting hardware included
- Indoor or outdoor; also see Option -86

LWC-06RDI



UL, C-UL (Canada), & FCC Compliance

- Damp or dry locations; wet location with Option -86
- FCC Part 15 certified for EMI/RFI emissions

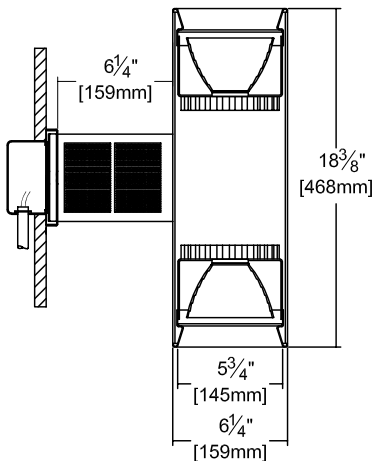
FIVE YEAR Limited Warranty

- Complete standard fixture

Declare.



Dimensions



Available Source Options

See page 2 for ordering configurations

SW

Static White
5 CCTs Available

TW

Tunable White

WD

Warm Dimming

Static White Options and Ordering Configuration

(Example: LWC-06RDI-3500L-3000U-WFL-MFU-30K-UNV-EI-38)

Must Specify					Optional				
Model	Lumens	Beam	CCT & CRI	Volts	Driver Options	Emergency Options	Housing Finish	Mounting Options	Other Options
LWC-06RDI									
	Direct (Down)	Direct (Down)	80+ CRI* -27K: 2700°K -30K: 3000°K -35K: 3500°K -40K: 4000°K -50K: 5000°K	-UNV -120	(Blank): Standard 0-10V CCR 1% dim -D2: 0-10V 0.1% dim -D3: DALI 1.0% dim -D4: DALI 100-0.1% dim -D5: DMX512A 0.1% dim -D6: Triac/ELV dim; 120 volt only -ECO: For use with Lutron EcoSystem controls; Dim to black	(Blank): None -EI: Remote inverter for 100% rated lumens up to 3000L (total); 90+ minutes; N/A for Options -FS -E14: Remote emergency inverter for 100% rated lumens up to 4000L (total); CEC Compliant; 90+ minutes; N/A for Options -FS -E15: Remote emergency inverter for 100% rated lumens up to 5000L (total); 90+ minutes; N/A for Options -FS	(Blank): Standard white enamel -35: Silver enamel finish -37: Dark bronze enamel finish -38: Black enamel finish -94: Custom color/finish; specify; consult factory	(Blank): Standard 6¼" wall arm plus ½" wall plate -87: Custom wall bracket length, specify	(Blank): None Lens Options -13: Clear polycarbonate beneath diffusing lenses -DA: Diffuse acrylic lenses instead -WA: White acrylic lenses instead Other Options * -86: WeatherCap, for wet location listing. Indirect position -99: Special modification; consult factory -AWN: Athena Wireless Node; N/A for Dimming Options D5, D6, ECO -FS: Fused primary; 1 per LED module; N/A for Options -EI, -E14 *Note: For other integrated control solutions, such as nLight, contact factory
	Indirect (Up)	Indirect (Up)	90+ CRI** *Note: Lumen Factor = 0.93 for -27K **Note: Lumen Factor = 0.79 for -27K-HC; All Others = 0.85						
	-3500L	-SPT							
	-3000L	-NFL							
	-2500L	-MFL							
	-2000L	-WFL							
	-1500L								
	-1000L								
	-3500U	-MFU	-27K-HC: 2700°K						
	-3000U	-WFU	-30K-HC: 3000°K						
	-2500U		-35K-HC: 3500°K						
	-2000U		-40K-HC: 4000°K						
	-1500U		-50K-HC: 5000°K (-2500L or below)						
	-1000U								

† For 2 SDCM, consult factory

Dynamic White Options and Ordering Configuration

(Example: LWC-06RDI-1500L-1000U-WFL-MFU-3518-UNV-WD-EI-38)

Must Specify					Optional				
Model	Lumens	Beam	CCT & CRI	Volts	Driver Options	Emergency Options	Housing Finish	Mounting Options	Other Options
LWC-06RDI									
	Direct (Down)	Direct (Down)	-6527: 6500°K - 2700°K range, 90+ CRI -4018: 4000°K - 1800°K range, 90+ CRI	-UNV	-TW: Dual 0-10V Tunable White control with 0.1% dimming -TW7: DALI dual drive 0.1% tunable white dimming driver instead -TW8: DALI DT8 dual drive 0.1% tunable white dimming driver instead	(Blank): None -EI: Remote inverter for 100% rated lumens up to 3000L (total); 90+ minutes; N/A for Options -FS -E14: Remote emergency inverter for 100% rated lumens up to 4000L (total); CEC Compliant; 90+ minutes; N/A for Options -FS	(Blank): Standard white enamel -35: Silver enamel finish -37: Dark bronze enamel finish -38: Black enamel finish -94: Custom color/finish; specify; consult factory	(Blank): Standard 6¼" wall arm plus ½" wall plate -87: Custom wall bracket length, specify	(Blank): None Lens Options -13: Clear polycarbonate beneath diffusing lenses -DA: Diffuse acrylic lenses instead -WA: White acrylic lenses instead Other Options * -86: WeatherCap, for wet location listing. Indirect position -99: Special modification; consult factory -AWN: Athena Wireless Node; N/A for Dimming Options TW, TW7 -FS: Fused primary; 1 per LED module; N/A for Options -EI, -E14 *Note: For other integrated control solutions, such as nLight, contact factory
	Indirect (Up)	Indirect (Up)	-3518: 3500°K - 1800°K range, 90+ CRI -3018: 3000°K - 1800°K range, 90+ CRI -2718: 2700°K - 1800°K range, 90+ CRI		-WD: Warm Dimming 0-10V control with 0.1% dimming; N/A for Option -6527 -WD7: DALI 0.1% warm dimming driver instead; N/A for Option -6527				
	-2000L	-NFL							
	-1500L	-MFL							
	-1000L	-WFL							
	-2000U								
	-1500U								
	-1000U								

Performance Factors - Static White

NOMINAL LUMENS	LUMEN FACTOR	NOMINAL WATTS	LPW FACTOR
-3500L -3500U	1.000	77.7	1.000
-3000L -3000U	0.981	67.6	1.024
-2500L -2500U	0.732	52.9	1.075
-2000L -2000U	0.543	36.7	1.150
-1500L -1500U	0.409	27.5	1.156
-1000L -1000U	0.310	20.3	1.187

* See notes on page 2 for additional info on Lumen Factors

Performance Factors - Tunable White

Lumen factors are based on comparable Static White light output.

NOMINAL LUMENS	6500K LUMEN FACTOR	2700K LUMEN FACTOR	NOMINAL WATTS
-2000L	0.65	0.52	20.8
-1500L	0.65	0.52	14.9
-1000L	0.65	0.52	11.4

LIMITED WARRANTY: KIRLIN LIGHTING PRODUCTS ARE WARRANTED FREE OF DEFECTS IN WORKMANSHIP OR MATERIAL FOR FIVE YEARS FROM DATE OF PURCHASE. INSTALLATION TO N.E.C. / IN-NORMAL USE. Manufacturer at the option will replace or repair such fixture or refund the purchase price on presentation of proof of purchase and defective fixture at the office of manufacturer within 90 days of original shipment. Liability of manufacturer is limited to the foregoing and manufacturer shall not be liable for any other damages, direct or indirect, sustained or suffered by purchaser or any person. This warranty is applicable to the buyer in place of all other warranties, expressed or implied. Seller does not warrant as to merchantability or fitness for a particular use, nor will any oral statement constitute a warranty or amend this specific warranty. Abnormal use, abuse of the fixture, improper installation or repair, or modification of the fixture without prior written authorization from the manufacturer will render the warranty void.

Photometry - Static White - Installed Complete Fixture

Photometry from I.T.L., Boulder, CO

LM-79 IESNA Certified Photometry from Independent Lab

-3500L-3500U-SPT-SPU

Up Lumens: 3811 51.3%
Dn Lumens: 3620 48.7%
LPW: 96
Dn Beam: ~17°
SC: 0.28
ITL Test: 94097

Nominal Lumens	Actual Lumens	Actual LPW
3500U 3500L	3811 3620	95.6
3000U 3000L	3396 3225	97.9
2500U 2500L	2790 2650	102.8
2000U 2000L	2069 1966	109.9
1500U 1500L	1559 1481	110.5
1000U 1000L	1181 1122	113.5

Cone of Light ▲
(Direct Position Only)

Dist.	FC	Dia.
6	572.4	1.7
8	322.0	2.2
10	206.1	2.8
12	143.1	3.4
14	105.1	3.9
16	80.5	4.5

-3500L-3500U-MFL-MFU

Up Lumens: 3299 51.0%
Dn Lumens: 3170 49.0%
LPW: 83
Dn Beam: ~40°
SC: 0.61
ITL Test: 94099

Nominal Lumens	Actual Lumens	Actual LPW
3500U 3500L	3299 3170	83.3
3000U 3000L	2939 2824	85.3
2500U 2500L	2415 2320	89.5
2000U 2000L	1791 1721	95.7
1500U 1500L	1349 1297	96.2
1000U 1000L	1023 983	98.8

Cone of Light ▲
(Direct Position Only)

Dist.	FC	Dia.
6	159.8	3.6
8	89.9	4.8
10	57.5	6.1
12	40.0	7.3
14	29.4	8.5
16	22.5	9.7

-3500L-3500U-NFL-NFU

Up Lumens: 1998 51.6%
Dn Lumens: 3182 48.4%
LPW: 85
Dn Beam: ~28°
SC: 0.47
ITL Test: 94098

Nominal Lumens	Actual Lumens	Actual LPW
3500U 3500L	3389 3182	84.6
3000U 3000L	3020 2835	86.6
2500U 2500L	2481 2329	90.9
2000U 2000L	1840 1728	97.2
1500U 1500L	1386 1301	97.7
1000U 1000L	1051 986	100.3

Cone of Light ▲
(Direct Position Only)

Dist.	FC	Dia.
6	218.3	2.8
8	122.8	3.8
10	78.6	4.7
12	54.6	5.6
14	40.1	6.6
16	30.7	7.5

-3500L-3500U-WFL-WFU

Up Lumens: 3390 50.5%
Dn Lumens: 3322 49.5%
LPW: 86
Dn Beam: ~59°
SC: 0.85
ITL Test: 94100

Nominal Lumens	Actual Lumens	Actual LPW
3500U 3500L	3390 3322	86.4
3000U 3000L	3020 2960	88.5
2500U 2500L	2481 2432	92.9
2000U 2000L	1841 1804	99.3
1500U 1500L	1387 1359	99.8
1000U 1000L	1051 1030	102.5

Cone of Light ▲
(Direct Position Only)

Dist.	FC	Dia.
6	88.1	5.1
8	49.5	6.8
10	31.7	8.5
12	22.0	10.2
14	16.2	11.9
16	12.4	13.6

LED manufacturers maintain a tolerance of +/-7% on flux (lumens) and power (electrical) measurements.

▲ Cone of Light Key
Dia. (in ft.) shown is where FC value is half the FC at nadir.
Dist. Distance (Ft.) from fixture
FC Footcandles at nadir (0°)
Dia. Circle of light at 50% of FC