

CATALOG #	TYPE	
JOB NAME	WATTAGE	VOLTAGE

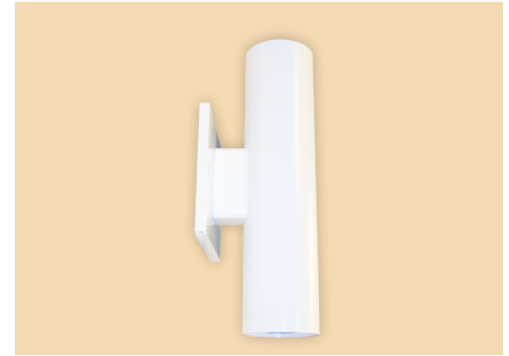
Choice Series

Direct/Indirect • 3" x 12" Cylinder • COB LED

60,000 Hours • 1% Dimming, 0-10V

3 Step Binning • Wet Listed • LM-80 and LM-79 Certified

LWC-03RDI



Delivered System Performance

- Lumen Series: **Must Specify**

Direct	Indirect
-2000L	-2000U
-1500L	-1500U
-1000L	-1000U
- Select beam distribution: see chart
- Select color (CCT): see chart; 80+ CRI standard; Option -HC for 90+ (15% lumen loss)
- 60,000 hour life (L70)

Thermal Management System

- All aluminum heat sink and components for cool operation, long life, low maintenance

LED Driver - INTERNAL to J-BOX

- Indoor/Outdoor: -30°C to 60°C (-22°F to 140°F)
- 0-10V CCR 1% dimming standard
- Voltage Options: **Must Specify**
 - UNV - 120-277V (50-60Hz); load insensitive
 - 120 - 120V input (50-60Hz); for -D6

Optic Assembly (Both Positions)

- TIR (Total Internal Reflection) lens molded acrylic

Aluminum Housing

- Seamless white acrylic enameled finish
- Rustproof: Exceeds 1000 hour ASTM 5% salt spray test
- No visible cylinder hardware
- 1½" wall bracket arm and wall plate or see Option -87
- Cool operation: Extends life of all components
- Fully sustainable: Entire luminaire

Outlet Box

- UL listed J-box; prewired; 4" sq x 2½" deep
- ½" and ¾" knockouts

Installation

- Wall bracket arm (1½") assembled to housing; ¾" wall plate and recessed outlet box included
- Mounting hardware included
- Indoor or outdoor; also see Option -86

UL, C-UL (Canada), & FCC Compliance

- Damp or dry locations; wet location with Option -86
- FCC Part 15 certified for EMI/RFI emissions

FIVE YEAR Limited Warranty

- Complete standard fixture

Options and Ordering Configuration

(Example: LWC-03RDI-2000L-1000U-WFL-NFU-UNV-30K-EI-38)



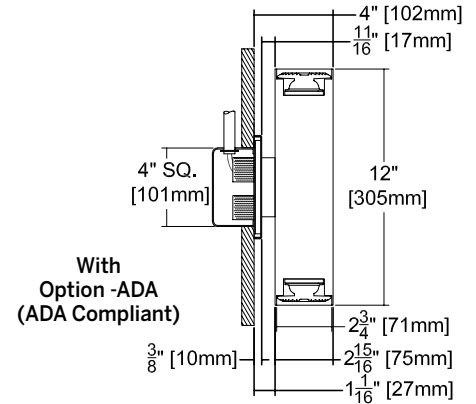
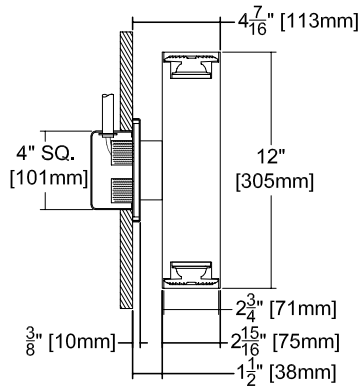
Must Specify					Optional				
Model	Lumens	Beam	CCT & CRI	Volts	Driver Options	Emergency Options	Housing Finish	Mounting Options	Other Options *
LWC-03RDI									
	Direct (Down)	Direct (Down)	80+ CRI*	-UNV	(Blank): Standard 0-10V CCR 1% dim	(Blank): None	(Blank): Standard white enamel	(Blank): Standard 1½" wall arm plus ¾" wall plate	(Blank): None
	-2000L	-NFL	-27K: 2700°K	-120	-D6: Triac/ELV dim; 120 volt only	-E1: Remote inverter for 100% rated lumens up to 3000L (total); 90+ minutes	-35: Silver enamel finish	-86: WeatherCap, for wet location listing. Indirect position	-99: Special modification; consult factory
	-1500L	-MFL	-30K: 3000°K		Consult Factory:	-E14: Remote emergency inverter for 100% rated lumens up to 4000L (total); CEC Compliant; 90+ minutes	-37: Dark bronze enamel finish	-87: Custom wall bracket length, specify. Standard arm 1½" plus ¾" wall plate	-ADA: ADA compliant; 4" maximum standoff
	-1000L	-WFL	-35K: 3500°K		-D2: 0-10V 0.1% dim		-38: Black enamel finish		-AWN: Athena Wireless Node; N/A for Dimming Options D5, D6, ECO
	Indirect (Up)	Indirect (Up)	-40K: 4000°K		-D3: DALI 1.0% dim		-94: Custom color/finish; specify; consult factory		-DL: Downlight version instead. Add Option -86 for wet label
	-2000U	-NFU	-50K: 5000°K		-D4: DALI 100-0.1% dim				*Note: For other integrated control solutions, such as nLight, contact factory
	-1500U	-MFU	*Note: Lumen Factor = 0.93 for -27K		-D5: DMX512A 0.1% dim				
	-1000U	-WFU	90+ CRI**		-ECO: For use with Lutron EcoSystem controls; Dim to black				
			-27K-HC: 2700°K						
			-30K-HC: 3000°K						
			-35K-HC: 3500°K						
			-40K-HC: 4000°K						
			-50K-HC: 5000°K						
			**Note: Lumen Factor = 0.79 for -27K-HC; All Others = 0.85						

Performance Factors

NOMINAL LUMENS	LUMEN FACTOR	NOMINAL WATTS	LPW FACTOR
-2000L -2000U	1.000	34.6	1.000
-1500L -1500U	0.800	26.9	1.026
-1000L -1000U	0.575	19.2	1.033

* See notes on page 1 for additional info on Lumen Factors

Dimensions



With
Option -ADA
(ADA Compliant)

Photometry - Installed Complete Fixture

Photometry from I.T.L., Boulder, CO

LM-79 IESNA Certified Photometry from Independent Lab

-2000L-2000U-NFL-NFU

Up Lumens: 1998 49.9%
Dn Lumens: 2009 50.1%
LPW: 116
Dn Beam: ~24°
SC: 0.43
ITL Test: 94090

Cone of Light ▲
(Direct Position Only)

Dist.	FC	Dia.
6	213.5	2.6
8	120.1	3.5
10	76.9	4.3
12	53.4	5.2
14	39.2	6.0
16	30.0	6.9

Nominal Lumens	Actual Lumens	Actual LPW
2000U 2000L	1998 2009	116.1
1500U 1500L	1598 1607	119.2
1000U 1000L	1149 1155	120.0

-2000L-2000U-MFL-MFU

Up Lumens: 2001 49.5%
Dn Lumens: 2041 50.5%
LPW: 117
Dn Beam: ~35°
SC: 0.55
ITL Test: 94091

Cone of Light ▲
(Direct Position Only)

Dist.	FC	Dia.
6	130.1	3.6
8	73.2	4.9
10	46.9	6.1
12	32.5	7.3
14	23.9	8.5
16	18.3	9.7

Nominal Lumens	Actual Lumens	Actual LPW
2000U 2000L	2001 2041	117.2
1500U 1500L	1601 1633	120.2
1000U 1000L	1151 1174	121.0

-2000L-2000U-WFL-WFU

Up Lumens: 2024 50.7%
Dn Lumens: 1970 49.3%
LPW: 116
Dn Beam: ~56°
SC: 0.84
ITL Test: 94092

Cone of Light ▲
(Direct Position Only)

Dist.	FC	Dia.
6	58.7	5.7
8	33.0	7.6
10	21.1	9.5
12	14.7	11.4
14	10.8	13.3
16	8.3	15.1

Nominal Lumens	Actual Lumens	Actual LPW
2000U 2000L	2024 1970	115.8
1500U 1500L	1619 1576	118.8
1000U 1000L	1164 1133	119.6

LIMITED WARRANTY: KIRLIN LIGHTING FIXTURES ARE WARRANTED FREE OF DEFECTS IN WORKMANSHIP OR MATERIAL FOR FIVE YEARS FROM DATE OF PURCHASE. INSTALLATION TO N.E.C. (N) NORMAL USE. Manufacturer at this option will replace or repair such fixture or refund the purchase price on presentation of proof of purchase and defective fixture to the office of manufacturer within ninety days of original shipment. Liability of manufacturer is limited to the foregoing and manufacturer shall not be liable for any other damages, direct or indirect, sustained or suffered by purchaser or any person. This warranty is applied to the buyer in place of all other warranties, expressed or implied, seller does not warrant as to merchantability or fitness for a particular use, nor will any oral statement constitute a warranty or amend this specific warranty. Abnormal use, abuse of the fixture, improper installation or repair, or modification of the fixture without prior written authorization from the manufacturer will render the warranty void.

LED manufacturers maintain a tolerance of +/-7% on flux (lumens) and power (electrical) measurements.

▲ Cone of Light Key Dist. Distance (Ft.) from fixture
Dia. (in ft.) shown is where FC FC Footcandles at nadir (0°)
value is half the FC at nadir. Dia. Circle of light at 50% of FC

CHOICE SERIES
JULY 2024