

CATALOG #	TYPE	
JOB NAME	WATTAGE	VOLTAGE

Choice Series

Surface Mount 9" x 16" Cylinder • COB LED

60,000 Hours • 1% Dimming, 0-10V

3 Step Binning • Wet Listed • LM-80 and LM-79 Certified

Specifications

Delivered System Performance

- Lumen Series: **Must Specify**

-6000L
-5000L
-4000L
-3000L
-2500L
-2000L

- Select trim & beam distribution: see chart
- Select color (CCT): see chart; 80+ CRI standard; Option -HC for 90+ (15% lumen loss)
- 60,000 hour life (L70)

Thermal Management System

- All aluminum heat sink and components for cool operation, long life, low maintenance

LED Driver - INTERNAL

- Indoor/Outdoor: -30°C to 60°C (-22°F to 140°F)
- 0-10V CCR 1% dimming standard
- Voltage Options: **Must Specify**
- UNV - 120-277V (50-60Hz); load insensitive
- 120 - 120V input (50-60Hz); for -D6

Trim Assembly

- Low brightness self-flanged clear Softex™ Semi Specular cone with clear microprismatic lens
- Optional colors and finishes available
- With Option -VWFL: Regressed tempered microprismatic lens
- Molded reflector system

Aluminum Housing

- Seamless white acrylic enameled finish
- Rustproof: Exceeds 1000 hour ASTM 5% salt spray test
- No visible cylinder hardware
- Cool operation: Extends life of all components
- Fully sustainable: Entire luminaire
- See Options for additional finishes and mounts

Installation

- Center point mounting for snug fit to ceiling; mounting hardware furnished.
- Indoor or outdoor for covered ceiling use (see Option -89)

LSC-09RDN



UL, C-UL (Canada), & FCC Compliance

- Wet, damp or dry locations, covered ceilings (see Option -89)
- FCC Part 15 certified for EMI/RFI emissions

FIVE YEAR Limited Warranty

- Complete standard fixture

Declare.



Made in the USA
BABAA Compliant

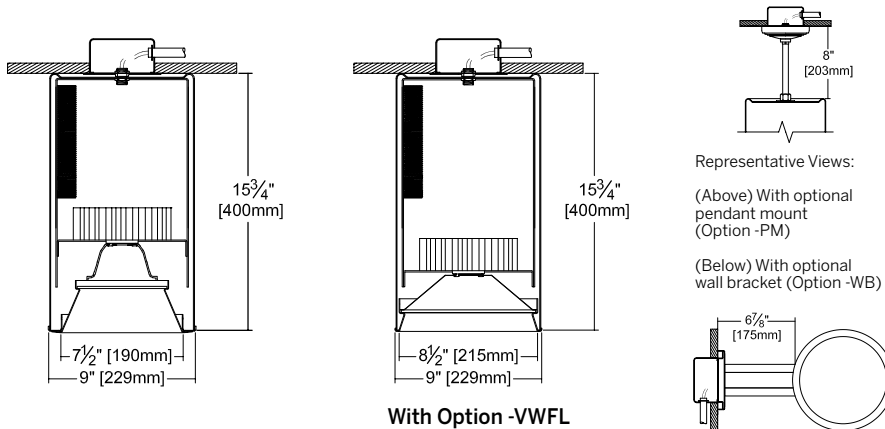


FCC Part 15
Certified



UL Listed
Wet, Damp, Dry

Dimensions



Available Source Options

See page 2 for ordering configurations

SW

Static White
5 CCTs Available

TW

Tunable White

WD

Warm Dimming

Static White Options and Ordering Configuration

(Example: LSC-09RDN-5000L-WFL-30K-UNV-EI-38)

Must Specify					Optional				
Model	Lumens	Beam	CCT & CRI	Volts	Driver Options	Emergency Options	Housing/Trim Options	Mounting Options	Other Options
LSC-09RDN									
	-6000L -5000L -4000L -3000L -2500L -2000L	-SPT -NFL -MFL -WFL -VWFL	80+ CRI* -27K: 2700°K -30K: 3000°K -35K: 3500°K -40K: 4000°K -50K: 5000°K *Note: Lumen Factor = 0.93 for -27K 90+ CRI** -27K-HC: 2700°K -30K-HC: 3000°K -35K-HC: 3500°K -40K-HC: 4000°K -50K-HC: 5000°K (N/A in -3000L) **Note: Lumen Factor = 0.79 for -27K-HC; All Others = 0.85 † For 2 SDCM, consult factory	-UNV -120	(Blank): Standard 0-10V CCR 1% dim -D2: 0-10V 0.1% dim -D3: DALI 1.0% dim -D4: DALI 100-0.1% dim -D5: DMX512A 0.1% dim; -4000L max; consult factory for use with pendant, cable mount -D6: Triac/ELV dim; 120 volt only ; -4000L max -ECO: For use with Lutron EcoSystem controls; Dim to black; Consult factory; -4000L max	(Blank): None -EI: Remote inverter for 100% rated lumens up to -3000L; 90+ minutes; N/A for Options -FS -E14: Remote emergency inverter for 100% rated lumens up to -4000L; CEC Compliant; 90+ minutes; N/A for Options -FS -E15: Remote emergency inverter for 100% rated lumens up to -5000L; 90+ minutes; N/A for Options -FS -ERH: Remote emergency battery pack; Delivers 1000 lumens; CEC Compliant; 90+ minutes; N/A with pendant, cable mount	(Blank): Standard white enamel housing finish with clear Softex™ trim Trim Finishes -30T: White enamel trim; N/A with -VWFL -62T: Clear specular trim; N/A with -VWFL Housing Finishes -35: Silver enamel finish -37: Dark bronze enamel finish -38: Black enamel finish -94: Custom color/finish; specify; consult factory	(Blank): Standard surface -80: 2" surface collar for exposed conduit -87: Custom length pendant/cable; for -ASB, -ASW, -PM -88: Swivel canopy for sloped ceilings to 40°; with -PM -89: WeatherCap cover for wet label; for -80, -PM, -WB -ASB: Aircraft cable, black cord; 48" or see -87; no wet label -ASW: Aircraft cable, white cord; 48" or see -87; no wet label -PM: Pendant stem; 8" stem or see -87; no wet label -WB: Wall mounted; add -89 for wet label	(Blank): None Lens Options for -VWFL -13: Clear polycarbonate beneath diffusing lens -DA: Diffuse acrylic lens instead -WA: White acrylic lens instead Other Options * -54: Safety cable, use with -PM -99: Special modification; consult factory -AWN: Athena Wireless Node; N/A for Dimming Options D5, D6, ECO -FS: Fused primary; 1 per LED module; N/A for Options -EI, -EI4, EI5 *Note: For other integrated control solutions, such as nLight, contact factory

Dynamic White Options and Ordering Configuration

(Example: LSC-09RDN-2000L-WFL-3018-UNV-WD-EI-38)

Must Specify					Optional				
Model	Lumens	Beam	CCT & CRI	Volts	Driver Options	Emergency Options	Housing/Trim Options	Mounting Options	Other Options
LSC-09RDN									
	-2000L	-NFL -MFL -WFL -VWFL	-6527: 6500°K - 2700°K range, 90+ CRI -4018: 4000°K - 1800°K range, 90+ CRI -3518: 3500°K - 1800°K range, 90+ CRI -3018: 3000°K - 1800°K range, 90+ CRI -2718: 2700°K - 1800°K range, 90+ CRI	-UNV	-TW: Dual 0-10V Tunable White control with 0.1% dimming -TW7: DALI dual drive 0.1% tunable white dimming driver instead -TW8: DALI DT8 dual drive 0.1% tunable white dimming driver instead -WD: Warm Dimming 0-10V control with 0.1% dimming; N/A for Option -6527 -WD7: DALI 0.1% warm dimming driver instead; N/A for Option -6527	(Blank): None -EI: Remote inverter for 100% rated lumen output; 90+ minutes; N/A for Options -FS -ERH: Remote emergency battery pack; Delivers 1000 lumens; CEC Compliant; 90+ minutes; N/A with pendant, cable mount	(Blank): Standard white enamel housing finish with clear Softex™ trim Trim Finishes -30T: White enamel trim; N/A with -VWFL -62T: Clear specular trim; N/A with -VWFL Housing Finishes -35: Silver enamel finish -37: Dark bronze enamel finish -38: Black enamel finish -94: Custom color/finish; specify; consult factory	(Blank): Standard surface -80: 2" surface collar for exposed conduit -87: Custom length pendant/cable; for -ASB, -ASW, -PM -88: Swivel canopy for sloped ceilings to 40°; with -PM -89: WeatherCap cover for wet label; for -80, -PM, -WB -ASB: Aircraft cable, black cord; 48" or see -87; no wet label -ASW: Aircraft cable, white cord; 48" or see -87; no wet label -PM: Pendant stem; 8" stem or see -87; no wet label -WB: Wall mounted; add -89 for wet label	(Blank): None Lens Options for -VWFL -13: Clear polycarbonate beneath diffusing lens -DA: Diffuse acrylic lens instead -WA: White acrylic lens instead Other Options * -54: Safety cable, use with -PM -99: Special modification; consult factory -AWN: Athena Wireless Node; N/A for Dimming Options TW, TW7 -FS: Fused primary; 1 per LED module; N/A for Option -EI *Note: For other integrated control solutions, such as nLight, contact factory

Performance Factors - Static White

NOMINAL LUMENS	LUMEN FACTOR	NOMINAL WATTS	LPW FACTOR
-6000L	1.218	69.1	0.948
-5000L	1.000	53.8	1.000
-4000L	0.742	36.7	1.088
-3000L	0.554	27.5	1.084
-2500L	0.493	24.7	1.074
-2000L	0.423	20.3	1.121

* See notes on page 2 for additional info on Lumen Factors

Performance Factors - Tunable White

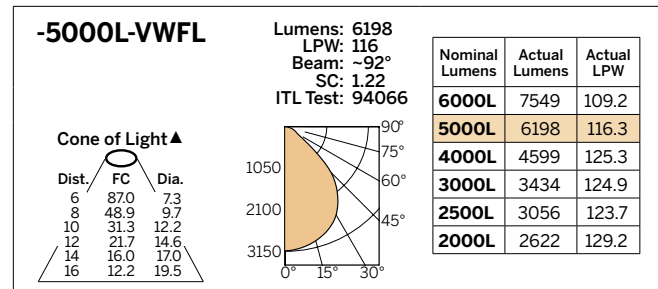
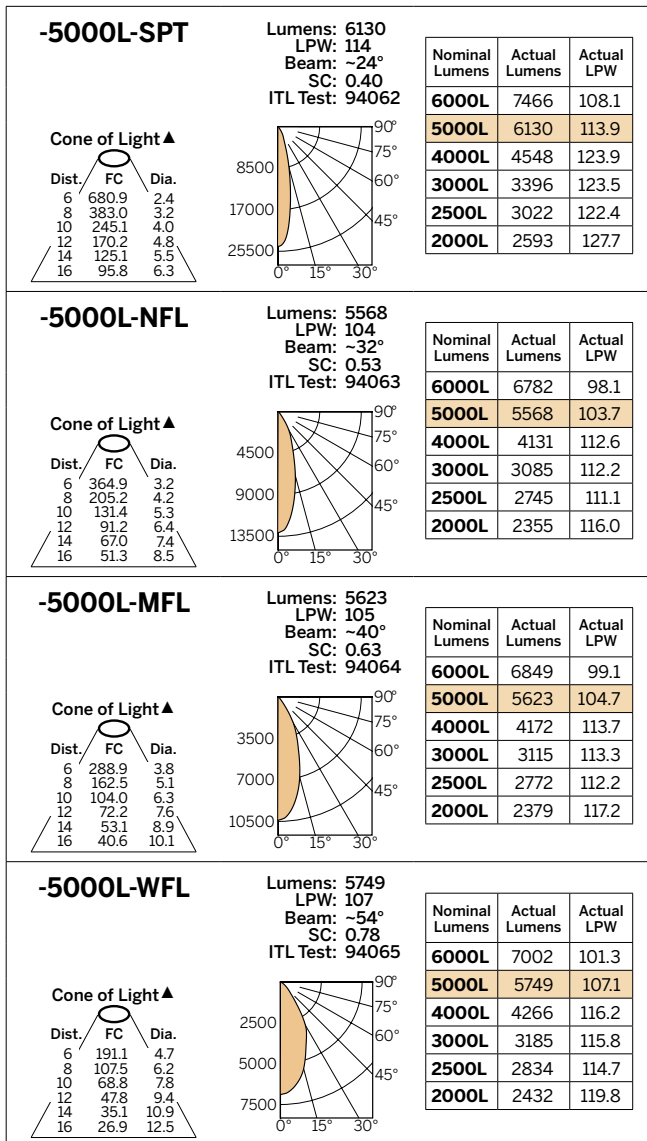
Lumen factors are based on comparable Static White light output.

NOMINAL LUMENS	6500K LUMEN FACTOR	2700K LUMEN FACTOR	NOMINAL WATTS
-2000L	0.65	0.52	20.8
-1500L	0.65	0.52	14.9
-1000L	0.65	0.52	11.4

Photometry - Static White - Installed Complete Fixture

Photometry from I.T.L., Boulder, CO

LM-79 IESNA Certified Photometry from Independent Lab



LED manufacturers maintain a tolerance of +/-7% on flux (lumens) and power (electrical) measurements.

▲ Cone of Light Key Dist. Distance (Ft.) from fixture
Dia. (in ft.) shown is where FC FC Footcandles at nadir (0°)
value is half the FC at nadir. Dia. Circle of light at 50% of FC