

CATALOG #	TYPE	
JOB NAME	WATTAGE	VOLTAGE

Choice Series

Surface Mount 6" x 15" Cylinder • COB LED

60,000 Hours • 1% Dimming, 0-10V

3 Step Binning • Wet Listed • LM-80 and LM-79 Certified

Specifications

Delivered System Performance

- Lumen Series: **Must Specify**
 - 5000L
 - 4000L
 - 3000L
 - 2500L
 - 2000L
 - 1500L
 - 1000L
- Select trim & beam distribution: see chart
- Select color (CCT): see chart; 80+ CRI standard; Option -HC for 90+ (15% lumen loss)
- 60,000 hour life (L70)

Thermal Management System

- All aluminum heat sink and components for cool operation, long life, low maintenance

LED Driver - INTERNAL

- Indoor/Outdoor: -30°C to 60°C (-22°F to 140°F)
- 0-10V CCR 1% dimming standard
- Voltage Options: **Must Specify**
 - UNV - 120-277V (50-60Hz); load insensitive
 - 120 - 120V input (50-60Hz); for -D6

Trim Assembly

- Seamless white self-flanged aluminum
- Regressed tempered clear microprismatic lens
- Molded reflector system
- Option -DA for diffuse acrylic lens
- Option -WA for white acrylic lens
- Option -13 for clear polycarbonate overlay

Aluminum Housing

- Seamless white acrylic enameled finish
- Rustproof: Exceeds 1000 hour ASTM 5% salt spray test
- No visible cylinder hardware
- Cool operation: Extends life of all components
- Fully sustainable: Entire luminaire
- See Options for additional finishes and mounts

Installation

- Center point mounting for snug fit to ceiling; mounting hardware furnished
- Indoor or outdoor for covered ceiling use (see Option -89)

LSC-06RDN



UL, C-UL (Canada), & FCC Compliance

- Wet, damp or dry locations, covered ceilings (see Option -89)
- FCC Part 15 certified for EMI/RFI emissions

FIVE YEAR Limited Warranty

- Complete standard fixture

Declare.



Made in the USA
BABAA Compliant

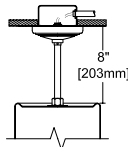
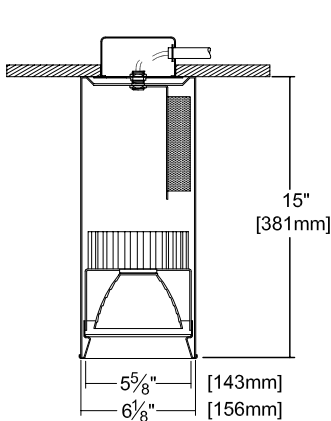


FCC Part 15
Certified



UL Listed
Wet, Damp, Dry

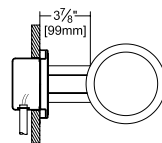
Dimensions



Representative Views:

(Above) With optional pendant mount (Option -PM)

(Below) With optional wall bracket (Option -WB)



Available Source Options

See page 2 for ordering configurations

SW

Static White
5 CCTs Available

TW

Tunable White

WD

Warm Dimming

Static White Options and Ordering Configuration

(Example: LSC-06RDN-3000L-NFL-30K-UNV-EI-38)

Must Specify					Optional				
Model	Lumens	Beam	CCT & CRI	Volts	Driver Options	Emergency Options	Housing Finish	Mounting Options	Other Options
LSC-06RDN									
	-5000L -4000L -3000L -2500L -2000L -1500L -1000L	-SPT -NFL -MFL -WFL	80+ CRI* -27K: 2700°K -30K: 3000°K -35K: 3500°K -40K: 4000°K -50K: 5000°K *Note: Lumen Factor = 0.93 for -27K 90+ CRI** -27K-HC: 2700°K -30K-HC: 3000°K -35K-HC: 3500°K -40K-HC: 4000°K -50K-HC: 5000°K (N/A in -3000L) **Note: Lumen Factor = 0.79 for -27K-HC; All Others = 0.85	-UNV -120	(Blank): Standard 0-10V CCR 1% dim -D2: 0-10V 0.1% dim -D3: DALI 1.0% dim -D4: DALI 100-0.1% dim -D5: DMX512A 0.1% dim; -4000L max; consult factory for use with pendant, cable mount -D6: Triac/ELV dim; 120 volt only; -4000L max -ECO: For use with Lutron EcoSystem controls; Dim to black; Consult factory; -4000L max	(Blank): None -EI: Remote inverter for 100% rated lumens up to -3000L; 90+ minutes; N/A for Options -FS -EI4: Remote emergency inverter for 100% rated lumens up to -4000L; CEC Compliant; 90+ minutes; N/A for Options -FS -EI5: Remote emergency inverter for 100% rated lumens to -5000L; 90+ minutes; N/A for Options -FS -ERH: Remote emergency battery pack; Delivers 1000 lumens; CEC Compliant; 90+ minutes; N/A with pendant, cable mount	(Blank): Standard white enamel -35: Silver enamel finish -37: Dark bronze enamel finish -38: Black enamel finish -94: Custom color/finish; specify; consult factory	(Blank): Standard surface mount -80: 2" surface collar for exposed conduit -87: Custom length pendant/cable; for -ASB, -ASW, -PM -88: Swivel canopy for sloped ceilings to 40°; with -PM -89: WeatherCap cover for wet label; for -80, -PM, -WB -ASB: Aircraft cable, black cord; 48" or see -87; no wet label -ASW: Aircraft cable, white cord; 48" or see -87; no wet label -PM: Pendant stem; 8" stem or see -87; add -89 for wet label -WB: Wall mounted; add -89 for wet label	(Blank): None Lens Options (Blank): Standard Regressed tempered microprismatic lens -13: Clear polycarbonate beneath diffusing lens -DA: Diffuse acrylic lens instead -WA: White acrylic lens instead Other Options * -54: Safety cable, use with -PM -99: Special modification; consult factory -AWN: Athena Wireless Node; N/A for Dimming Options D5, D6, ECO -FS: Fused primary; 1 per LED module; N/A for Options -EI, -E14, E15 *Note: For other integrated control solutions, such as nLight, contact factory
					† For 2 SDCM, consult factory				

Dynamic White Options and Ordering Configuration

(Example: LSC-06RDN-2000L-NFL-3018-UNV-WD7-EI-38)

Must Specify					Optional				
Model	Lumens	Beam	CCT & CRI	Volts	Driver Options	Emergency Options	Housing Finish	Mounting Options	Other Options
LSC-06RDN									
	-2000L -1500L -1000L	-NFL -MFL -WFL	-6527: 6500°K - 2700°K range, 90+ CRI -4018: 4000°K - 1800°K range, 90+ CRI -3518: 3500°K - 1800°K range, 90+ CRI -3018: 3000°K - 1800°K range, 90+ CRI -2718: 2700°K - 1800°K range, 90+ CRI	-UNV	-TW: Dual 0-10V Tunable White control with 0.1% dimming -TW7: DALI dual drive 0.1% tunable white dimming driver instead -TW8: DALI DT8 dual drive 0.1% tunable white dimming driver instead -WD: Warm Dimming 0-10V control with 0.1% dimming; N/A for Option -6527 -WD7: DALI 0.1% warm dimming driver instead; N/A for Option -6527	(Blank): None -EI: Remote inverter for 100% rated lumen output; 90+ minutes; N/A for Options -FS -ERH: Remote emergency battery pack; Delivers 1000 lumens; CEC Compliant; 90+ minutes; N/A with pendant, cable mount	(Blank): Standard white enamel -35: Silver enamel finish -37: Dark bronze enamel finish -38: Black enamel finish -94: Custom color/finish; specify; consult factory	(Blank): Standard surface mount -80: 2" surface collar for exposed conduit -87: Custom length pendant/cable; for -ASB, -ASW, -PM -88: Swivel canopy for sloped ceilings to 40°; with -PM -89: WeatherCap cover for wet label; for -80, -PM, -WB -ASB: Aircraft cable, black cord; 48" or see -87; no wet label -ASW: Aircraft cable, white cord; 48" or see -87; no wet label -PM: Pendant stem; 8" stem or see -87; add -89 for wet label -WB: Wall mounted; add -89 for wet label	(Blank): None Lens Options (Blank): Standard Regressed tempered microprismatic lens -13: Clear polycarbonate beneath diffusing lens -DA: Diffuse acrylic lens instead -WA: White acrylic lens instead Other Options.* -54: Safety cable, use with -PM -99: Special modification; consult factory -AWN: Athena Wireless Node; N/A for Dimming Options TW, TW7 -FS: Fused primary; 1 per LED module; N/A for Option -EI *Note: For other integrated control solutions, such as nLight, contact factory

Performance Factors - Static White

NOMINAL LUMENS	LUMEN FACTOR	NOMINAL WATTS	LPW FACTOR
-5000L	1.000	54.4	1.000
-4000L	0.742	36.7	1.100
-3000L	0.554	27.5	1.096
-2500L	0.493	24.7	1.086
-2000L	0.423	20.3	1.134
-1500L	0.309	14.4	1.167
-1000L	0.226	10.7	1.149

* See notes on page 2 for additional info on Lumen Factors

Performance Factors - Tunable White

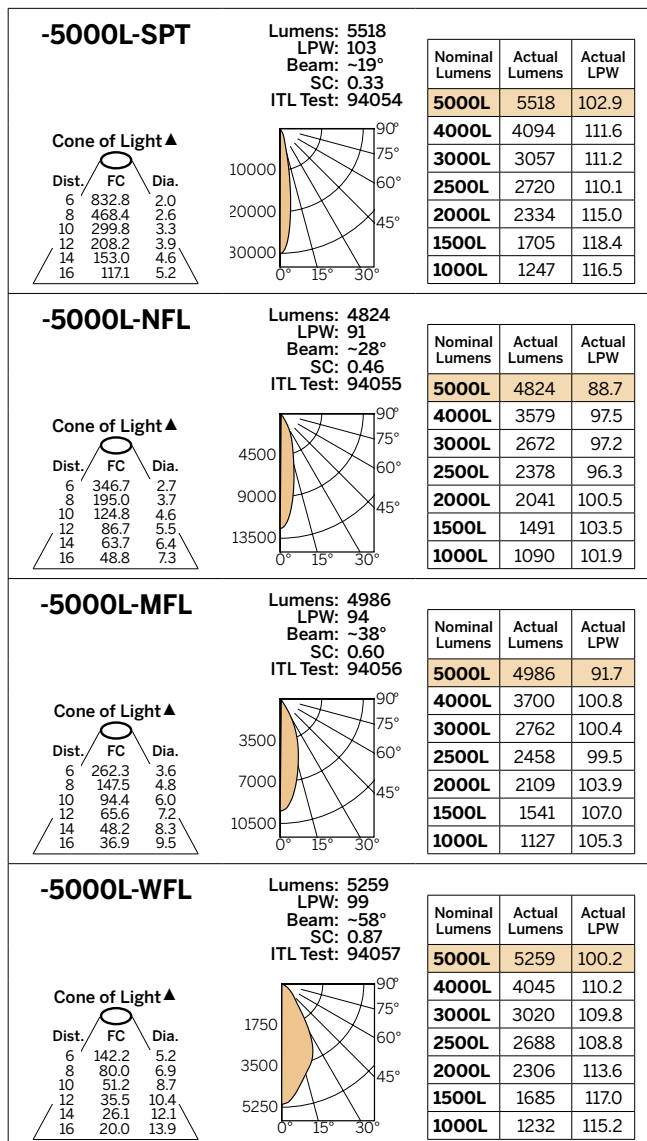
Lumen factors are based on comparable Static White light output.

NOMINAL LUMENS	6500K LUMEN FACTOR	2700K LUMEN FACTOR	NOMINAL WATTS
-2000L	0.65	0.52	20.8
-1500L	0.65	0.52	14.9
-1000L	0.65	0.52	11.4

Photometry - Static White - Installed Complete Fixture

Photometry from I.T.L., Boulder, CO

LM-79 IESNA Certified Photometry from Independent Lab



LED manufacturers maintain a tolerance of +/-7% on flux (lumens) and power (electrical) measurements.

▲ Cone of Light Key
Dist. (in ft.) shown is where FC value is half the FC at nadir.
Dist. Distance (Ft.) from fixture
FC Footcandles at nadir (0°)
Dia. Circle of light at 50% of FC

LIMITED WARRANTY: CATALOGED KIRLIN FIXTURES ARE WARRANTED FREE OF DEFECTS IN WORKMANSHIP OR MATERIAL FOR FIVE YEARS FROM DATE OF PURCHASE. INSTALLATION TO N.E.C. IS NOT NORMAL USE. Manufacturer at this location will replace or repair such fixture or refund the purchase price on presentation of proof of purchase and defective fixture at the office of manufacturer within 90 days of original shipment. Liability of manufacturer is limited to the foregoing, and manufacturer shall not be liable for any other damages, direct or indirect, sustained or suffered by purchaser or any person. This warranty is applicable to the buyer in place of all other warranties, expressed or implied. Seller does not warrant as to merchantability or fitness for a particular use, nor will any oral statement constitute a warranty or amend this specific warranty. Abnormal use, abuse of the fixture, improper installation or repair, or modification of the fixture without prior written authorization from the manufacturer will render the warranty void. CHOICE SERIES SEPTEMBER 2024