

CATALOG #	TYPE	
JOB NAME	WATTAGE	VOLTAGE

Choice Series

3" Cylinder • COB LED

60,000 Hours • 1% Dimming, 0-10V

3 Step Binning • Wet Listed • LM-80 and LM-79 Certified

Specifications

Delivered System Performance

- Lumen Series: **Must Specify**
 - 4000L
 - 3000L
 - 2000L
 - 1500L
 - 1000L
- Select trim & beam distribution: see chart
- Select color (CCT): see chart; 80+ CRI standard; Option -HC for 90+ (15% lumen loss)
- 60,000 hour life

Thermal Management System

- All aluminum heat sink and components for cool operation, long life, low maintenance

LED Driver - Installs in J-BOX

- Indoor/Outdoor: -30°C to 60°C (-22°F to 140°F)
- 0-10V CCR 1% dimming standard
- Voltage Options: **Must Specify**
 - UNV - 120-277V (50-60Hz); load insensitive
 - 120 - 120V input (50-60Hz); for -D6

Optic Assembly

- TIR (Total Internal Reflection) lens molded acrylic

Aluminum Housing

- Seamless white acrylic enameled finish
- Rustproof: Exceeds 1000 hour ASTM 5% salt spray test
- No visible cylinder hardware
- Cool operation: Extends life of all components
- Fully sustainable: Entire luminaire
- See Options for additional finishes and mounts

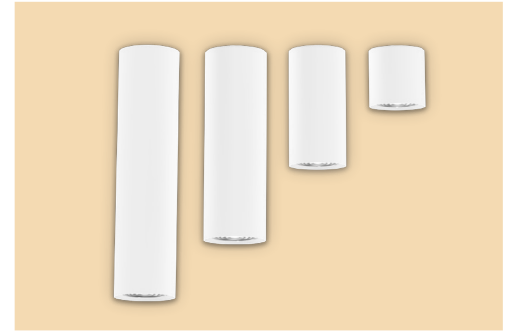
Junction Box - BY OTHERS

- Required: 3¾" square junction box, 3½" deep (RACO CAT#256 recommended)
- Required: 4" square reducer cover, raised ½" (RACO CAT#767 recommended)

Installation

- White cord mount standard
- Black cord mount, see Option **-CMB**
- 48" standard length or see Option **-87**
- Tool-less surface mount, see Option **-SM**
- Wall bracket mount for 9IN or 12IN length, see Option **-WB**
- Mounting plate and hardware furnished

LSC-03RDN



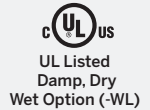
UL, C-UL (Canada), & FCC Compliance

- Cord mount: Damp or dry locations, covered ceilings
- Surface (**-SM**) mount: Damp or dry locations, Wet locations, covered ceilings with **-WL** option
- FCC Part 15 certified for EMI/RFI emissions

FIVE YEAR Limited Warranty

- Complete standard fixture

Declare.



Available Source Options

See page 2 for ordering configurations

SW

Static White
5 CCTs Available

TW

Tunable White

WD

Warm Dimming

Static White Options and Ordering Configuration

(Example: LSC-03RDN-9IN-3000L-NFL-30K-UNV-EI-38)

Must Specify						Optional				
Model	Length	Lumens	Beam	CCT & CRI	Volts	Driver Options	Emergency	Housing	Mounting	Other Options
LSC-03RDN										
	(Blank): -12IN -3IN -6IN -9IN -12IN	-4000L [‡] -3000L [†] -2000L -1500L -1000L	-NFL -MFL -WFL	80+ CRI* -27K: 2700°K -30K: 3000°K -35K: 3500°K -40K: 4000°K -50K: 5000°K 90+ CRI** -27K-HC: 2700°K -30K-HC: 3000°K -35K-HC: 3500°K -40K-HC: 4000°K -50K-HC: 5000°K (-2000L or below)	-UNV -120	(Blank): Standard 0-10V CCR 1.0% dim -D6: Triac/ELV dim; 120 volt only Consult Factory: -D2: 0-10V 0.1% dim -D3: DALI 1.0% dim -D4: DALI 0.1% dim -D5: DMX512A 0.1% dim -ECO: Lutron EcoSys Dim-to-black	(Blank): None -EI: Remote inverter for 100% rated lumens up to -3000L; 90+ minutes; N/A for Options -FS -E14: Remote emergency inverter for 100% rated lumen up to -4000L; CEC Compliant; 90+ minutes; N/A for Options -FS	(Blank): Standard white enamel -35: Silver enamel finish -37: Dark bronze enamel finish -38: Black enamel finish -94: Custom color/finish; specify; consult factory	(Blank): Standard white cord mounting hardware -87: Custom cord length; specify length other than 48" -CMB: Black cord mount instead; 48" standard length or see Option -87 -SM: Surface mount instead -WB: Wall mounted instead; 1 ³ / ₁₆ " arm plus 1/4" wall plate; N/A for -3IN or -6IN lengths	(Blank): None -99: Special modification; consult factory -FS: Fused primary; 1 per LED module; N/A for Options -EI, -E14 -WL: UL Wet Location listed; only available with -SM mounting; Surface plate increases in diameter to 6.625"
		‡ Note: N/A with 3" or 6" lengths † Note: N/A with 3" length		*Note: Lumen Factor = 0.93 for -27K **Note: Lumen Factor = 0.79 for -27K-HC; All Others = 0.85						
				† For 2 SDCM, consult factory						

Dynamic White Options and Ordering Configuration

(Example: LSC-03RDN-9IN-2000L-NFL-3518-UNV-WD-EI-38)

Must Specify						Optional				
Model	Length	Lumens	Beam	CCT & CRI	Volts	Driver Options	Emergency	Housing	Mounting	Other Options
LSC-03RDN										
	(Blank): -12IN -3IN -6IN -9IN -12IN	-2000L -1500L -1000L	-NFL -MFL -WFL	-6527: 6500°K - 2700°K range, 90+ CRI -4018: 4000°K - 1800°K range, 90+ CRI -3518: 3500°K - 1800°K range, 90+ CRI -3018: 3000°K - 1800°K range, 90+ CRI -2718: 2700°K - 1800°K range, 90+ CRI	-UNV	-TW: Dual 0-10V Tunable White control with 0.1% dimming -TW7: DALI dual drive 0.1% tunable white dimming driver instead -TW8: DALI DT8 dual drive 0.1% tunable white dimming driver instead -WD: Warm Dimming 0-10V control with 0.1% dimming; N/A for Option -6527 -WD7: DALI 0.1% warm dimming driver instead; N/A for Option -6527	(Blank): None -EI: Remote inverter for 100% rated lumen output; 90+ minutes; N/A for Options -FS	(Blank): Standard white enamel -35: Silver enamel finish -37: Dark bronze enamel finish -38: Black enamel finish -94: Custom color/finish; specify; consult factory	(Blank): Standard white cord mounting hardware -87: Custom cord length; specify length other than 48" -CMB: Black cord mount instead; 48" standard length or see Option -87 -SM: Surface mount instead -WB: Wall mounted instead; 1 ³ / ₁₆ " arm plus 1/4" wall plate; N/A for -3IN or -6IN lengths	(Blank): None -99: Special modification; consult factory -FS: Fused primary; 1 per LED module; N/A for Option -EI -WL: UL Wet Location listed; only available with -SM mounting; Surface plate increases in diameter to 6.625"

Dimensions

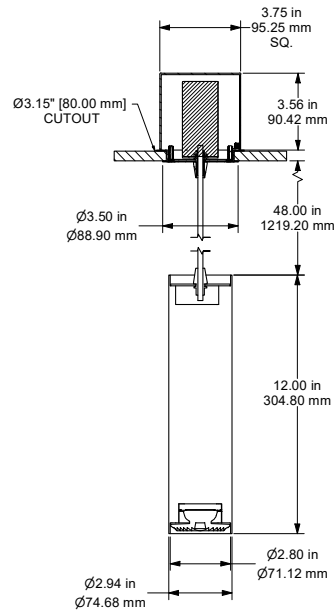
Cable and Surface Mount (-SM)

RACO CAT# 256
3¾" Sq Junction Box,
3½" Deep

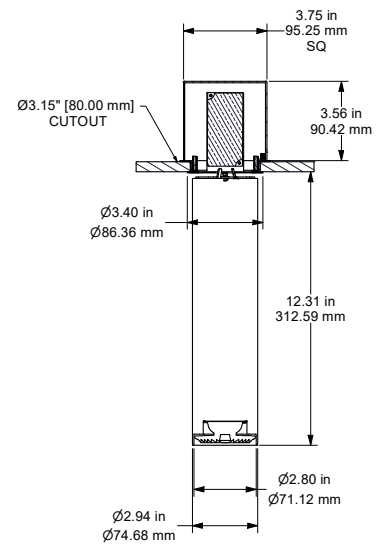
RACO CAT# 767
4" Sq Cover,
Raised ½"

For thicker ceilings consult
factory

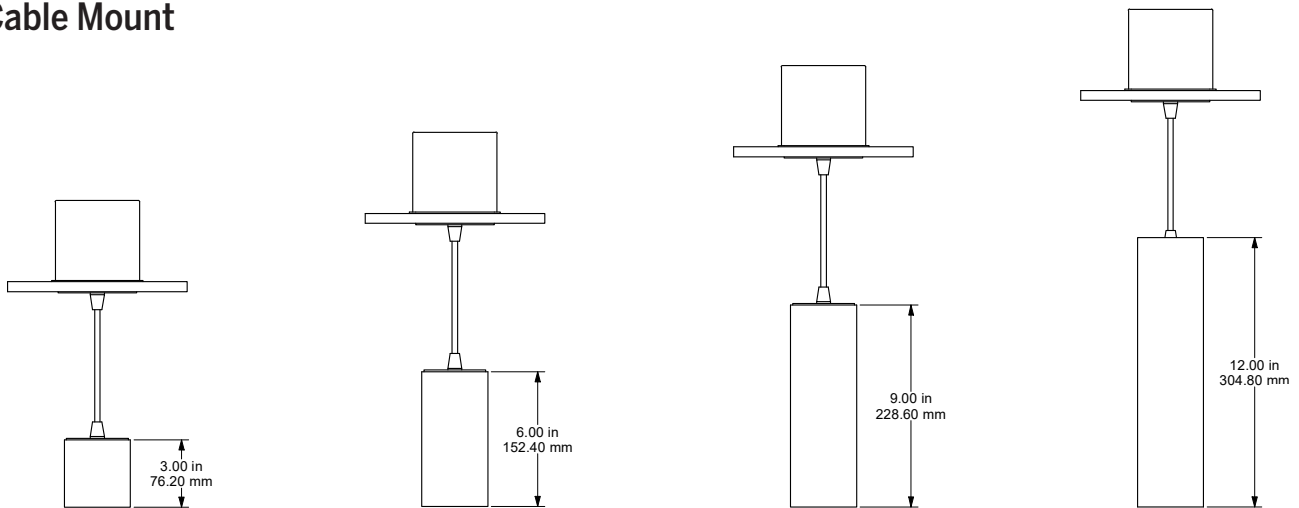
Cable Mount



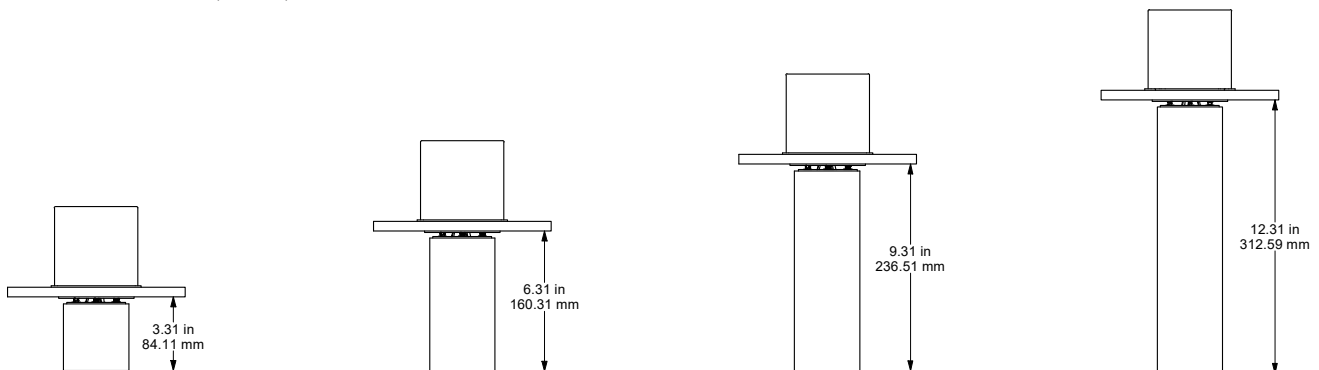
Surface Mount (Option -SM)



Cable Mount



Surface Mount (-SM)



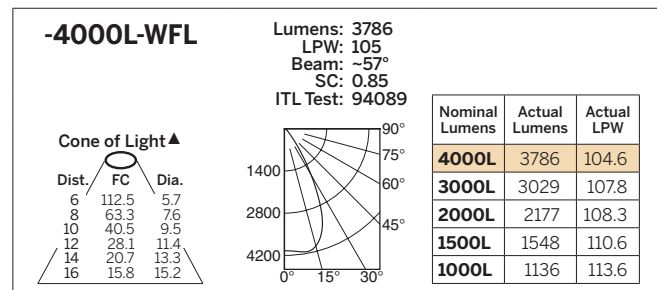
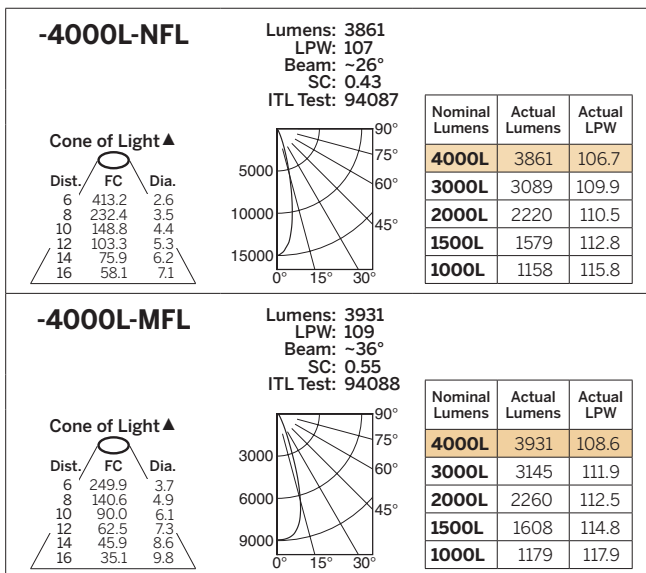
Performance Factors - Static White

NOMINAL LUMENS	LUMEN FACTOR	NOMINAL WATTS	LPW FACTOR
-4000L	1.000	36.2	1.000
-3000L	0.800	28.1	1.078
-2000L	0.575	20.1	1.082
-1500L	0.409	14.0	1.115
-1000L	0.300	10.0	1.135

* See notes on page 1 for additional info on Lumen Factors

Photometry - Static White - Installed Complete Fixture

LM-79 IESNA Certified Photometry from Independent Lab



LED manufacturers maintain a tolerance of +/-7% on flux (lumens) and power (electrical) measurements.

▲ Cone of Light Key Dist. Distance (Ft.) from fixture
Dia. (in ft.) shown is where FC FC Footcandles at nadir (0°)
value is half the FC at nadir. Dia. Circle of light at 50% of FC

LIMITED WARRANTY: CATALOGED KIRLIN FIXTURES ARE WARRANTED FREE OF DEFECTS IN WORKMANSHIP OR MATERIAL FOR ONE YEAR FROM DATE OF PURCHASE. INSTALLATION, IN NORMAL USE. Manufacturer at this option will replace or repair such fixture or refund the purchase price on presentation of proof of purchase and defective fixture at the offices of manufacturer within the warranty period. Liability of manufacturer is limited to the foregoing and manufacturer shall not be liable for any other damages, direct or indirect, sustained or suffered by purchaser or any person. This warranty is applied to the buyer in place of all other warranties, expressed or implied. Seller does not warrant as to merchantability or fitness for a particular use, nor will any oral statement constitute a warranty or amend this specific warranty. Abnormal use, abuse of the fixture, improper installation, or repair or modification of the fixture without prior written authorization from the manufacturer will render the warranty void.