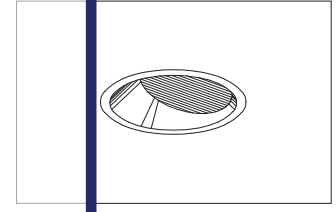


CATALOG #	TYPE	
JOB NAME	WATTAGE	VOLTAGE

6" T6 CERAMIC METAL HALIDE 150 WATT MAXIMUM HRR-06326

150 Watt T6 Wall Wash: Shallow Luminaire  
 LookAlike™ Comparison to Low Voltage and Discharge Lighting



6" Dual Reflector Design

### Specifications

- Lamp**
- Designed for 25° offset T6 bi-pin ceramic metal halide lamp.
  - Up to 96 CFM, 12,000-15,000 hour life.
  - For lower wattages, see Option -43.
- Socket (5kV rated)**
- G12 bi-pin base.
  - Porcelain body. Silicone leads.
- Reflectors**
- Upper: Ellipsoidal specular Alzak® aluminum.
  - Lower: Low brightness angle cut specular Alzak® aluminum, self-flanged.
  - Optional reflector finishes / colors available.
- Lens: UV Absorbing**
- Frosted linear glass lens mounted on reflector.
- Electronic Ballast**
- Full electronic circuit provides constant color and constant wattage, ensuring consistent performance and long life.

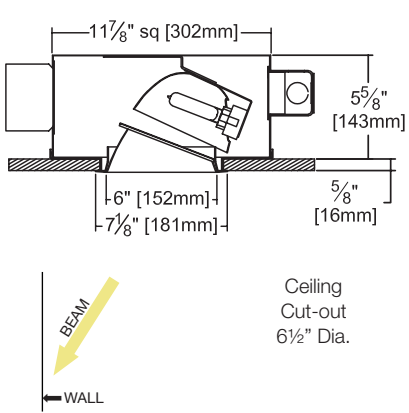
# THIS PRODUCT IS NO LONGER AVAILABLE

## Please consult QUOTATIONS for the best alternative.

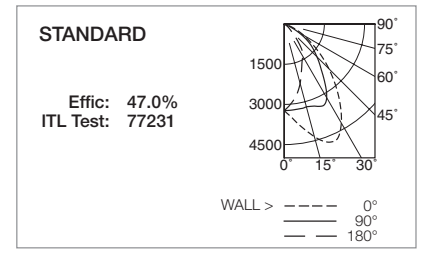
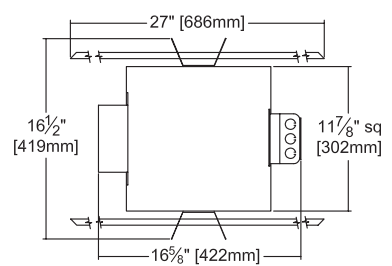
- Input voltage 120V-277V, 50/60 Hz. For other voltages, see options.
- 150 watt standard. Add Option -43 and specify for 100, 70, 39 or Type IC 20 watt.
  - Minimum starting temperature 25°C/-4°F.
  - Maximum ambient temperature 1.5 times rated temperature.
  - Instantaneous temperature shut-off if rated temperature is exceeded.
  - Internally fused.
  - Power factor greater than 90%.
  - Input current THD less than 15%.
  - Maximum 85°C operation, Sound Rated.
- Aluminum Housing**
- Lightweight. Minimizes ceiling load.
  - Cool operation: Extends component life.

- Built-in plaster frame.
- Outlet Box**
- Prewired 14 GA (NEC) galvanized steel, UL listed; with removable insulated cover.
  - 1/2" and 3/4" knockouts.
- Installation**
- 27" galvanized hanger bars with adjustable mounting brackets (2) supplied.
  - Recesses indoor or outdoor in covered locations.
  - See "MARKED SPACINGS CAUTION" below.
- UL, C-UL (Canada) Listings**
- Wet, damp or dry locations, covered ceilings.
  - Through-branch circuit conductors (6 #12).
  - 150 watt only.
- Three Year Limited Warranty**
- Complete standard fixture, including ballast.

### Performance at a Glance



Ceiling Cut-out 6 1/2" Dia.



**"MARKED SPACINGS CAUTION"**  
 FOR STANDARD 150W ONLY, INSTALL WITH MINIMUM SPACINGS AS FOLLOWS:  
 2 FEET BETWEEN CENTERS OF ADJACENT FIXTURES; 1/2" BETWEEN FIXTURE TOP AND OVERHEAD BUILDING MEMBER; 1 FOOT BETWEEN FIXTURE CENTER AND SIDE WALL.

## THE KIRLIN COMPANY

3401 EAST JEFFERSON AVENUE • DETROIT, MICHIGAN 48207-4232  
 (313) 259-6400 • Fax: (313) 259-9409 OR (313) 259-3121 • www.kirlinlighting.com

COMPACT PULSE START  
 METAL HALIDE LIGHTING

MAXIMUM WATTAGE  
 150

CATALOG NUMBER  
 HRR-06326

DUE TO OUR CONTINUING EFFORT TO IMPROVE PRODUCTS, TECHNICAL INFORMATION IS SUBJECT TO CHANGE WITHOUT NOTICE.

Alzak® is a registered trademark of ALCOA.

