

CATALOG #	TYPE
JOB NAME	VOLTAGE

## GAZELLE 5" LED "Dead Front" Showerlight

1% Dimming • WFL • 3500°K • Type IC • 3-Step Binning  
Integrated Module • LM-80 Qualified • LM-79 Photometry

**GRR-05110-2000L**  
**GRR-05110-1500L**



QuickShip  
Program  
Luminaire

### Specifications

#### Delivered System Performance\*

- Lumen Series: **MUST SPECIFY**
- 2000L: 2000 nominal lumens (20W).
- 1500L: 1500 nominal lumens (15W).
- Distribution: WFL.
- Color temperature: 3500°K standard.  
Optional: -30K.
- CRI: 80+. Exceptionally consistent color.
- 50,000 hour life (L70\*\*).
- Fully sustainable: removable for servicing.

#### Thermal Management System

- All aluminum heat sink, components and housing maximize cool operation and long life while minimizing maintenance.

#### LED Power Supply - INTERNAL

- 0-10V linear dimming standard. (100-1%)**
- 120-277V / 50-60Hz standard. Load insensitive.
- Suitable for outdoor / indoor use:  
-30°C (-22°F) to 60°C (140°F).

#### Trim Assembly

- Electrically non-conducting "dead front" design.
- Rustproof. Gasketed.
- White polycarbonate trim with radial clear polycarbonate lens.

#### Shallow 4 1/4" Aluminum Housing

- Rustproof and corrosion resistant: Exceeds 1000 hour ASTM 5% salt spray test.
- Shallow depth fits restricted plenums.
- Cool operation: Extends life of all components.
- Entire luminaire is modular, easily visible and serviced through aperture.
- Built-in plaster flange.

#### Outlet Box

- UL listed J-box with insulated removable cover. Prewired 14 GA (NEC) with 1/2" and 3/4" knockouts.

#### Installation

- Recess indoor or outdoor.
- Accommodates ceilings up to 1-1/8" thick.
- Compatible with fire rated enclosures (by others).

- 27" galvanized hanger bars with adjustable mounting brackets (2) supplied.

#### UL, C-UL (Canada) Listings

- Wet, damp or dry locations, covered ceilings.
- Type IC: for direct contact with insulation.
- Through-branch conductors (4 #12 AWG 90°C) for Type IC Listing.

#### IEC & FCC Compliance

- Meets IEC/EN 60601-1-2 electromagnetic compatibility standard for medical electrical equipment.
- FCC Part 15 certified for EMI/RFI emissions.



**FIVE YEAR**  
**Limited Warranty**

- Complete standard fixture.

MUST SPECIFY	OPTIONAL	Ordering Example: <b>GRR-05110-2000L-EI</b>
Product Number	Options	
<b>GRR-05110-2000L</b> <b>GRR-05110-1500L</b>	See "Options" below	

### Options

#### LED Power Supply

- EI Remote emergency inverter for 100% of rated lumens. Run time: 90+ minutes. 120 or 277V, 60 Hz input only. Specify voltage.

#### Color (CCT)

- 30K Color temperature 3000°K instead.

Projected L70** for Kirlin Luminaires	
In Open Plenum	50,000 hours
In Insulation (Type IC)	50,000 hours

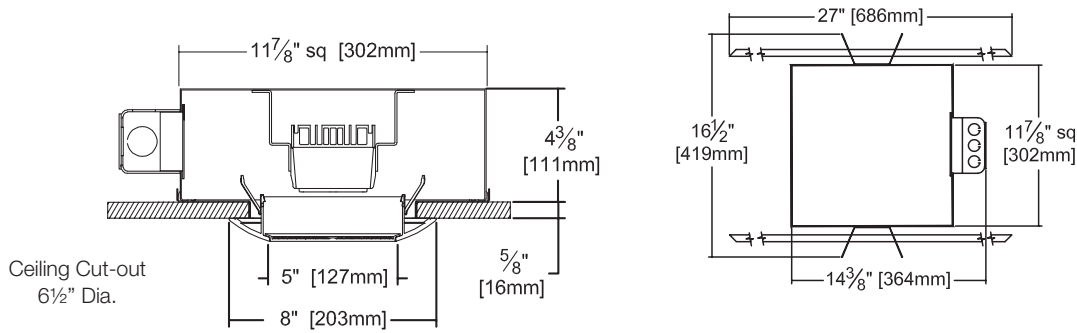
\*\*Hours at 70% lumen maintenance



QuickShip  
Program  
Luminaire

- Orders received by 10 AM (ET) ship by 5 PM within 5 business days
- Freight allowed: Over \$8000
- Consult factory for quantities greater than 200 units

**Dimensions**



**Detailed Photometry - Installed Fixture**

Photometric testing done in accordance with IESNA LM-79

Photometry from I.T.L., Boulder, CO

**-2000L (WFL)**

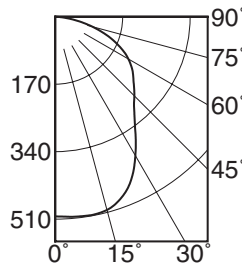
Lumens: 1351  
 Beam: ~61°  
 SC: 1.2  
 LPW: 67  
 Efficiency: 67.6%  
 ITL Test: 90406



**Cone of Light ▲**

Dist.	FC	Dia.
6	14.0	7.1
8	7.9	9.5
10	5.0	11.9
12	3.5	14.3
14	2.6	16.7
16	2.0	19.0

Total System Watts 20.3



	CANDLEPOWER DISTRIBUTION				
	0.0	22.5	45.0	67.5	90.0
0	503	503	503	503	503
5	506	506	506	506	506
15	504	504	504	504	504
25	453	453	453	453	453
35	352	352	352	352	352
45	282	282	282	282	282
55	238	238	238	238	238
65	180	180	180	180	180
75	97	97	97	97	97
85	17	17	17	17	17
90	0	0	0	0	0

LUMEN SERIES	LUMEN FACTOR	WATTAGE FACTOR	LPW FACTOR
-2000L	1.00	1.00	1.00
-1500L	.75	.75	1.00

**LM-80 Qualified • LM-79 Certified Photometry**

\* LED manufacturers maintain a tolerance of ±7% on flux (lumens) and power (electrical) measurements. Kirlin photometrics are actual test data from Independent Testing Laboratories (ITL) where photometry was measured from 2000 lumen (-2000L) light engines (within the established tolerance).

▲ **Cone of Light Key**  
 Dia. (in ft.) shown is where FC value is half the FC at nadir.

Dist. Distance (Ft.) from fixture  
 FC Footcandles at nadir (0°)  
 Dia. Circle of light at 50% of FC

**SUBMITTAL DATA**

JOB NAME \_\_\_\_\_  
 TYPE \_\_\_\_\_ VOLTAGE \_\_\_\_\_  
 CATALOG NUMBER \_\_\_\_\_

**APPROVAL STAMP**



LIMITED WARRANTY: CATALOGED KIRLIN FIXTURES ARE WARRANTED FREE OF DEFECTS IN WORKMANSHIP OR MATERIAL FOR FIVE YEARS FROM DATE OF PURCHASE. INSTALLED TO N.E.C. IN NORMAL USE. Manufacturer at the option will replace or repair such fixture or refund the purchase price on presentation of proof of purchase and defective fixture to the office of manufacturer within the years of original shipment. Liability of manufacturer is limited to the foregoing, and manufacturer shall not be liable for any other damages, direct or indirect, sustained or suffered by purchaser or any person. This warranty is supplied to the buyer in place of all other warranties, expressed or implied. Seller does not warrant as to merchantability or fitness for a particular use, nor will any oral statement constitute a warranty or amend this specific warranty. Abnormal use, abuse of the fixture, improper installation, or repair or modification of the fixture without prior written authorization from the manufacturer will render the warranty void.