

CATALOG #	TYPE	
JOB NAME	WATTAGE	VOLTAGE

Gazelle Series

4" Regressed Lens Downlight • LED

Type IC • LM-79 Certified • LM-80 Qualified



QuickShip
Program
Luminaire

GRR-04205



Specifications

Delivered System Performance

- Nominal Lumens: **Must Specify**

Type IC

-2000L

-1500L

-1000L

- Select trim & beam distribution: see chart
- Select color (CCT): see chart; 80+ CRI standard
- 90,000 hour life (L70**)

Thermal Management System

- Aluminum heat sink and components for cool operation, long life, and low maintenance

LED Driver - INTERNAL

- Indoor/Outdoor: -30°C to 60°C (-22°F to 140°F)
- 0-10V CCR 10% dimming standard
- 120-277V / 50-60 Hz standard; load insensitive

Trim

- White aluminum self-flanged downlight (field paintable)

Acrylic Enameled Aluminum Housing

- Rustproof and corrosion resistant: exceeds 1000 hour ASTM 5% salt spray test
- Shallow depth fits restricted plenums
- Cool operation extends component life
- Modular design; visible and fully serviceable through aperture
- Built-in plaster flange

Outlet Box (Galvanized)

- UL Listed, 14GA, insulated, removable cover
- ½" and ¾" knockouts

Installation & Hardware

- Indoor/outdoor in ceilings up to 1½" thick
- Compatible with fire rated enclosures (by others)
- 27" hanger bars & adjusting brackets (2) supplied

UL, C-UL (Canada) Compliance

- Wet, damp or dry locations, covered ceilings
- Type IC for direct contact with insulation
- Through-branch conductors (4 #12 AWG 90°C) for Type IC Listing

IEC & FCC Compliance

- Meets IEC/EN 60601-1-2 electromagnetic compatibility standard for medical electrical equipment
- FCC Part 15 certified for EMI/RFI emissions

FIVE YEAR Limited Warranty

- Complete standard fixture

Options and Ordering Configuration

(Example:GRR-04205-2000L-120-MFL-41K-46)



Must Specify										
Model	Lumens	Volts	Beam	CCT [†] & CRI	Emergency Options	Trim Options				
GRR-04205										
	-2000L -1500L -1000L	(Blank): 120-277 -120 -277	(Blank): WFL -NFL -MFL -WFL	(Blank): 3500°K, 80+ CRI -30K: 3000°K -35K: 3500°K -41K: 4100°K	(Blank): None -EI: Remote emergency inverter for 100% rated lumens; Run time: 90+ minutes. 120 or 277V, 60 Hz input only. Specify voltage.	(Blank): Standard white aluminum -45: Gasket between trim & ceiling -46: Gasket between trim & lens				
<p>Projected L70** for Kirlin Luminaires</p> <table border="1"> <tr> <td>In Open Plenum</td> <td>90,000 hours</td> </tr> <tr> <td>In Insulation (Type IC)</td> <td>60,000 hours</td> </tr> </table> <p>**Hours at 70% lumen maintenance</p>							In Open Plenum	90,000 hours	In Insulation (Type IC)	60,000 hours
In Open Plenum	90,000 hours									
In Insulation (Type IC)	60,000 hours									



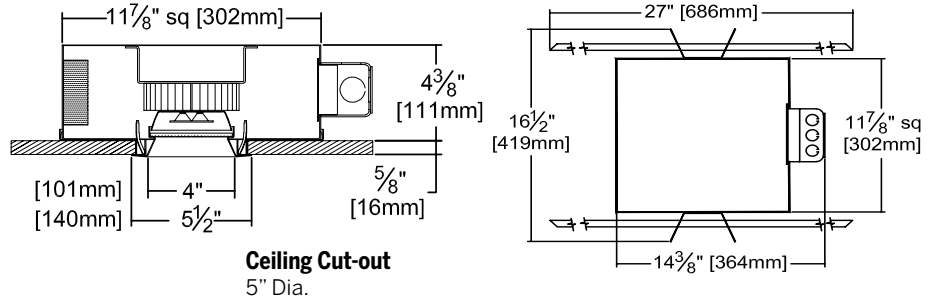
QuickShip
Program
Luminaire

- Orders received by 10 AM (ET) ship by 5 PM within 5 business days
- Freight allowed: Over \$8000
- Consult factory for quantities greater than 200 units

Performance Factors

NOMINAL LUMENS	LUMEN FACTOR	NOMINAL WATTS	LPW FACTOR
-2000L	1.257	28.7	0.92
-1500L	1.00	21.0	1.00
-1000L	0.579	10.4	1.17

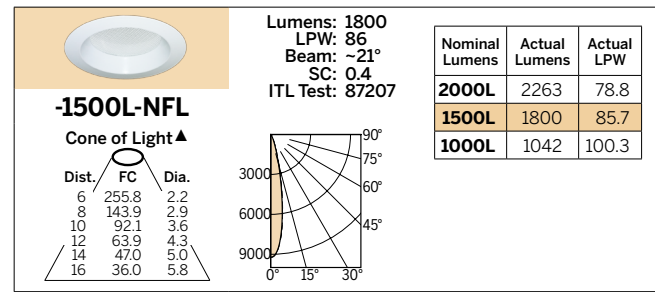
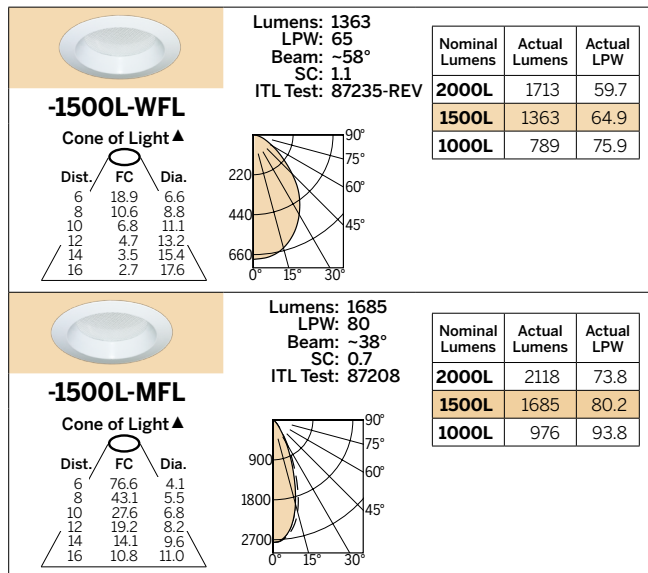
Dimensions



* See notes on page 1 for additional info on Lumen Factors

Photometry - Installed Complete Fixture

LM-79 IESNA Certified Photometry from Independent Lab



QuickShip
Program
Luminaire

LED manufacturers maintain a tolerance of +/-7% on flux (lumens) and power (electrical) measurements.

▲ **Cone of Light Key** Dist. Distance (Ft.) from fixture
Dia. (in ft.) shown is where FC FC Footcandles at nadir (0°)
value is half the FC at nadir. Dia. Circle of light at 50% of FC