

CATALOG #	TYPE	
JOB NAME	WATTAGE	VOLTAGE

# Gazelle Series

4" Downlight • COB LED  
Type IC • LM-79 Certified • LM-80 Qualified



QuickShip Program Luminaire

# GRR-04202



## Specifications

### Delivered System Performance

- Nominal Lumens: **Must Specify**

Type IC  
-2000L  
-1500L  
-1000L

- Select trim & beam distribution: see chart
- Select color (CCT): see chart; 80+ CRI standard
- 90,000 hour life (L70\*\*)

### Thermal Management System

- Aluminum heat sink and components for cool operation, long life, and low maintenance

### LED Driver - INTERNAL

- Indoor/Outdoor: -30°C to 60°C (-22°F to 140°F)
- 0-10V CCR 10% dimming standard
- 120-277V / 50-60 Hz standard; load insensitive

### Trim

- White aluminum self-flanged downlight (field paintable)

### Acrylic Enameled Aluminum Housing

- Rustproof and corrosion resistant: exceeds 1000 hour ASTM 5% salt spray test
- Shallow depth fits restricted plenums
- Cool operation extends component life
- Modular design; visible and fully serviceable through aperture
- Built-in plaster flange

### Outlet Box (Galvanized)

- UL Listed, 14GA, insulated, removable cover
- 1/2" and 3/4" knockouts

### Installation & Hardware

- Indoor/outdoor in ceilings up to 1 1/8" thick
- Compatible with fire rated enclosures (by others)
- 27" hanger bars & adjusting brackets (2) supplied

### UL, C-UL (Canada) Compliance

- Wet, damp or dry locations, covered ceilings
- Type IC for direct contact with insulation
- Through-branch conductors (4 #12 AWG 90°C) for Type IC Listing

### IEC & FCC Compliance

- Meets IEC/EN 60601-1-2 electromagnetic compatibility standard for medical electrical equipment
- FCC Part 15 certified for EMI/RFI emissions

### FIVE YEAR Limited Warranty

- Complete standard fixture

## Options and Ordering Configuration

(Example:GRR-04202-1000L-277-MFL-41K)



Must Specify										
Model	Lumens	Volts	Beam	CCT <sup>†</sup> & CRI	Emergency Options	Trim Options				
GRR-04202	-2000L -1500L -1000L	(Blank): 120-277  -120 -277	(Blank): WFL  -SPT -NFL -MFL -WFL	(Blank): 3500°K, 80+ CRI  -30K: 3000°K -35K: 3500°K -41K: 4100°K	(Blank): None  -EI: Remote emergency inverter for 100% rated lumens; Run time: 90+ minutes. 120 or 277V, 60 Hz input only. Specify voltage.	(Blank): Standard white aluminum  -45: Gasket between trim & ceiling				
<p><b>Projected L70** for Kirlin Luminaires</b></p> <table border="1"> <tr> <td>In Open Plenum</td> <td>90,000 hours</td> </tr> <tr> <td>In Insulation (Type IC)</td> <td>60,000 hours</td> </tr> </table> <p>**Hours at 70% lumen maintenance</p>							In Open Plenum	90,000 hours	In Insulation (Type IC)	60,000 hours
In Open Plenum	90,000 hours									
In Insulation (Type IC)	60,000 hours									



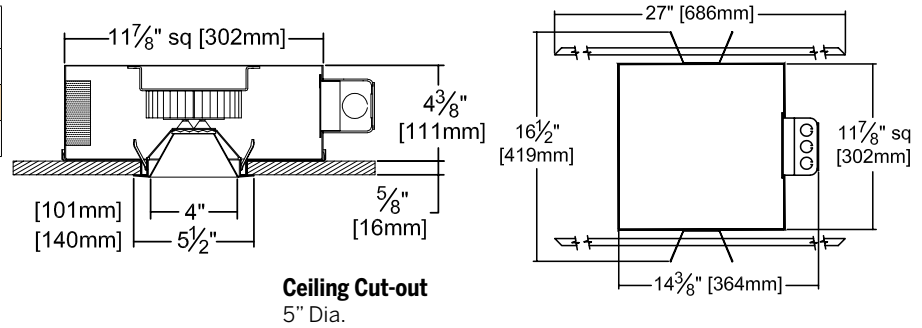
QuickShip Program Luminaire

- Orders received by 10 AM (ET) ship by 5 PM within 5 business days
- Freight allowed: Over \$8000
- Consult factory for quantities greater than 200 units

## Performance Factors

NOMINAL LUMENS	LUMEN FACTOR	NOMINAL WATTS	LPW FACTOR
-2000L	1.257	28.6	0.92
-1500L	1.00	20.9	1.00
-1000L	0.579	10.3	1.17

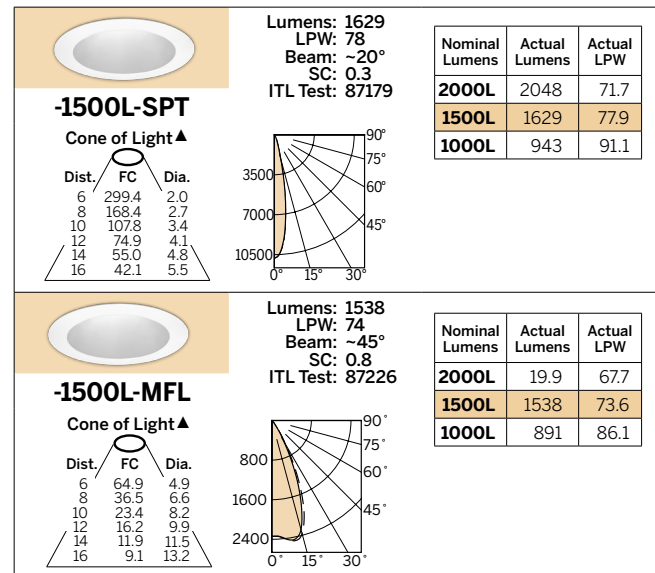
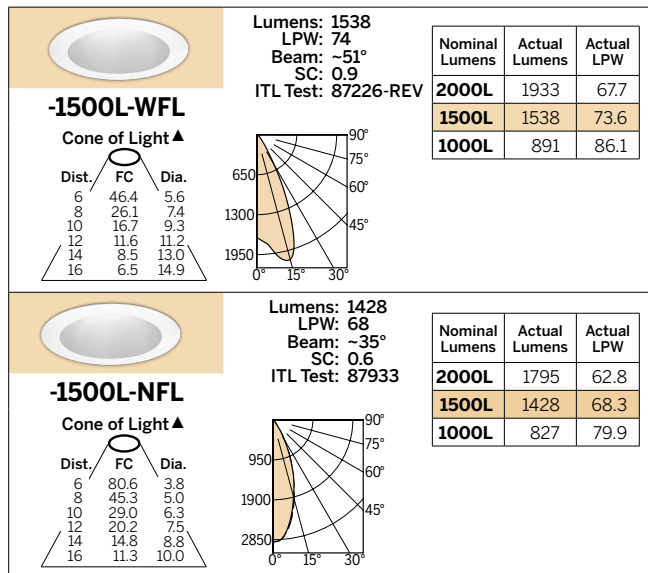
## Dimensions



\* See notes on page 1 for additional info on Lumen Factors

## Photometry - Installed Complete Fixture

LM-79 IESNA Certified Photometry from Independent Lab



QuickShip  
Program  
Luminaire

LED manufacturers maintain a tolerance of +/-7% on flux (lumens) and power (electrical) measurements.

▲ **Cone of Light Key** Dia. (in ft.) shown is where FC value is half the FC at nadir.  
**Dist.** Distance (Ft.) from fixture  
**FC** Footcandles at nadir (0°)  
**Dia.** Circle of light at 50% of FC