

FIG. 1

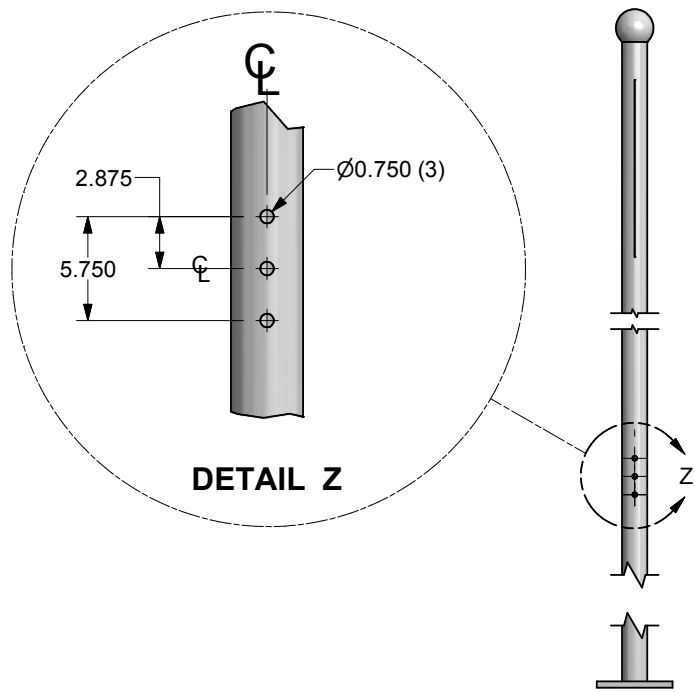


FIG. 2

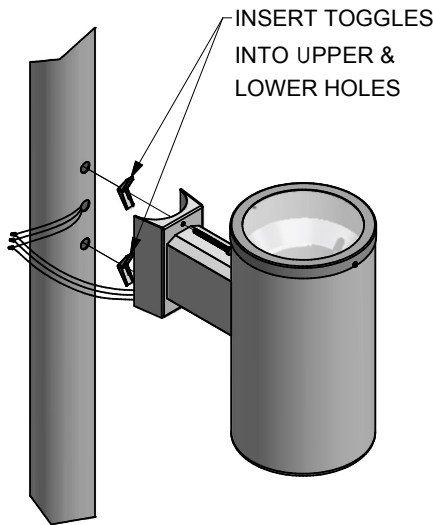


FIG. 3

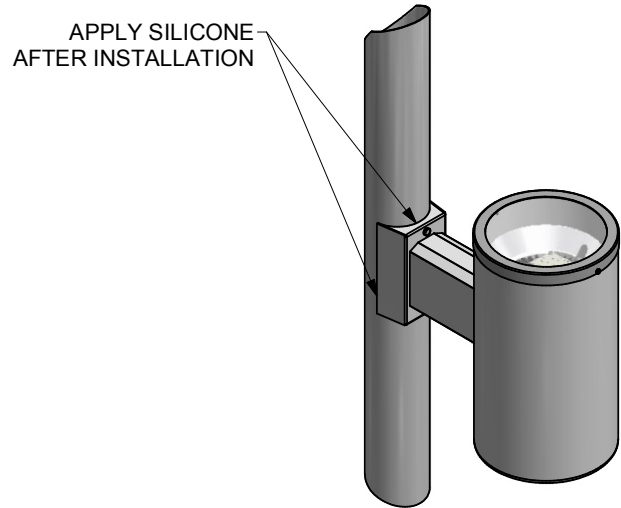


FIG. 4

MOUNTING INSTRUCTIONS

1. LOCATE DESIRED MOUNTING POSITION AS SHOWN IN FIG. 1.
2. DRILL (3) Ø3/4" HOLES AS SHOWN IN FIG. 2 DETAIL Z.
3. ROUTE THE ELECTRICAL WIRES INSIDE OF THE POLE UP TO THE CENTER Ø3/4" HOLE.
4. CONNECT THE ELECTRICAL WIRES TO THE FIXTURE AND STUFF THE WIRE NUTS BACK INTO THE CENTER Ø3/4" HOLE IN THE POLE AS SHOWN IN FIG. 3.
5. INSERT THE (2) 1/4-20 x 3" BOLTS THROUGH THE MOUNTING BRACKET & CONNECT THE (2) 1/4-20 TOGGLES ON THE BACK SIDE OF THE BRACKET. INSERT THE TOGGLES INTO THE TOP & BOTTOM Ø3/4" HOLES & TIGHTEN THE BOLTS AS SHOWN IN FIG. 3.
6. APPLY A BEAD OF SILICONE AROUND THE BRACKET AFTER MOUNTING TO PREVENT MOISTURE INTRUSION AS SHOWN IN FIG. 4.

INSTALL IN ACCORDANCE WITH ALL APPLICABLE NATIONAL AND LOCAL ELECTRIC CODES
 INSTALL IN ACCORDANCE WITH ALL MARKINGS APPEARING ON OR INSIDE LUMINAIRES