

CATALOG #	TYPE	
JOB NAME	WATTAGE	VOLTAGE

13" x 13" 4 Triple 57 WATT MAXIMUM

FWS-13119

100W MH Equivalent Direct/Indirect: Wall Mount

Features

Lamp

- Designed for two direct/two indirect 4-pin triple/four tube amalgam compact fluorescent lamps: two each 57W triple/four tube direct and indirect.

Ballast: Multi-Voltage

- Installed electronic high power factor, thermally protected. For lower wattages: Option -43.
- 120-277 multi-volt; 50/60 Hz. THD < 10%.
- ClickQuick connectors for easy service.
- Single circuit wiring or see Option -86.
- Cold weather -22°F (-30°C).
- End of lamp life protection circuit. RFI filter.
- Internally fused. Also see Options -FS, -FD.

Reflectors

- GlasSurface™ multi-faceted specular aluminum reflector.

Trim Assemblies

- Shock-resistant, UV absorbing, static only, wide spread Kirlin lens. See Options for others.

- Rustfree polished nickel stainless door (304-L) and captive thumb screw. Concealed hinges.
- Beveled cast aluminum frame. White finish.

Aluminum Housing

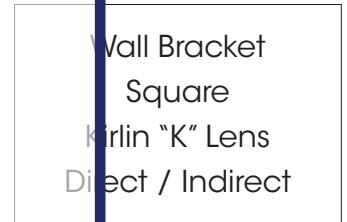
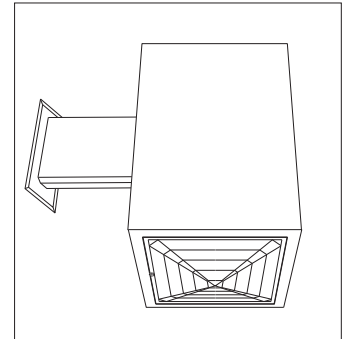
- Rigid, rustproof with white acrylic enameled finish.
- Exceeds 1000 hour ASTM 5% salt spray test.
- No visible housing hardware.
- Cool operation: Extends component life.

Installation

- See Bulletin 05-07FL for mounting details.
- Wiring to be done by a qualified electrician.
- Mounting gear available as an option.
- Indoor or outdoor for covered ceiling use. (See Option -86)

UL, C-UL (Canada) Listings

- Wet lamp for outdoor use. See Option -89.
- See Option -89 for details.
- Complete standard fixture and ballast.



- Selected Optional Lens:
- Tempered Prismatic C#73 Option -15

THIS PRODUCT IS NO LONGER AVAILABLE

Please consult QUOTATIONS for the best alternative.

Performance at a Glance

FWS-13119



2 LAMPS IN EACH POSITION

THE KIRLIN COMPANY

3401 EAST JEFFERSON AVENUE • DETROIT, MICHIGAN 48207-4232
(313) 259-6400 • Fax: (313) 259-9409 OR (313) 259-3121 • www.kirlinlighting.com

RENAISSANCE SERIES
COMPACT FLUORESCENT LIGHTING

MAXIMUM WATTAGE
2/2 Triple 57

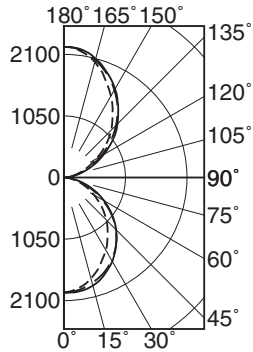
CATALOG NUMBER
FWS-13119

DUE TO OUR CONTINUING EFFORT TO IMPROVE PRODUCTS, TECHNICAL INFORMATION IS SUBJECT TO CHANGE WITHOUT NOTICE.

Detailed Photometry - Installed Fixture

Photometry from I.T.L., Boulder, CO

FWS-13119 (2/2 Triple 57)



----- 0° SC 1.1
 - - - - 45° SC 1.2
 _____ 90° SC 1.2

EFFICIENCY : 60.5%

CANDLEPOWER DISTRIBUTION					
	0.0	22.5	45.0	67.5	90.0
0	1962	1962	1962	1962	1962
10	1872	1889	1914	1939	1949
30	1433	1533	1626	1649	1652
50	879	1016	1100	1104	1113
70	343	394	427	448	470
90	29	32	28	38	47
110	351	391	401	434	459
130	979	1060	1083	1116	1140
150	1604	1672	1721	1744	1744
170	2138	2151	2158	2177	2179
180	2228	2228	2228	2228	2228

COEFFICIENTS OF UTILIZATION							
RF	20						
	80			50			
RC	70	50	30	10	50	30	10
1	59	56	54	52	44	42	41
2	54	49	46	43	39	36	34
3	49	43	39	35	34	31	29
4	45	38	34	30	30	27	24
5	41	34	29	26	27	24	21
6	38	31	26	22	24	21	118
7	35	28	23	20	22	19	16
8	33	25	20	17	20	17	14
9	30	23	18	15	18	15	13
10	28	21	17	14	14	14	12

ITL TEST #54929 *LER=41.5 •AEC=\$5.78

* LER = Luminaire Efficiency Rating

LER = $\frac{\text{Luminaire Effic.} \times \text{Total Lamp Lumens} \times \text{Ballast Factor}}{\text{Input Watts}}$

• AEC = Annual Energy Cost per 1000 lumens (based on 3000 hours use @ \$0.08 KWH).

Options

Ballast, Wattage and Voltage

- 43 Lower wattage: for 4-pin 4x42/32/26W triple or 26W quad (multi-wattage/voltage). Specify wattage.
- 84 Wired for two circuits. Also see -FD.
- 97 Specify other voltage. Consult factory.
- 98 347 volt, 50/60 Hz. input. Consult factory.

Emergency Ballast - Specify Voltage¹

- Remote (field mounted) ballast, test switch and indicator light. Suitable for damp locations from 0° to 50°C (32° to 122°F) or with Cold Weather version (see -CR) -20° to 55°C (-4° to 131°F).
- 75 Remote 1-lamp EM ballast (direct position). Specify voltage.
 - CR Remote cold weather (-20° to 55°C) 1-lamp EM ballast (direct position). Specify voltage.
 - HR¹ Remote higher lumen (up to 1250) 1-lamp EM ballast (direct position). 13-42W only.

Lenses (Direct Position Only)

- 13 Vandal resistant tempered prismatic C#73 spread lens above 1/8" flat polycarbonate.
- 14 Drop opal glass diffuser.
- 15 Tempered prismatic C#73 lens.
- 18 Opal flat glass diffuser.
- 20 White aluminum 1/2" cube egg-crate louver.
- 21 White flat polycarbonate diffuser.
- 26 Tamper-resistant recessed hex screw with center pin. 1 key/10 fixtures.
- CF High temperature color filter. Specify color. Use with Options -13, -15, -18, -21 only.
- DG Drop Guard with tempered C#73.
- DH Drop Holophane tempered lens.
- UV UV filter. Use with Options -13, -15, -18, -21 only. Consult factory.

Trims (Direct and Indirect Position)

- 45 Gasket between trim and housing.
- 46 Gasket between trim and lens.

Luminaire (Housing) Finishes

- 35 Natural aluminum acrylic enamel.

- 36 Gold acrylic enamel.
- 37 Dark Bronze acrylic enamel.
- 38 Black acrylic enamel.
- 94 Custom color/finish. Specify. Consult factory.

Mounting

- 87 Custom wall bracket length. Specify length.

Other

- 86 Prismatic WeatherCap (indirect position) tempered glass lens. Required for wet label.
- 99 Special modification. Consult factory.
- DN Downlight only version of direct/indirect luminaire.
- FD Two in-line fuses. One per ballast. Use with Option -84. Not available with Option -98 (347V).
- FS Additional in-line fuse. Not available with Option -98 (347V).
- LE With 4-pin electronic lamp. 3500°K standard. 82 CRI and 12,000 hour life. Specify wattage, style and color temperature.

¹ Visit www.kirlinlighting.com for most current performance / specifications.

SUBMITTAL DATA

JOB NAME

TYPE

WATTAGE

VOLTAGE

CATALOG NUMBER

APPROVAL STAMP

LIMITED WARRANTY: CATALOGED KIRLIN FIXTURES ARE WARRANTED FREE OF DEFECTS IN WORKMANSHIP OR MATERIAL FOR THREE YEARS FROM DATE OF PURCHASE. INSTALLER TO N.E.C. IN NORMAL USE. Manufacturer at his option will replace or repair such fixture or refund the purchase price on presentation of proof of purchase and defective fixture at the offices of manufacturer within three years of original shipment. Liability of manufacturer is limited to the foregoing, and manufacturer shall not be liable for any other damages, direct or indirect, sustained or suffered by purchaser or any persons. This warranty is supplied to the buyer in place of all other warranties, expressed or implied. Seller does not warrant as to merchantability or fitness for a particular use, nor will any oral statement constitute a warranty or amend this specific warranty. Abnormal use, abuse of the fixture, improper installation, or repair, or modification of the fixture without prior written authorization from the manufacturer will render the warranty void.