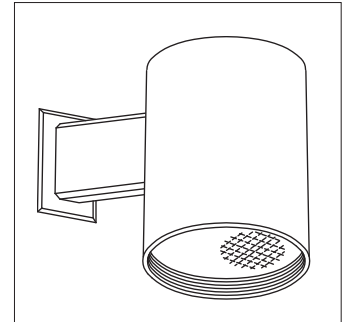


CATALOG #	TYPE	
JOB NAME	WATTAGE	VOLTAGE

12" 2 Triple 70 WATT MAXIMUM

FWR-12072

Lensed Direct/Indirect for 2 Lamps



Features

Lamp

- Designed for 4-pin triple/four tube amalgam compact fluorescent lamps: one each 70W triple/four tube direct and indirect.

Ballast: Multi Voltage

- Installed electronic high power factor, thermally protected. For lower wattages: Option -43.
- 120-277 multi-volt; 50/60 Hz; 100V/120V/277V.
- ClickQuick connectors for easy installation.
- Single circuit wiring or see Option -84 for double circuit.
- Cold weather -22°F (-30°C).
- End of lamp life protection circuit. RFI filter.
- Internally fused. Also see Option -85, -86.

Reflectors

- Specular Alzak® aluminum.

Trim Assemblies

- Direct: Tapered aluminum one piece black

OptiGroove with white flange or see Option -40. Regressed tempered prismatic C#73 lens.

- Indirect: Tempered C#73 prismatic glass lens.

Housing

- Seamless white acrylic enameled aluminum with wall bracket.
- Rustproof: Exceeds 1000 hour ASTM 5% salt spray test.
- No visible hardware.
- Cool operation: Extends component life.

- Aluminum extrusion assembled housing.
- Wall plate included for recessed or ceiling mount.
- Mounting hardware included.
- Indoor/outdoor for covered ceiling use (see -86).

UL, C-UL (Canada) Listings

- Wet location or damp location covered ceiling.
- See Option -86 for outdoor use.
- Three (3) Lamps (Direct/Indirect)
- Complete standard fixture and ballast.

Wall Bracket
Round
Direct / Indirect
Regressed Lens

Selected Optional Trims:

- White Grooveless Flare Option -40
- Fresnel Lens Option -FR

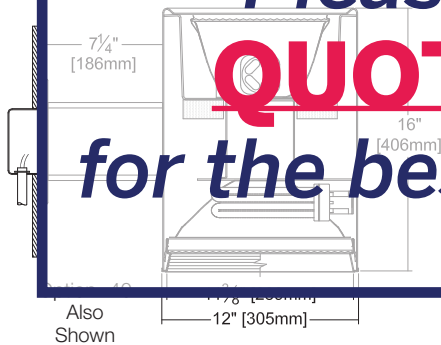
Optional Mount:

- Pendant Option -PM

THIS PRODUCT IS NO LONGER AVAILABLE

Performance at a Glance

FWR-12072

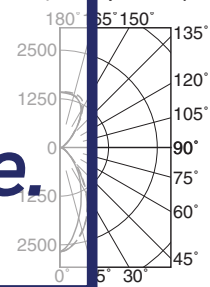


Please consult

QUOTATIONS

for the best alternative.

FWR-12072
(1/1 Triple 70W)



EFFICIENCY: 52.4%

THE KIRLIN COMPANY

3401 EAST JEFFERSON AVENUE • DETROIT, MICHIGAN 48207-4232
(313) 259-6400 • Fax: (313) 259-9409 OR (313) 259-3121 • www.kirlinlighting.com

RENAISSANCE SERIES
COMPACT FLUORESCENT LIGHTING

MAXIMUM WATTAGE

1/1 Triple 70

CATALOG NUMBER

FWR-12072

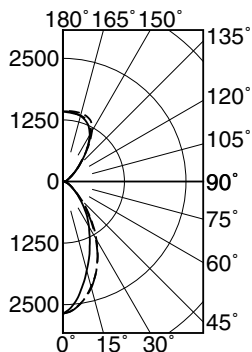
DUE TO OUR CONTINUING EFFORT TO IMPROVE PRODUCTS, TECHNICAL INFORMATION IS SUBJECT TO CHANGE WITHOUT NOTICE.

Alzak® is a registered trademark of ALCOA.

Detailed Photometry - Installed Fixture

Photometry from I.T.L., Boulder, CO

FWR-12072 (1/1 Triple 70)



----- 0° SC 0.9
 _____ 90° SC 0.7
 - · - · - 180° SC 0.9

EFFICIENCY : 52.4%

CANDLEPOWER DISTRIBUTION					
	0.0	45.0	90.0	135.0	180.0
0	2682	2682	2682	2682	2682
10	2438	2297	2196	2315	2447
30	1360	1173	1057	1196	1335
50	372	351	349	360	352
70	100	100	103	100	95
90	0	0	0	0	0
110	96	101	106	103	98
130	338	337	346	334	334
150	1179	1138	1089	1089	1118
170	1438	1430	1410	1401	1396
180	1422	1422	1422	1422	1422

COEFFICIENTS OF UTILIZATION							
RF	20						
	80			50			
RC	70	50	30	10	50	30	10
RW	70	50	30	10	50	30	10
1	53	51	49	47	41	40	39
2	49	45	42	40	37	35	33
3	45	41	37	34	33	31	29
4	42	37	33	30	30	28	26
5	39	33	29	27	28	25	23
6	36	30	26	24	25	23	21
7	34	28	24	21	23	21	19
8	31	25	22	19	22	19	17
9	29	24	20	18	20	17	16
10	28	22	18	16	19	16	14

ITL TEST #54926 *LER=34.5 •AEC=\$6.96

* LER = Luminaire Efficiency Rating

LER = $\frac{\text{Luminaire Effic.} \times \text{Total Lamp Lumens} \times \text{Ballast Factor}}{\text{Input Watts}}$

• AEC = Annual Energy Cost per 1000 lumens (based on 3000 hours use @ \$0.08 KWH).

Options

Ballast, Wattage and Voltage

- 43 Lower wattage: for 4-pin
2x 57W triple/four tube or 42/32/26W triple or 26W quad (multi-wattage/voltage). Specify wattage.
- 84 Wired for two circuits. Also see -FD.
- 97 Specify other voltage. Consult factory.
- 98 347 volt, 50/60 Hz. input. Consult factory.

Emergency Ballast¹

- Internal (factory installed) or remote (field mounted) ballast, test switch and indicator light. Suitable for damp locations from 0° to 50°C (32° to 122°F) or with Cold Weather version (see -CE or -CR) -20° to 55°C (-4° to 131°F).
- 73 Internal 1-lamp EM ballast - with Option -43 (direct position). Specify voltage.
 - 75 Remote 1-lamp EM ballast (direct position).
 - CE Internal cold weather (-20° to 55°C) 1-lamp EM ballast - with Option -43 (direct position). Specify voltage.
 - CR Remote cold weather (-20° to 55°C) 1-lamp EM ballast (direct position).

- HE¹ Internal higher lumen (up to 1250) 1-lamp EM ballast - with Option -43 (direct position). 13-42 watt only. Specify voltage.
- HR¹ Remote higher lumen (up to 1250) 1-lamp EM ballast (direct position). 13-42W only.

Lenses (Direct Position Only)

- 13 Vandal resistant tempered prismatic C#73 lens above 1/8" flat polycarbonate.
- 17 .187" prismatic high strength acrylic lens.
- 18 Opal flat glass diffuser.
- 20 White aluminum 1/2" cube egg-crate louver.
- 21 White flat polycarbonate diffuser.
- FR Fresnel tempered glass lens.
- HO Holophane concave prismatic tempered lens.

Trims (Direct and Indirect Position)

- 40 White grooveless flare trim. (CP x 1.10)
- 46 Gasket between trim and lens.

Luminaire (Housing) Finishes

- 35 Natural aluminum acrylic enamel.
- 37 Dark Bronze acrylic enamel.
- 38 Black acrylic enamel.
- 94 Custom color/finish. Specify. Consult factory.

Mounting

- 87 Custom pendant stem (with Option -PM, other than 48"). Specify length.
- 88 Swivel canopy for sloped ceilings up to 40°. Use with -PM.
- PM Pendant mount for damp or dry locations only. 48" stem plus 4" offset (see diagram). See -87. Not available with Options -75, -CR or -HR.

Other

- 86 Prismatic WeatherCap (indirect position) tempered glass lens. Required for wet label. Not available with -PM.
- 99 Special modification. Consult factory.
- FD Two additional in-line fuses. One per ballast. Use with Option -84. Not available with Option -98 (347V).
- FS Additional in-line fuse. Not available with Option -98 (347V).
- LE With 4-pin electronic lamp. 3500°K standard. 82 CRI and 12,000 hour life. Specify wattage, style and color temperature.

¹ Visit www.kirlinlighting.com for most current performance / specifications.

SUBMITTAL DATA

APPROVAL STAMP

JOB NAME

TYPE

WATTAGE

VOLTAGE

CATALOG NUMBER

LIMITED WARRANTY: CATALOGED KIRLIN FIXTURES ARE WARRANTED FREE OF DEFECTS IN WORKMANSHIP OR MATERIAL FOR THREE YEARS FROM DATE OF PURCHASE. INSTALLLED TO N.E.C. IN NORMAL USE. Manufacturer at his option will replace or repair such fixture or refund the purchase price on presentation of proof of purchase and defective fixture to the offices of manufacturer within three years of original shipment. Liability of manufacturer shall not be liable for any other damages, direct or indirect, sustained or suffered by purchaser or any person. This warranty is supplied to the buyer in place of all other warranties, expressed or implied. Seller does not warrant as to merchantability or fitness for a particular use, nor will any oral statement constitute a warranty or amend this specific warranty. Abnormal use, abuse of the fixture, improper installation, repair, or modification of the fixture without prior written authorization from the manufacturer will render the warranty void.