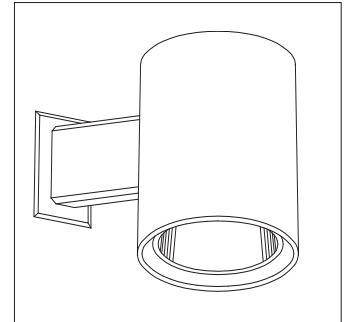


CATALOG #	TYPE	
JOB NAME	WATTAGE	VOLTAGE

12" 2 Triple 70 WATT MAXIMUM

FWR-12070

Open Direct/Indirect: High Lumen Package



Features

Lamp

- Designed for 4 pin triple/four tube compact fluorescent lamps: one each 70W triple/four tube direct and indirect.

Ballast: Multi Voltage

- Installed electronic high power factor ballast protected. For lower wattages: 0-40W, 40-60W, 60-80W, 80-100W, 100-120W, 120-150W, 150-180W, 180-200W, 200-220W, 220-240W, 240-260W, 260-277W.
- 120-277 multi-volt; 50/60 Hz, THD < 10%.
- ClickQuick connectors for easy service.
- Single circuit wiring or see Option -84.
- Cold weather -22°F (-30°C).
- End of lamp life protection circuit, RFI filter.
- Internally fused. Also see Options -FS, -B.

Trim Assemblies / Reflectors

- Direct: Low prudencecence (L.I.) Alzak® one piece, self-flanged reflector or see Options

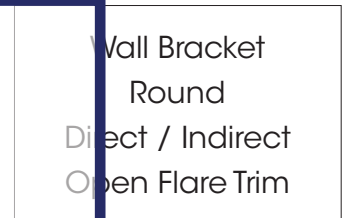
- Indirect: Specular Alzak aluminum reflector with tempered C#73 prismatic glass lens.

Housing

- Seamless white acrylic enameled aluminum with wall bracket.
- Interlocking flare trim (direct position).
- Rustproof: Exceeds 1000 hour ASTM 5% salt spray test.
- No visible hardware.
- Wall bracket extra cost as mounted to housing. Wall plate included, for recessed outlet box.
- Mounting hardware included.
- Indo/outdo for wet/dry (see Options -CS).
- Wet/dry for outdoor use (see Options -CS).
- Wet/dry for outdoor use (see Options -CS).

Three Year Limited Warranty

- Complete standard fixture and ballast



- Selected Optional Trims:**
- SoftTex Dune Option -71
 - SoftTex Champagne Gold Option -90
 - SoftTex Wheat Option -91
- Optional Mount:**
- Pendant Option -PM

THIS PRODUCT IS NO LONGER AVAILABLE

Performance at a Glance



Please consult QUOTATIONS for the best alternative.

THE KIRLIN COMPANY

3401 EAST JEFFERSON AVENUE • DETROIT, MICHIGAN 48207-4232
(313) 259-6400 • Fax: (313) 259-9409 OR (313) 259-3121 • www.kirlinlighting.com

**RENAISSANCE SERIES
COMPACT FLUORESCENT LIGHTING**

MAXIMUM WATTAGE
1/1 Triple 70

CATALOG NUMBER
FWR-12070

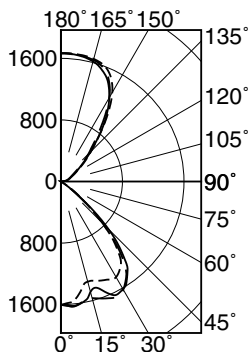
DUE TO OUR CONTINUING EFFORT TO IMPROVE PRODUCTS, TECHNICAL INFORMATION IS SUBJECT TO CHANGE WITHOUT NOTICE.

Alzak® is a registered trademark of ALCOA.

Detailed Photometry - Installed Fixture

Photometry from I.T.L., Boulder, CO

FWR-12070 (1/1 Triple 70)



----- 0° SC 1.3
 _____ 90° SC 1.4
 - · - · 180° SC 1.4

EFFICIENCY : 56.5%

CANDLEPOWER DISTRIBUTION					
	0.0	45.0	90.0	135.0	180.0
0	1602	1602	1602	1602	1602
10	1455	1557	1598	1627	1591
30	1435	1506	1612	1631	1623
50	377	399	382	376	346
70	6	7	8	8	8
90	0	0	0	0	0
110	124	127	124	123	113
130	406	400	379	368	357
150	1335	1301	1258	1257	1258
170	1664	1656	1647	1647	1653
180	1666	1666	1666	1666	1666

COEFFICIENTS OF UTILIZATION							
RF	20						
	80			50			
RC	70	50	30	10	50	30	10
RW	70	50	30	10	50	30	10
1	56	54	52	51	43	42	41
2	52	49	46	43	39	37	36
3	48	44	41	37	35	33	31
4	45	39	35	32	32	29	27
5	41	35	31	28	29	26	24
6	38	32	28	25	26	24	22
7	36	29	25	22	24	21	19
8	33	27	23	20	22	19	17
9	31	25	21	18	20	18	16
10	29	23	19	16	19	16	14

ITL TEST #54922 *LER=33.0 •AEC=\$7.27

* LER = Luminaire Efficiency Rating

LER = $\frac{\text{Luminaire Effic.} \times \text{Total Lamp Lumens} \times \text{Ballast Factor}}{\text{Input Watts}}$

• AEC = Annual Energy Cost per 1000 lumens (based on 3000 hours use @ \$0.08 KWH).

Options

Ballast, Wattage and Voltage

- 43 Lower wattage: for 4-pin 2x57W triple/four tube or 42/32/26W triple or 26W quad (multi-wattage/voltage). Specify wattage.
- 84 Wired for two circuits. Also see -FD.
- 97 Specify other voltage. Consult factory.
- 98 347 volt, 50/60 Hz. input. Consult factory.

Emergency Ballast¹

Internal (factory installed) or remote (field mounted) ballast, test switch and indicator light. Suitable for damp locations from 0° to 50°C (32° to 122°F) or with Cold Weather version (see -CE or -CR) -20° to 55°C (-4° to 131°F).

- 73 Internal 1-lamp EM ballast - with Option -43 (direct position). Specify voltage.
- 75 Remote 1-lamp EM ballast (direct position).
- CE Internal cold weather (-20° to 55°C) 1-lamp EM ballast - with Option -43 (direct position). Specify voltage.

- CR Remote cold weather (-20° to 55°C) 1-lamp EM ballast (direct position).
- HE¹ Internal higher lumen (up to 1250) 1-lamp EM ballast - with Option -43 (direct position). 13-42W only. Specify voltage.
- HR¹ Remote higher lumen (up to 1250) 1-lamp EM ballast (direct position). 13-42W only.

Trims (Direct Position Only)

- 70 SofTex Clear reflector. (CP x .89)
- 71 SofTex Dune reflector. (CP x .85)
- 90 SofTex Champagne Gold reflector. (CP x .88)
- 91 SofTex Wheat reflector. (CP x .83)
- 94 Custom color/finish. Specify. Consult factory.

Luminaire (Housing) Finishes

- 35 Natural aluminum acrylic enamel.
- 37 Dark Bronze acrylic enamel.
- 38 Black acrylic enamel.
- 94 Custom color/finish. Specify. Consult factory.

ShatterGuard™ Shield (Beneath Lamp)

- SG .125" clear polycarbonate (direct only).

Mounting

- 87 Custom pendant stem (with Option -PM, other than 48"). Specify length.
- 88 Swivel canopy for sloped ceilings up to 40°. Use with -PM.
- PM Pendant mount for damp or dry locations only. 48" stem plus 4" offset (see diagram). See -87. Not available with Options -75, -CR or -HR.

Other

- 86 Prismatic WeatherCap (indirect position) tempered glass lens. Required for wet label. Not available with -PM.
- 99 Special modification. Consult factory.
- FD Two additional in-line fuses. One per ballast. Use with Option -84. Not available with Option -98 (347V).
- FS Additional in-line fuse. Not available with Option -98 (347V).
- LE With 4-pin electronic lamp. 3500°K standard. 82 CRI and 12,000 hour life. Specify wattage, style and color temperature.

¹ Visit www.kirlinlighting.com for most current performance / specifications.

SUBMITTAL DATA

APPROVAL STAMP

JOB NAME

TYPE

WATTAGE

VOLTAGE

CATALOG NUMBER

LIMITED WARRANTY: CATALOGED KIRLIN FIXTURES ARE WARRANTED FREE OF DEFECTS IN WORKMANSHIP OR MATERIAL FOR THREE YEARS FROM DATE OF PURCHASE. INSTALLLED TO N.E.C. IN NORMAL USE. Manufacturer at his option will replace or repair such fixture or refund the purchase price on presentation of proof of purchase and defective fixture to the offices of manufacturer within three years of original shipment. Liability of manufacturer shall not be liable for any other damages, direct or indirect, sustained or suffered by purchaser or any person. This warranty is supplied to the buyer in place of all other warranties, expressed or implied. Seller does not warrant as to merchantability or fitness for a particular use, nor will any oral statement constitute a warranty or amend this specific warranty. Abnormal use, abuse of the fixture, improper installation, repair, or modification of the fixture without prior written authorization from the manufacturer will render the warranty void.