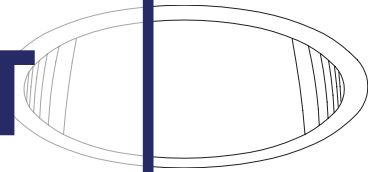


165 Watt QL Induction Open Downlight

THIS PRODUCT IS NO LONGER AVAILABLE



1 QL 165

Features

Lamp (Included)

- 1 vertical QL 165 watt (by Philips).
- Electrode-less induction lamp with Power Coupler.
- Extra long 100,000 hour life.
- Extruded aluminum heat sink to maximize dissipation of heat from lamp base.
- Flicker-free instant-on, high light output, excellent color rendering (>80 CRI).
- Indoor or outdoor use. -30°F rated.
- 3000°K standard. Add Option -LT for 4000°K.
- High efficiency with low operating current.
- Resistant to voltage fluctuation.
- Vibration resistant.

Generator

- Electronic high frequency generator.
- 277 volt standard. For 240 volt or 240 volt, see Option -97.

Fuse

- Fused primary standard. Renewable.
- Surface mount from Junction Box.
- Low voltage source. 277 volt only.
- Aluminum, one piece, self-flanged.

Housing

- Acrylic enameled aluminum.
- Cool: Dissipates heat across entire surface area.
- Light weight. Exceeds 100000 hours life.
- Lightweight. Minimizes ceiling load.
- Pre-wired outlet box; 14GA (NEC)
- Galvanized steel. UL listed. Accessible.

**100,000 Hour
Maintenance-free Operation**

**Constant Light Output
Indoor / Outdoor**

Installation

- 27" galvanized hanger bars with adjustable mounting brackets (2) supplied.
- Recesses indoor or outdoor in covered locations.

UL, C-UL (Canada) Listings

- Damp or dry locations, covered ceilings.
- Through-branch circuit conductors (6 #12).

Three Year Limited Warranty

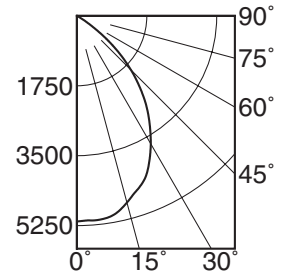
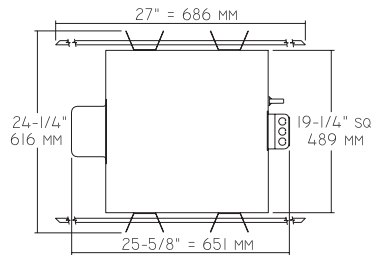
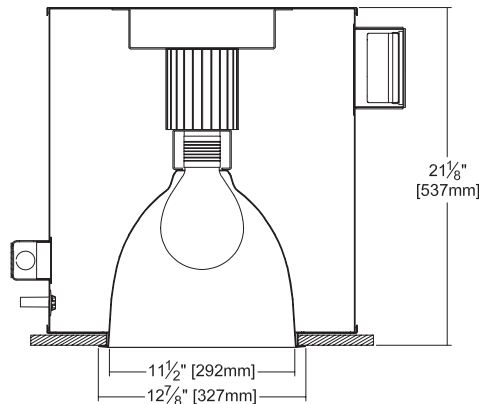
- Complete standard fixture.
- Thermal protection (Per Current NEC)

Please consult

QUOTATIONS

for the best alternative.

Performance at a Glance



SC 1.1
EFFICIENCY: 64.5%

Ft.	FC	Dia.
6	142.9	6.6
8	80.4	8.8
10	51.5	11.0
12	35.7	13.2
14	26.3	15.4
16	20.1	17.6

Cone of Light Key
Ft. Distance from fixture
FC Footcandles (average)
Dia. Circle of light at 50% of FC
 * Dia. (in ft.) shown is where FC value is half the FC at nadir.

THE KIRLIN COMPANY

3401 EAST JEFFERSON AVENUE • DETROIT, MICHIGAN 48207-4232
 (313) 259-6400 • Fax: (313) 259-9409 OR (313) 259-3121 • www.kirlinlighting.com

SECOND CENTURY SERIES
 QL INDUCTION LIGHTING

VOLTAGE

277V

MAXIMUM WATTAGE

QL 165

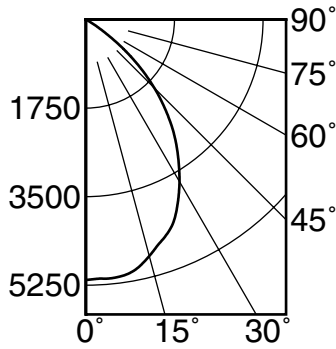
CATALOG NUMBER

9906364

Detailed Photometry - Installed Fixture

FROM I.T.L. (BOULDER, CO) TEST NUMBER 54799

9906364 *LER = 44.5
 •AEC = \$5.39



SC 1.1

EFFICIENCY = 64.5%

CANDLEPOWER DISTRIBUTION

	0.0	22.5	45.0	67.5	90.0
0	5146	5146	5146	5146	5146
5	5138	5138	5138	5138	5138
15	4839	4839	4839	4839	4839
25	4214	4214	4214	4214	4214
35	3145	3145	3145	3145	3145
45	1914	1914	1914	1914	1914
55	533	533	533	533	533
65	13	13	13	13	13
75	4	4	4	4	4
85	0	0	0	0	0
90	0	0	0	0	0

COEFFICIENTS OF UTILIZATION

RF	20						
	80				50		
	70	50	30	10	50	30	10
1	73	71	69	67	67	65	64
2	68	65	61	59	61	59	57
3	64	59	55	52	56	53	51
4	60	54	50	47	52	48	46
5	56	50	45	42	48	44	41
6	52	46	41	38	44	40	37
7	49	42	38	34	41	37	34
8	46	39	35	31	38	34	31
9	44	36	32	29	35	31	29
10	41	34	29	27	33	29	26

* LER = Luminaire Efficiency Rating
 LER = Luminaire Effic. X Total Lamp Lumens X Ballast Factor
 Input Watts

• AEC = Annual Energy Cost per
 1000 lumens (based on 3000
 hours use @ \$0.08 KWH).

LIMITED WARRANTY: CATALOGED KIRLIN FIXTURES ARE WARRANTED FREE OF DEFECTS IN WORKMANSHIP OR MATERIAL FOR THREE YEARS FROM DATE OF PURCHASE. INSTALL TO N.E.C. IN NORMAL USE. Manufacturer at his option will replace or repair such fixture or refund the purchase price or replacement fixture at the offices of manufacturer within three years of original shipment. Liability of manufacturer is limited to the original manufacturer and shall not be liable for any other damages, direct or indirect, arising from use, abuse of the fixture, improper installation, or modification of the fixture without prior written authorization from the manufacturer. Seller does not warrant as to merchantability or fitness for a particular use, nor will any oral statement constitute a warranty or amend this specific warranty. Abnormal use, abuse of the fixture, improper installation, or repair, or modification of the fixture without prior written authorization from the manufacturer will render the warranty void.

Options

- 31 White flange (only) on reflector.
- 32 Trim extender. Broadens flange O.D. by 1" to cover larger ceiling opening.
- 45 Gasket above reflector flange.
- 82 Sloped ceiling adapter. Specify slope in 5° increments up to 30°.
- 94 Custom color self-flanged reflector. Consult factory.
- 97 Other voltage ballast instead: consult factory.
- 99 Special modification. Consult factory.
- LT With 4000°K lamp instead of standard 3000°K lamp.

SUBMITTAL DATA

APPROVAL STAMP

JOB NAME _____

TYPE _____

WATTAGE _____ VOLTAGE _____

CATALOG NUMBER _____