

## WALL CONTROLLED ADJUSTABLE LIGHTING SYSTEM RECESSED ROUND: Q250 WATT PAR 38 120 VOLT TUNGSTEN HALOGEN

The Kirlin Company introduces a wall controlled adjustable recessed lighting system designed for:

**ICU / CCU • Emergency Rooms • Patient Examination Rooms**

The healthcare practitioner may adjust the direction of inconspicuous lighting for bedside procedures from the wall control panel.

Lighting system provides accuracy, convenience, and safety

The **two-part** system features:

- **One flush mounted wall control** for angle, lumen, and direction of light and adjustment of position from a fixed wall location. May also be integrated into most headwalls.
- **One recessed luminaire** with:
  - Sleek, white, recessed flange trim with 1/2" depth.
  - Q250 watt, PAR 38 120 volt tungsten halogen 11° spot lamp.
  - Full 360° sweep with 70° vertical adjustment; 35° from either side of nap air.
  - Built-in "Flite" trim.
  - Plug-in electronic components for dimming and servicing.
  - Lightweight construction for easy installation.
  - Complete serviceability through the aperture.

**THIS PRODUCT  
IS NO LONGER  
AVAILABLE**

UL, C-UL (Canada) Listed • Exclusive to **Health Systems** • Designed and produced in U.S.A.

**INFRARED PRO**

**Options:** The following Options are available for this lighting system 71241. Use Option number as suffix to catalog number. Example: 71241-32-94.

**for the latest technology.**

- 10 Tinted lens instead: raises color temperature, reduces CRI and lumen output.
- 32 Trim extender. Broadens trim flange to cover larger ceiling opening.
- 87 120 volt cable length greater than 35 feet. Consult factory.
- 94 Custom color self-flaming glare trim instead. Consult factory.
- 99 Special modification. Consult factory.
- LP With 32° flood lamp instead of standard 11° spot.
- LX Extra lamp for 71241. Specify 11° spot (standard) or 32° flood (see Option -LP).

*Lighting Innovators Since 1895*

*Our Tradition is Quality*

## THE KIRLIN COMPANY

Medical Lighting Division

3401 EAST JEFFERSON AVENUE • DETROIT, MICHIGAN 48207-4232  
(313) 259-6400 • FAX: (313) 259-9409 OR (313) 259-3121 • [www.light-link.com/kirlin](http://www.light-link.com/kirlin)

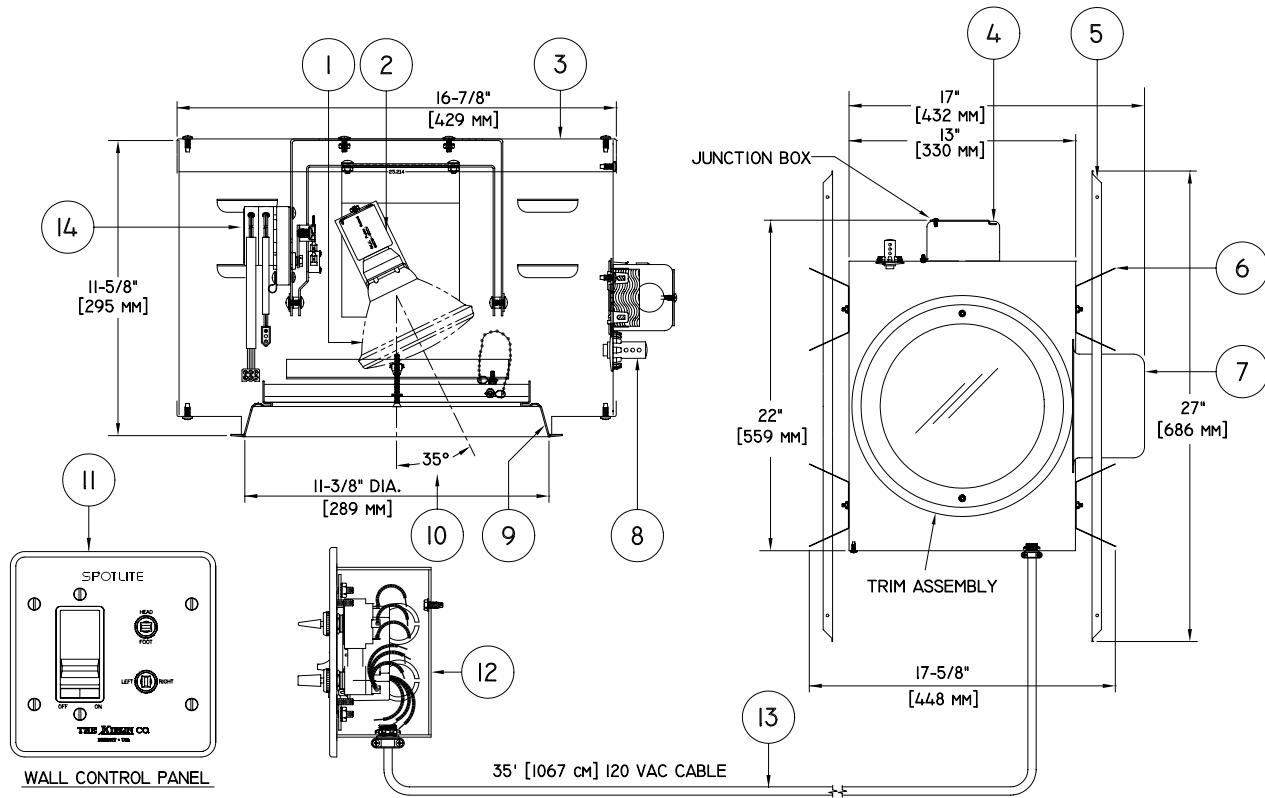
NATIONWIDE NETWORK OF MANUFACTURER'S REPRESENTATIVES TO SERVE YOU  
NATIONAL and INTERNATIONAL DISTRIBUTION

EXPERTISE IN ENERGY EFFICIENT, ARCHITECTURAL, COMMERCIAL, INSTITUTIONAL and CUSTOM LIGHTING  
COMPACT FLUORESCENT • METAL HALIDE • HPS • MERCURY • FLUORESCENT • TUNGSTEN HALOGEN • INCANDESCENT

DUE TO OUR CONTINUING EFFORT TO IMPROVE PRODUCTS, TECHNICAL INFORMATION IS SUBJECT TO CHANGE WITHOUT NOTICE

## WALL CONTROLLED ADJUSTABLE LIGHTING SYSTEM

### SECTION and PLAN VIEWS - RECESSED LUMINAIRE WITH WALL CONTROL CENTER



#### Lamp and Socket (1) (2)

- 250 watt 11° spot 120 volt 100 CRI PAR 38 tungsten halogen lamp (included).
- Long lamp life.
- Medium base incandescent socket with silicone leads.

#### Housing (3)

- Black acrylic enameled aluminum.
- Cool: Dissipates heat across entire surface area.
- Rustproof: Exceeds 1000 hour ASTM 5% salt spray test.
- Entire luminaire serviced through removable trim assembly.
- Built-in plaster frame.

#### Junction Box (luminaire) (4)

- Prewired 14 GA (NEC) galvanized steel, UL listed. Contains fuse and holder.
- Removable insulated cover.
- 1/2" and 3/4" knockouts.

#### Installation (5) (6)

- Two 27" (69cm) galvanized channel bar hangers supplied. (5)

- Four Kirlin fully adjustable universal mounting brackets supplied. (6)
- Lightweight 35 pound fixture recesses in all ceilings including suspended ceilings.
- May be installed (per NEC, mandatory) by any qualified electrician. Factory representative need not be present.

#### Transformer (7)

- WhisperPack™ fully encapsulated 120 volt Class H isolation transformer. Fused (in J-box).
- Cool, quiet, long life. Silicone leads.
- Visible and easily serviced in all ceilings, including dry wall.

#### Thermal Protection (8)

- Per current NEC.

#### Trim Assembly (visible at ceiling) (9)

- White regressed self-flanged flare.
- 12" diameter. Smooth surface.
- Regressed tempered clear glass lens.

#### Range of Motion (10)

- Adjustment of 360° and 35° from nadir.
- Maximum 35° deflection is shown.

#### Wall Control Center (11) (12) (13)

##### Note: One per lighting system

- One wall control panel provided. (11) Includes all function controls (power, direction, brightness). (Detail next page.)
- Less than 1 microamp current leakage from front of wall control plate.
- **UL listed back box (12) provided must be used for proper fit of electronics.** 1/2" and 3/4" trade size knockouts.
- **Cable. (13)** Luminaire provided with 35' 120 volt cable for connection to color coded switches & dimming control (6 conductors) within wall control back box. Optional longer length available - consult factory representative.

#### Motor and Power Supply (14)

- Two 120 volt permanently lubricated motors control motion. Powerful, yet quiet, operation.
- Plug-in modular electronics designed for easy maintenance.
- Visible and easily serviced through removable trim assembly.

#### UL, C-UL (Canada) Listings

- Wet, damp or dry locations, covered ceilings.
- Through branch circuit conductors. (6#12)

#### Warranty

- Complete standard fixture and wall control, three years. (Lamp excluded)

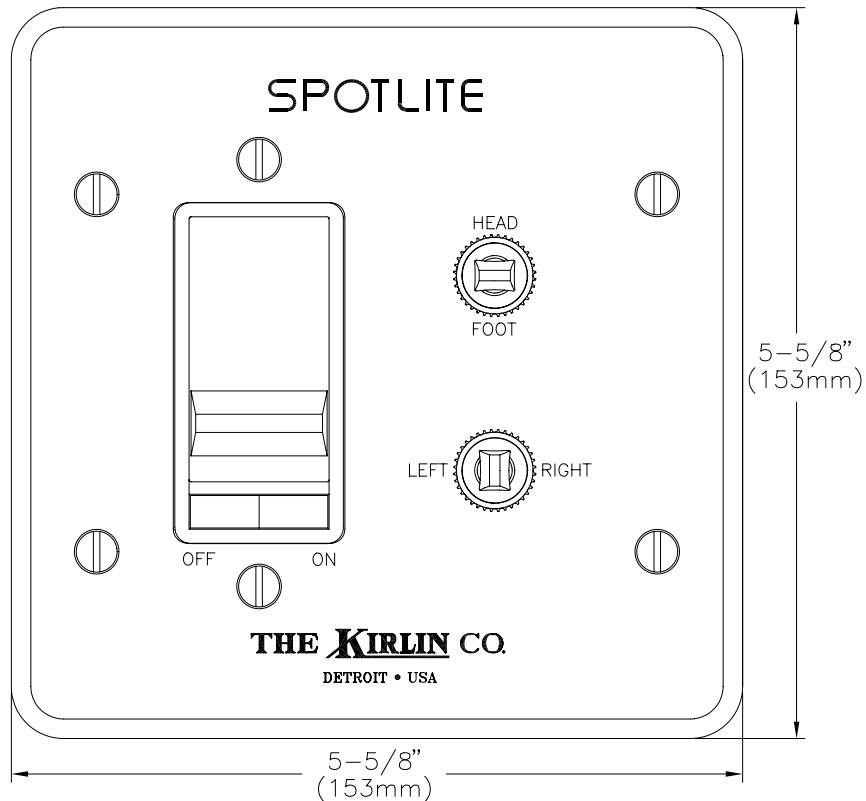
#### PER SINGLE LUMINAIRE:

OPERATING CURRENT 1.25A

MAXIMUM DRAW 1.30A

### 71241 (ONE LUMINAIRE SYSTEM) WALL CONTROL PANEL

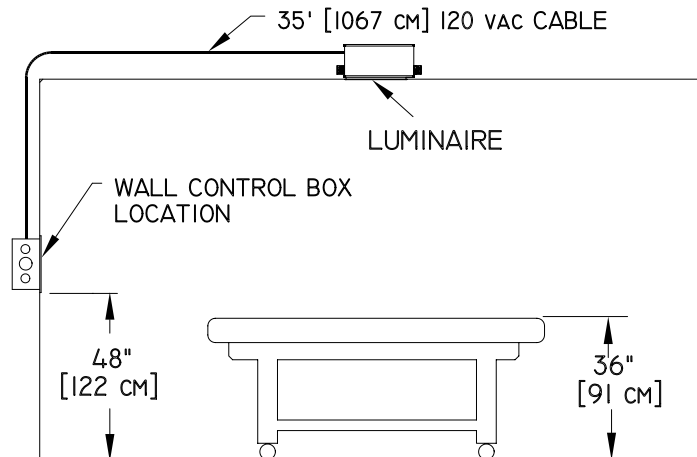
(INSTALLED IN ROOM WALL - NOT TO SCALE)



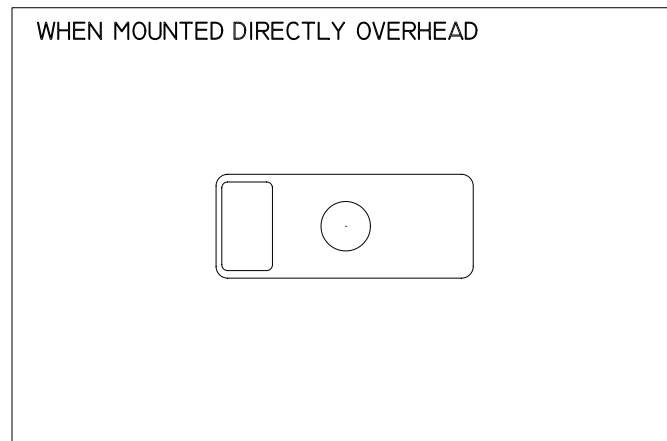
- Function switches for:
  - Power
  - Intensity (dimmer or brighter)
  - Adjust position  
(360° with 70° adjustment, 35° either side of nadir).
- Convenient one hand operation.
- Smooth surfaces for easy cleaning.

### APPLICATIONS

*Typical Side View*



*Typical Top View*



### 71241 Footcandle Performance

7.5' CEILING HEIGHT	8.0' CEILING HEIGHT	9.0' CEILING HEIGHT
1977 fc	1602 fc	1113 fc

Footcandle performance calculations are based on lamp manufacturers' published initial lumen ratings. Individual lamps may vary significantly, particularly with age.

## THE KIRLIN Co.

3401 EAST JEFFERSON AVENUE • DETROIT, MICHIGAN 48207-4232  
(313) 259-6400 • FAX: (313) 259-9409 or (313) 259-3121 • [www.light-link.com/kirlin](http://www.light-link.com/kirlin)