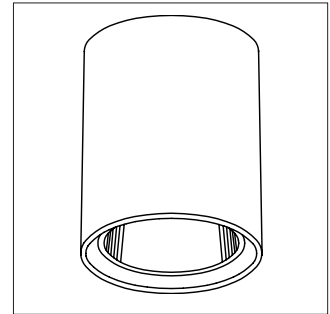


CATALOG #	TYPE	
JOB NAME	WATTAGE	VOLTAGE

12" INDUCTION 85 WATT MAXIMUM

ZSR-12083

Surface Mount Induction 5000°K*, 80+ CRI Excellent for High Ceilings: 100,000 Hour Life



Features

Bulb (Included)

- One vertical induction bulb: 85W maximum.
- See Option -43 for lower wattage: 55W.
- High efficiency with low operating costs.
- Electrode-less induction bulb with power coupler. Extra long 100,000 hour system life.
- Flicker-free instant-on, high light output, excellent color rendering (>80 CRI). Constant color.
- Indoor or outdoor use. -30°F rated.
- 5000°K standard. For 3000° or 4000°K bulb instead, see Options -LT or -LW.
- Resistant to voltage fluctuation and vibration.

Ballast

- Electronic high frequency ballast.
- 120 volt standard. For 277V, add Option -58.
- For 347 volt, add Option -98.
- For other input voltages, see Option -97.

Reflector

- Low iridescence (L.I.) Alzak® aluminum, one piece, self-flanged.

Aluminum Housing

- Seamless white acrylic enameled. Rustproof: Exceeds 1000 hour ASTM 5% salt spray test.
- Optional colors available.
- Interlocking flare trim. No visible cylinder hardware.
- Lightweight: Minimizes ceiling load.
- Cool operation: Extends component life.

Installation

- Center point mounting for snug fit to ceiling. Mounting hardware included.
- QuickConnect mounting available. (Option -QM).
- 2" edlar for surface J-box mount. (Option -80)
- Pendant or wall bracket mount available. (See Options -PM, -WB)
- Indoor or outdoor for covered ceiling use. (See Option -89)

UL, C-UL (Canada) Listings

- Wet, damp or dry locations, covered ceilings. (See Option -89)

Three Year Limited Warranty

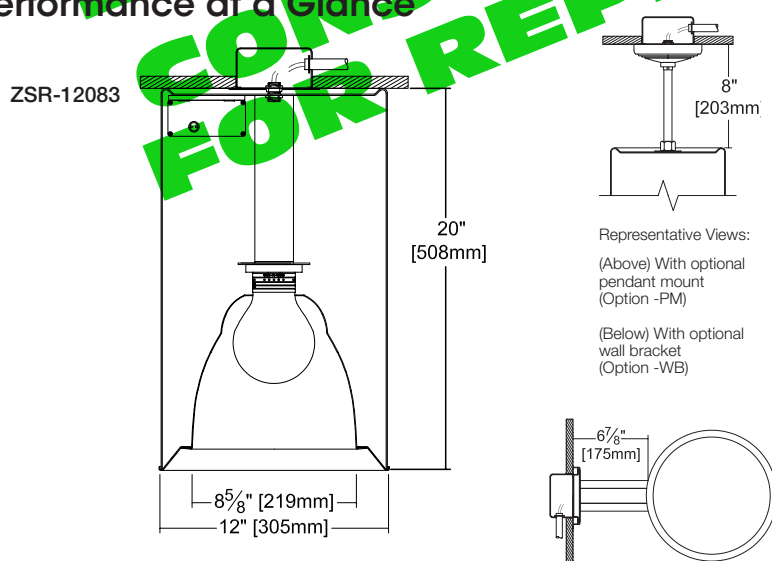
- Complete standard fixture

Surface Round
Open Flare Trim
Induction

Selected Optional Mounts:

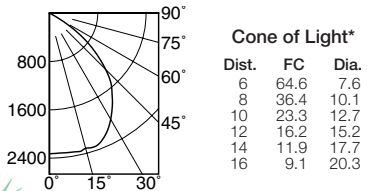
- Pendant Option -PM
- Wall Bracket Option -WB

Performance at a Glance



Exceptional Energy Efficiency
EEE

ZSR-12083 (85W)



EFFICIENCY: 77.0% SC 1.3

Cone of Light Key

Ft. Distance from fixture
FC Footcandles (average)
Dia. Circle of light at 50% of FC

* Dia. (in ft.) shown is where FC value is half the FC at nadir.

*For 3000°K or 4000°K see Options -LT or -LW.

THE KIRLIN COMPANY

3401 EAST JEFFERSON AVENUE • DETROIT, MICHIGAN 48207-4232
(313) 259-6400 • Fax: (313) 259-9409 OR (313) 259-3121 • www.kirlinlighting.com

RENAISSANCE SERIES
COMPACT FLUORESCENT LIGHTING

MAXIMUM WATTAGE

85

CATALOG NUMBER

ZSR-12083

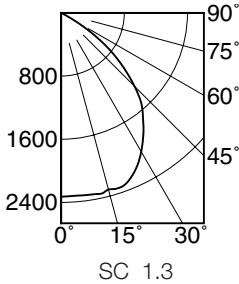
DUE TO OUR CONTINUING EFFORT TO IMPROVE PRODUCTS, TECHNICAL INFORMATION IS SUBJECT TO CHANGE WITHOUT NOTICE.

Alzak® is a registered trademark of ALCOA.

Detailed Photometry - Installed Fixture

Photometry from I.T.L., Boulder, CO

ZSR-12083 (85 Watt Maximum)



EFFICIENCY : 77.0%

CANDLEPOWER DISTRIBUTION					
	0.0	22.5	45.0	67.5	90.0
0	2327	2327	2327	2327	2327
5	2323	2323	2323	2323	2323
15	2316	2316	2316	2316	2316
25	2209	2209	2209	2209	2209
35	1819	1819	1819	1819	1819
45	1314	1314	1314	1314	1314
55	599	599	599	599	599
65	17	17	17	17	17
75	3	3	3	3	3
85	1	1	1	1	1
90	0	0	0	0	0

COEFFICIENTS OF UTILIZATION							
RF	20						
	80				50		
RC	70	50	30	10	50	30	10
RW	70	50	30	10	50	30	10
1	86	84	81	79	79	77	76
2	81	76	72	69	72	69	66
3	75	69	64	60	65	62	59
4	70	62	57	53	60	55	52
5	65	57	51	47	54	50	46
6	60	52	46	42	50	45	41
7	56	47	42	38	46	41	37
8	53	44	38	34	42	37	34
9	49	40	35	31	39	34	31
10	46	37	32	28	36	31	28

ITL TEST #55051 *LER=48.2 *AEC=64.98

BULB WATTS	INITIAL LUMENS	LUMEN FACTOR	SYSTEM EFFICACY
85W	5950	1.00	87 LPW
55W	3575	0.60	62 LPW

LER = Luminaires per luminaire
LER = Luminaire Initial Lamp Lumen Ballast Factor
Input Watts
Annual Energy Cost per 100 lumens
(based on 1000 hours @ \$0.08 KWH).

THIS FIXTURE IS NO LONGER AVAILABLE CONSULT FACTORY FOR REPLACEMENT

Options

Ballast, Wattage and Voltage

- 43 Lower wattage: 55W. Specify wattage and voltage.
- 58 277 volt 60 Hz. ballast instead.
- 97 Other input voltage. Consult factory.
- 98 Step-down transformer for 347 volt line input, prewired into fixture. Consult factory.

Trims

- 31 White acrylic enameled reflector flange.

Luminaire (Housing) Finishes

- 35 Natural aluminum acrylic enamel.
- 37 Dark Bronze acrylic enamel.
- 38 Black acrylic enamel.
- 94 Custom color housing and flare bottom. Consult factory.

Mounting

- 54 Safety cable through pendant stem. 12" longer than specified stem length. Anchored to fixture. Use with -PM.
- 80 2" collar for mounting beneath surface outlet box. 1/2" T.S. KO's. Must add Option -89 for wet label listing.
- 87 Custom pendant length. Specify length. Use with Option -PM.
- 88 Swivel canopy for sloped ceilings up to 40°. Option -PM also required. Consult factory for higher angles.
- 89 Sealed top WeatherCap. Required for wet label when top of fixture is exposed to weather (for any mount).
- PM Pendant mount. 8" stem or see Option -87. Must add Option -89 for wet label listing.

- QM QuickConnect mount for indoor (damp or dry) use only.
- WB Wall bracket mount. Must add Option -89 for wet label listing.

Other

- 99 Special modification. Consult factory.
- LT With 4000°K bulb instead of standard 5000°K bulb. (Note: Consult factory for estimated lead time)
- LW With 3000°K bulb instead of standard 5000°K bulb. (Note: Consult factory for estimated lead time)

SUBMITTAL DATA

APPROVAL STAMP

JOB NAME
TYPE
WATTAGE VOLTAGE
CATALOG NUMBER

LIMITED WARRANTY: CATALOGUED KIRLIN FIXTURES ARE WARRANTED FREE OF DEFECTS IN WORKMANSHIP OR MATERIAL FOR THREE YEARS FROM DATE OF PURCHASE. INSTALLLED TO N.E.C. IN NORMAL USE. Manufacturer at the option will replace or repair each fixture or return the purchase price on presentation of proof of purchase and defective fixture at the offices of manufacturer within three years of original shipment. Liability of manufacturer is limited to the foregoing, and manufacturer shall not be liable for any other damages, direct or indirect, sustained or suffered by purchaser or any person. This warranty is applied to the buyer in place of all other warranties, expressed or implied. Seller does not warrant as to merchantability or fitness for a particular use, nor will any oral statement constitute a warranty or amend this specific warranty. Abnormal use, abuse of the fixture, improper installation, or repair or modification of the fixture without prior written authorization from the manufacturer will render the warranty void.