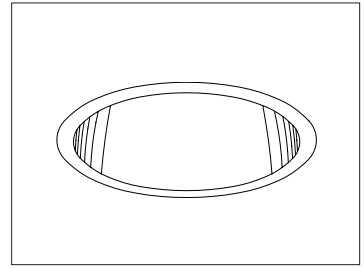


CATALOG #	TYPE	
JOB NAME	WATTAGE	VOLTAGE

11" INDUCTION 165 WATT MAXIMUM

ZRR-11080

Open Induction Downlight: 5000°K* 80+ CRI with 100,000 Hour Life



Features

Bulb (Included)

- One vertical induction bulb: 165W (maximum).
- See Option -43 for lower wattages.
- High efficiency with low operating costs.
- Electrode-less induction bulb with power coupler. Extra long 100,000 hour system life.
- Flicker-free instant-on, high light output, excellent color rendering (>80 CRI). Constant color.
- Extruded heat sink surrounds lamp base.
- Indoor or outdoor use. -30°F rated.
- 5000°K standard. For 3000° or 4000°K bulb instead, see Options -LT or -LW.
- Resistant to voltage fluctuation and vibration.

Ballast

- Electronic high frequency ballast.
- 120 volt standard. For 277V, add Option -58.
- For 347 volt, add Option -98.
- For other input voltages, see Option -97.

Reflector

- Low iridescence (L.I.) Alzak® aluminum, one piece, self-flanged.

Aluminum Housing

- Acrylic enameled. Rustproof: Exceeds 1000 hour ASTM 5% salt spray test.
- Lightweight: Minimizes ceiling load.
- Cool operation: Extends component life.
- Entire luminaire serviced through aperture.
- Built-in plaster frame.

Outlet Box

- Prewired 14 GA (NEC) galvanized steel, UL listed. 1/2" and 3/4" knockouts.

Installation

- 27" galvanized hanger bars with adjustable mounting brackets (2) supplied.
- Recesses in door or outdoor in covered locations.

UL, C-UL (Canada) Listings

- Wet, damp or dry locations, covered ceilings.
- Through-branch conductors (6#12).

Three Year Limited Warranty

- Complete standard fixture and ballast.

Thermal Protection (Per Current NEC)

- Thermal protector included.

Recessed Round
Open
Induction

100,000 Hour Life

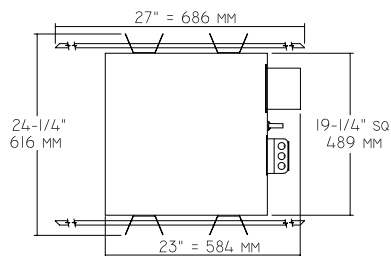
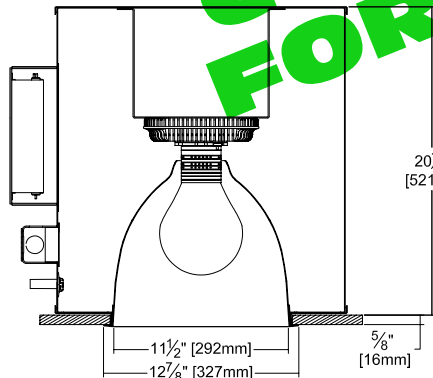
Ideal for
Inaccessible Areas:
Stairwells
Freezers
Mass Transit

Performance at a Glance

ZRR-11080

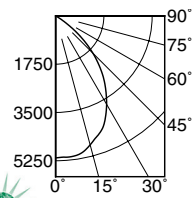


Exceptional
Energy
Efficiency



Ceiling Cut-out
12 1/4" Dia.

ZRR-11080 (165W)



Cone of Light*

Dist.	FC	Dia.
6	142.9	6.6
8	80.4	8.8
10	51.5	11.0
12	35.7	13.2
14	26.3	15.4
16	20.1	17.6

EFFICIENCY: 64.5%

SC 1.1

Cone of Light Key

Ft. Distance from fixture
FC Footcandles (average)
Dia. Circle of light at 50% of FC

* Dia. (in ft.) shown is where FC value is half the FC at nadir.

*For 3000°K or 4000°K see Options -LT or -LW.

THE KIRLIN COMPANY

3401 EAST JEFFERSON AVENUE • DETROIT, MICHIGAN 48207-4232
(313) 259-6400 • Fax: (313) 259-9409 OR (313) 259-3121 • www.kirlinlighting.com

RENAISSANCE SERIES
COMPACT FLUORESCENT LIGHTING

MAXIMUM WATTAGE

165

CATALOG NUMBER

ZRR-11080

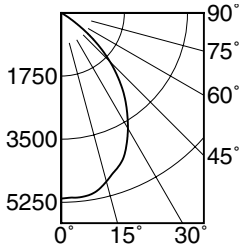
DUE TO OUR CONTINUING EFFORT TO IMPROVE PRODUCTS, TECHNICAL INFORMATION IS SUBJECT TO CHANGE WITHOUT NOTICE.

Alzak® is a registered trademark of ALCOA.

Detailed Photometry - Installed Fixture

Photometry from I.T.L., Boulder, CO

ZRR-11080 (165 Watt Maximum)



SC 1.1



EFFICIENCY : 64.5%

CANDLEPOWER DISTRIBUTION					
	0.0	22.5	45.0	67.5	90.0
0	5146	5146	5146	5146	5146
5	5138	5138	5138	5138	5138
15	4839	4839	4839	4839	4839
25	4214	4214	4214	4214	4214
35	3145	3145	3145	3145	3145
45	1914	1914	1914	1914	1914
55	533	533	533	533	533
65	13	13	13	13	13
75	4	4	4	4	4
85	0	0	0	0	0
90	0	0	0	0	0

COEFFICIENTS OF UTILIZATION							
RF	20						
	80				50		
RC	70	50	30	10	50	30	10
RW	70	50	30	10	50	30	10
1	73	71	69	67	67	65	64
2	68	65	61	59	61	59	57
3	64	59	55	52	56	53	51
4	60	54	50	47	52	48	46
5	56	50	45	42	48	44	41
6	52	46	41	38	44	40	37
7	49	42	38	34	41	37	34
8	46	39	35	31	38	34	31
9	44	36	32	29	35	31	29
10	41	34	29	27	33	29	26

ITL TEST #54799 *LEP=47.4 *AEC=\$5.07

BULB WATTS	INITIAL LUMENS	LUMEN FACTOR	SYSTEM EFFICACY
165W	11550	1.00	67 LPW
85W	5950	0.51	67 LPW
55W	3575	0.31	62 LPW

* L_e = Luminaire Efficiency Factor
 CR = Luminaire Efficacy x CR = (lm/W) x Ballast Factor (lm/W)

* AEC = Annual Energy Cost per 1000 lumens
 (based on 1000 hours use @ \$0.08 KWH).

THIS FIXTURE IS NO LONGER AVAILABLE CONSULT FACTORY FOR REPLACEMENT

Options

Ballast, Wattage and Voltage

- 43 Lower wattage. 85 or 55 watt. Specify wattage and voltage.
- 58 277 volt 60 Hz. ballast instead.
- 97 Other input voltage. Consult factory.
- 98 Step-down transformer for 347 volt line input, prewired into fixture.

Trims

- 31 White acrylic enameled lower cone/reflector flange.
- 32 White oversize trim ring. Specify O.D.
- 45 Gasket between ceiling and cone/reflector flange.
- 79 Extension collar for ceilings up to 2" thick.
- 94 Custom color/finish. Specify. Consult factory.

Other

- 99 Special modification. Consult factory.
- LT With 4000°K bulb instead of standard 5000°K bulb. (Note: Consult factory for estimated lead time)
- LW With 3000°K bulb instead of standard 5000°K bulb. (Note: Consult factory for estimated lead time)

SUBMITTAL DATA

APPROVAL STAMP

JOB NAME _____
 TYPE _____
 WATTAGE _____ VOLTAGE _____
 CATALOG NUMBER _____

LIMITED WARRANTY: CATALOGED KIRLIN FIXTURES ARE WARRANTED FREE OF DEFECTS IN WORKMANSHIP OR MATERIAL FOR THREE YEARS FROM DATE OF PURCHASE. INSTALLLED TO N.E.C. IN NORMAL USE. Manufacturer at the option will replace or repair each fixture or refund the purchase price on presentation of proof of purchase and defective fixture at the offices of manufacturer within three years of original shipment. Liability of manufacturer is limited to the foregoing, and manufacturer shall not be liable for any other damages, direct or indirect, sustained or suffered by purchaser or any person. This warranty is supplied to the buyer in place of all other warranties, expressed or implied. Seller does not warrant as to merchantability or fitness for a particular use, nor will any oral statement constitute a warranty or amend this specific warranty. Abnormal use, abuse of the fixture, improper installation, or repair or modification of the fixture without prior written authorization from the manufacturer will render the warranty void.