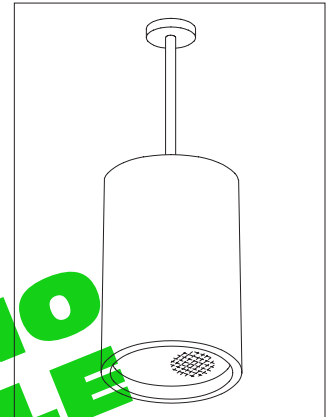


CATALOG #	TYPE	
JOB NAME	WATTAGE	VOLTAGE

14" INDUCTION 165 WATT MAXIMUM

ZPR-14081

## Induction Pendant Mount • Regressed Lens 5000°K\*, 80+ CRI, 100,000 Hour Life Excellent for High Ceilings, Wet Locations



### Features

#### Bulb (Included)

- One vertical induction bulb: 165W maximum.
- See Option -43 for lower wattages.
- High efficiency with low operating costs.
- Electrode-less induction bulb with power coupler. Extra long 100,000 hour system life.
- Flicker-free instant-on, high light output, excellent color rendering (>80 CRI). Constant color.
- Extruded heat sink surrounds lamp base.
- Indoor or outdoor use. -30°F rated.
- 5000°K standard. For 3000° or 4000°K bulb instead, see Options -LT or -LW.
- Resistant to voltage fluctuation and vibration.

#### Ballast

- Electronic high frequency ballast.

- 120V standard. For 277V, add Option -58.
- For 347 volt, add Option -98.
- For other input voltages, see Option -97.

#### Reflector

- Specular Alzak® aluminum.

#### Trim Assembly

- Smooth white seamless tapered aluminum self-flanged trim.
- Regressed, prismatic, tempered low brightness G#73 spread distribution lens.
- Tension springs retain snug fit to housing.
- Black OptiGroove trim available. See Option -OG.

#### Aluminum Housing

- Seamless white acrylic enameled.
- Rustproof: Exceeds 1000 hour ASTM 5% salt spray test. Optional colors available.
- Lightweight: Minimizes ceiling load.
- Cool operation: Extends component life.
- No visible cylinder hardware.

#### Installation

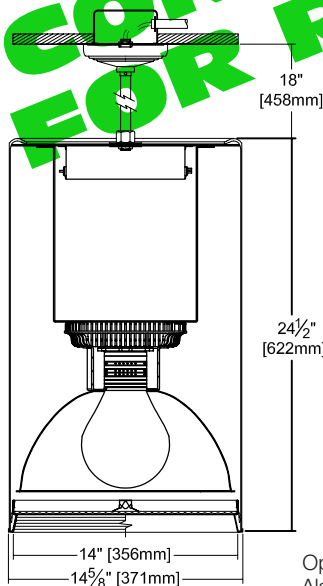
- Pendant mount: 3/8" T.S. x 18".
- For custom length or swivel canopy mount for sloped ceilings: see Options -87, -88.
- Indoor or outdoor for covered ceiling use. Also see Option -89.
- Bracket mount available. See Option -WB.

#### UL C-UL (Canada) Listings

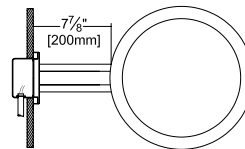
- Wet, damp or dry locations, covered ceilings. (See Option -89)
- **Three Year Limited Warranty**
- Complete standard fixture.

### Performance at a Glance

ZPR-14081



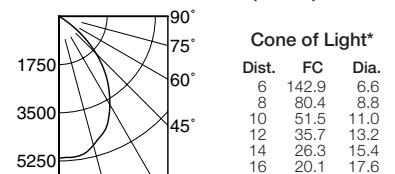
Exceptional Energy Efficiency



Representative View:  
With optional wall bracket (Option -WB)

PRELIMINARY TEST RESULTS

ZPR-14081 (165W)



EFFICIENCY: 64.5%

SC 1.1

\* For 3000°K or 4000°K see Options -LT or -LW.

Option -OG Also Shown

**Cone of Light Key**  
Ft. Distance from fixture  
FC Footcandles (average)  
Dia. Circle of light at 50% of FC  
\* Dia. (in ft.) shown is where FC value is half the FC at nadir.

## THE KIRLIN COMPANY

3401 EAST JEFFERSON AVENUE • DETROIT, MICHIGAN 48207-4232  
(313) 259-6400 • Fax: (313) 259-9409 OR (313) 259-3121 • www.kirlinlighting.com

RENAISSANCE SERIES  
COMPACT FLUORESCENT LIGHTING

MAXIMUM WATTAGE

165

CATALOG NUMBER

ZPR-14081

DUE TO OUR CONTINUING EFFORT TO IMPROVE PRODUCTS, TECHNICAL INFORMATION IS SUBJECT TO CHANGE WITHOUT NOTICE.

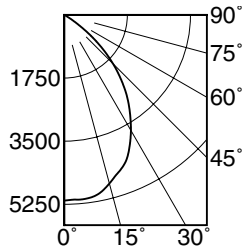
Alzak® is a registered trademark of ALCOA.

Detailed Photometry - Installed Fixture

Photometry from I.T.L., Boulder, CO

**PRELIMINARY TEST RESULTS**

ZPR-14081 (165 Watt Maximum)



SC 1.1



EFFICIENCY : 64.5%

CANDLEPOWER DISTRIBUTION					
	0.0	22.5	45.0	67.5	90.0
0	5146	5146	5146	5146	5146
5	5138	5138	5138	5138	5138
15	4839	4839	4839	4839	4839
25	4214	4214	4214	4214	4214
35	3145	3145	3145	3145	3145
45	1914	1914	1914	1914	1914
55	533	533	533	533	533
65	13	13	13	13	13
75	4	4	4	4	4
85	0	0	0	0	0
90	0	0	0	0	0

COEFFICIENTS OF UTILIZATION							
RF	20						
	80			50			
RC	70	50	30	10	50	30	10
1	73	71	69	67	67	65	64
2	68	65	61	59	61	59	57
3	64	59	55	52	56	53	51
4	60	54	50	47	52	48	46
5	56	50	45	42	48	44	41
6	52	46	41	38	44	40	37
7	49	42	38	34	41	37	34
8	46	39	35	31	38	34	31
9	44	36	32	29	35	31	29
10	41	34	29	27	33	29	26

ITL TEST \_\_\_\_\_ \*LER=47.4 •AEC=\$5.07

BULB WATTS	INITIAL LUMENS	LUMEN FACTOR	SYSTEM EFFICACY
165W	11550	1.00	67 LPW
85W	5950	0.51	67 LPW
55W	3575	0.31	62 LPW

LER = Luminaire Efficacy Ratio  
 $LER = \frac{\text{Lumens}}{\text{Input Watts}}$   
 AEC = Annual Energy Cost  
 (Based on 3000 hrs/yr @ \$0.08 KWH).

**THIS FIXTURE IS NO LONGER AVAILABLE FOR REPLACEMENT CONSULT FACTORY**

Options

**Ballast, Wattage and Voltage**

- 43 Lower wattage: 85 or 55W. Specify wattage and voltage.
- 58 277 volt 60 Hz. ballast instead.
- 97 Other input voltage. Consult factory.
- 98 Step-down transformer for 347 volt line input, prewired into fixture.

**Trims**

- 46 Gasket between trim and lens.
- OG OptiGroove, black seamless tapered aluminum with white self-flanged trim.

**Luminaire (Housing) Finishes**

- 35 Natural aluminum acrylic enamel.
- 36 Gold acrylic enamel.
- 37 Dark Bronze acrylic enamel.

- 38 Black acrylic enamel.
- 94 Custom color housing and flare bottom. Consult factory.

**Mounting**

- 54 Safety cable through pendant stem. 12" longer than specified stem length. Anchored to fixture.
- 87 Custom pendant or wall bracket (with Option -WB) length. Specify length.
- 88 Swivel canopy for sloped ceilings up to 40°. (Use with standard pendant mount) Consult factory for higher angles.
- 89 Sealed top WeatherCap. Required for wet label when top of fixture is exposed to weather (for any mount).
- WB Wall bracket mount. Also specify -89 where wet label is required.

**Other**

- 99 Special modification. Consult factory.
- LT With 4000°K bulb instead of standard 5000°K bulb. (Note: Consult factory for estimated lead time)
- LW With 3000°K bulb instead of standard 5000°K bulb. (Note: Consult factory for estimated lead time)

SUBMITTAL DATA

APPROVAL STAMP

JOB NAME \_\_\_\_\_  
 TYPE \_\_\_\_\_  
 WATTAGE \_\_\_\_\_ VOLTAGE \_\_\_\_\_  
 CATALOG NUMBER \_\_\_\_\_

LIMITED WARRANTY: CATALOGUED KIRLIN FIXTURES ARE WARRANTED FREE OF DEFECTS IN WORKMANSHIP OR MATERIAL FOR THREE YEARS FROM DATE OF PURCHASE. INSTALLLED TO N.E.C. IN NORMAL USE. Manufacturer at the option will replace or repair such fixture or return the purchase price on presentation of proof of purchase and defective fixture at the offices of manufacturer within three years of original shipment. Liability of manufacturer is limited to the foregoing, and manufacturer shall not be liable for any other damages, direct or indirect, sustained or suffered by purchaser or any person. This warranty is supplied to the Buyer in place of all other warranties, expressed or implied. Seller does not warrant as to merchantability or fitness for a particular use, nor will any oral statement constitute a warranty or amend this specific warranty. Abnormal use, abuse of the fixture, improper installation, or repair or modification of the fixture without prior written authorization from the manufacturer will render the warranty void.