

Indoor Direct-Indirect: Regressed Lens

Features

Lamp

- Designed for:
 - 1 vertical Quad 18 watt (direct).
 - 1 vertical Quad 13 watt (indirect).
- 2 pin G24d-2 base (direct).
- 2 pin GX23 base (indirect).
- See Option -43 for lower wattage.

Ballast

- Thermally protected, enclosed and potted standard.
- High power factor standard.
- Single circuit wiring. Optional two-circuit wiring. (See Option -84)
- 120 volt standard or see optional voltages.
- Electronic optional. (See Option -96)

Fuse

- Available as Option -FS (single) or -FD (double).

Reflectors

- Specular Alzak® aluminum.

Trim Assemblies (Direct and Indirect)

- White grooveless flare trim.
- Self-flanged trim.

- Regressed prismatic, tempered low brightness C#73 spread distribution lens.
- Optional black OptiGroove trim, acrylic or fresnel lens; anopal or polycarbonate available. (See Options)

Housing

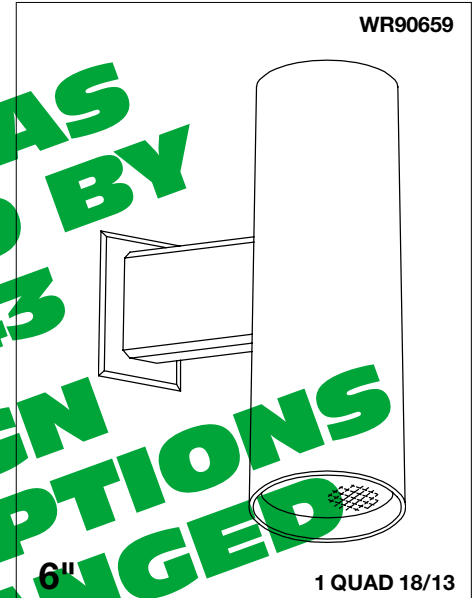
- Seamless, white acrylic enameled aluminum with regressed flare trim.
- Cool: Dissipates heat across entire surface area.
- Rustproof: Exceeds 1000 hour ASTM 5% salt spray test.
- No visible cylinder hardware. Wall bracket and white finish are standard.

Installation

- 7" wall bracket extrusion assembled to housing. Wall plate included.
- Indoor only for covered ceiling use. (See WR90656 for outdoor use)

UL, C-UL (Canada) Listings

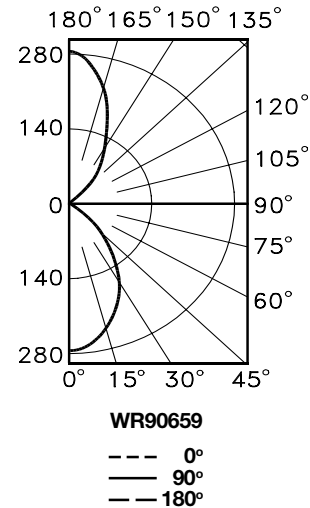
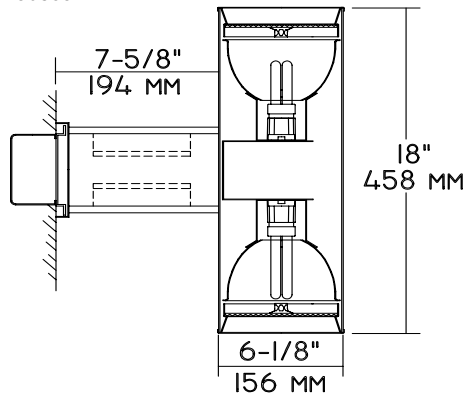
- Damp or dry locations, covered ceilings.
- **Three Year Limited Warranty**
- Complete Standard fixture.



*Architectural Aesthetics
Direct / Indirect*

Performance at a Glance

WR90659



THE KIRLIN COMPANY

3401 EAST JEFFERSON AVENUE • DETROIT, MICHIGAN 48207-4232
(313) 259-6400 • Fax: (313) 259-9409 OR (313) 259-3121

**CENTURY SERIES
ARCHITECTURAL
COMPACT FLUORESCENT LIGHTING**

MAXIMUM WATTAGE

CATALOG NUMBER

1 Quad 18/13

WR90659

THE KIRLIN COMPANY RESERVES THE RIGHT TO CHANGE, WITHOUT NOTICE, DETAILS OR SPECIFICATIONS IN PRODUCT DESIGN.

Alzak® is a registered trademark of ALCOA.

