

Direct-Indirect: For Four Lamps

Features

Lamp

- Designed for:
 - 2 horizontal Triple Tube 42 watt (direct).
 - 2 horizontal Triple Tube 32 watt (indirect).
- 4-pin GX24q-4 base: direct.
- 4-pin GX24q-3 base: indirect.
- See Option -43 for lower wattage.

Ballasts

- Regulating electronic high power factor, thermally protected, enclosed.
- Direct: Cold weather, -18°C to -20°C (0°F to -5°F).
- Indirect: -5° to -10°C (14° - 23°F) rated. Cold weather available, see Option -CW.
- Built-in FIP filter. THD is less than 10%.
- 120 volt standard or see optional voltages.
- Single circuit wiring or see Option -84 for two circuit wiring.
- Dimming optional. See Option -39.

Fuse

- Available as Option -FS. Also see -FD.

Reflectors

- Self-flanged specular Alzak® aluminum.
- WR81242 Direct: Optional SoftTex softly etched Clear, Dune, Champagne Gold or Wheat; or custom color Option -94.

Trim Assembly - Direct: WR81241

- White grooveless flare trim.
- Regressed prismatic, tempered low brightness C#73 spread distribution lens.

Optional lenses and trims available.

Trim Assemblies - Indirect:

- UV absorbing tempered prismatic glass on upper reflector.
- For outdoor use, add Option -86. WeatherCap with tempered low brightness prismatic glass, gasketed. Required for "Wet" label.

Housing

- Seamless, white acrylic enameled aluminum with white grooveless flare trim.
- No visible cylinder hardware. Wall bracket is standard.
- Cool: Dissipates heat across entire surface area.
- Rustproof: Exceeds 1000 hour ASTM 5% salt spray test.

Installation

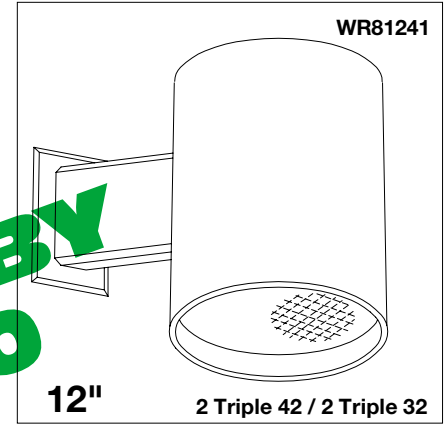
- 7" wall bracket extrusion assembled to housing. Wall plate included.
- For indoor covered ceiling use. For outdoor use, specify optional weatherproof top. (See Option -86: Prismatic WeatherCap)

UL, C-UL (Canada) Listings

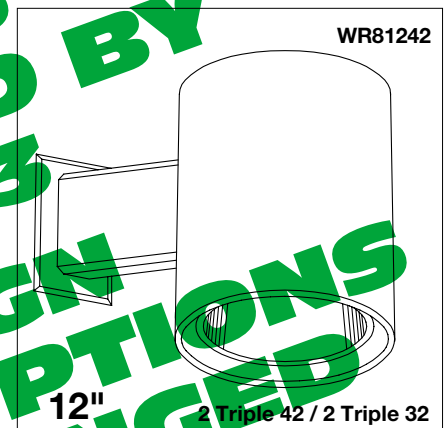
- Damp or dry locations, covered ceilings.
- Wet, damp or dry locations with Option -86.

Three Year Limited Warranty

- Complete standard fixture.

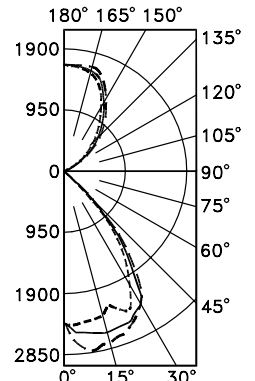
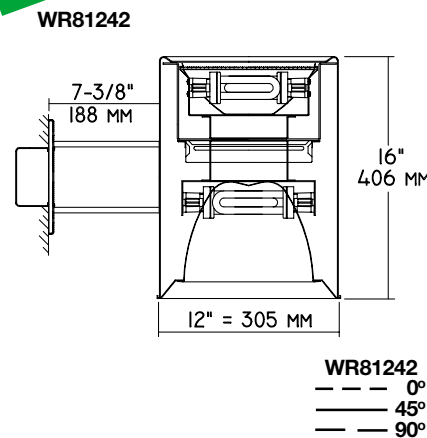
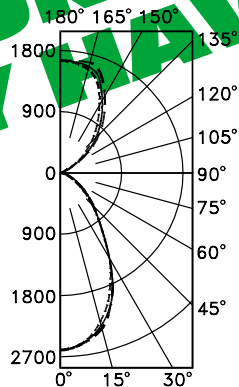
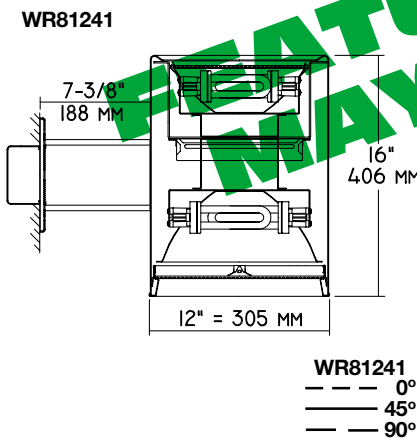


Stairwells, Malls



Attractive Open Flare Trim (Direct Position)

Performance at a Glance



THE KIRLIN COMPANY

3401 EAST JEFFERSON AVENUE • DETROIT, MICHIGAN 48207-4232
(313) 259-6400 • Fax: (313) 259-9409 OR (313) 259-3121

SECOND CENTURY SERIES
TRIPLE TUBE
COMPACT FLUORESCENT LIGHTING

MAXIMUM WATTAGE

2 Triple 42 / 2 Triple 32
2 Triple 42 / 2 Triple 32

CATALOG NUMBERS

WR81241
WR81242

DUE TO OUR CONTINUING EFFORT TO IMPROVE PRODUCTS, TECHNICAL INFORMATION IS SUBJECT TO CHANGE WITHOUT NOTICE.

Alzak® is a registered trademark of ALCOA.

WR81241
WR81242

WALL BRACKET ROUND: TRIPLE TUBE 42 / 32 WATT COMPACT FLUORESCENT

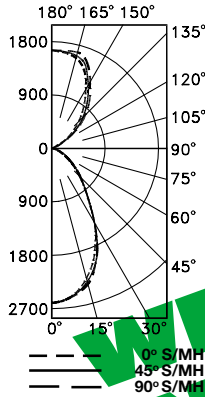
KIRLIN

Detailed Photometry - Installed Fixture

FROM I.T.L. (BOULDER, CO) WR81241: TEST NUMBER 45269
WR81242: TEST NUMBER 45270

WR81241

*LER = 37.3
•AEC = \$6.43



CANDLEPOWER DISTRIBUTION

	0.0	22.5	45.0	67.5	90.0
0	2612	2612	2612	2612	2612
10	2471	2489	2493	2512	2506
30	1400	1442	1437	1467	1430
50	360	389	376	419	400
70	107	113	116	127	125
90	0	0	0	0	0
110	113	123	128	134	130
130	334	375	374	426	424
150	1128	1194	1257	1339	1340
170	1624	1631	1643	1656	1662
180	1645	1645	1645	1645	1645

COEFFICIENTS OF UTILIZATION

RF	20						
	80			50			
RC	70	50	30	10	50	30	10
RW	55	53	51	50	43	42	41
1	51	48	45	42	38	37	35
2	47	43	39	36	35	33	31
3	44	39	35	32	32	29	27
4	41	35	31	28	29	26	24
5	38	32	28	25	27	24	22
6	35	29	25	22	24	22	20
7	33	27	23	20	23	20	18
8	31	25	21	18	21	18	16
9	29	23	19	17	20	17	15
10	29	23	19	17	20	17	15

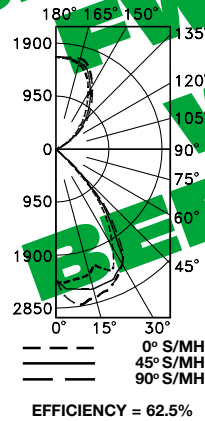
* LER = Luminaire Efficiency Rating

LER = Luminaire Efficacy x Total Lamp Lumens x Ballast Factor / Input Watts

• AEC = Annual Energy Cost per 1000 lumens (based on 3000 hours use @ \$0.08 KWH).

WR81242

*LER = 41.6
•AEC = \$5.77



CANDLEPOWER DISTRIBUTION

	0.0	22.5	45.0	67.5	90.0
0	2337	2337	2337	2337	2337
10	2335	2487	2630	2766	2834
30	2110	2362	2419	2463	2408
50	113	202	216	295	235
70	1	2	4	5	7
90	0	0	0	0	0
110	118	130	133	142	137
130	345	391	395	451	445
150	1179	1243	1304	1380	1382
170	1635	1643	1665	1667	1675
180	1650	1650	1650	1650	1650

COEFFICIENTS OF UTILIZATION

RF	20						
	80			50			
RC	70	50	30	10	50	30	10
RW	64	61	60	58	50	49	48
1	59	55	52	50	46	44	42
2	55	50	46	43	42	39	37
3	51	46	41	38	38	36	33
4	48	42	37	34	35	32	30
5	44	38	34	30	32	29	27
6	42	35	30	27	30	27	24
7	39	32	28	25	28	24	22
8	36	30	25	22	26	22	20
9	34	27	23	21	24	21	19
10	34	27	23	21	24	21	19

Options*

NOTE: ALL LENS OPTIONS ARE FOR WR81241 (DIRECT) ONLY. ALL REFLECTOR COLOR OPTIONS ARE FOR WR81242 (DIRECT) ONLY.

- 13 Clear 1/8" flat polycarbonate below, with tempered prismatic flat C#73 lens above.
- 17 Prismatic 3/16" high strength acrylic instead.
- 18 Anopal flat glass. Not enameled. Diffusing.
- 20 White 1/2" cube eggcrate aluminum louver.
- 21 White translucent flat polycarbonate instead.
- 35 Silver enameled luminaire finish.
- 36 Gold enameled luminaire finish.
- 37 Dark Bronze enameled luminaire finish.
- 38 Black enameled luminaire finish.
- 39 Consult factory for availability of installed electronic dimming ballast. Also see Options -84, -LE and -WD. Indoor use.
- 43 Lower wattage triple tube: Specify 2-32 or 26 watt (direct); 2-26 or 18 watt (indirect).

- 45 Gasket between trim and housing (direct).
- 46 Gasket between trim and lens (direct position).
- 58 277 volt 60 Hz. ballasts instead.
- 70 SofTex Clear softly etched reflector. (CP x .93)
- 71 SofTex Dune softly etched reflector. (CP x .87)
- 75 Remote emergency "Ni-Cad" battery pack. Controls 1 lamp. 4' of flex provided. Indoor use.
- 84 Fixture wired for two circuits. See Option -FD.
- 86 Prismatic glass WeatherCap for indirect position of luminaire; for installation in areas exposed to weather. Gasketed. Required for "Wet" label.
- 90 SofTex Champagne Gold softly etched reflector. (CP x .90)
- 91 SofTex Wheat softly etched reflector. (CP x .87)
- 94 Custom color luminaire or reflector / trim in either position. Specify part(s). Consult factory.
- 97 Other voltage ballast. Consult factory.
- 98 347 volt 60 Hz. ballast instead.
- 99 Special modification. Consult factory.

- CW Cold weather electronic HPF ballast for 32 or 26 watt in either position. -18°C to -20°C (0°F to -5°F).
- FD Double Fused primary. One per ballast. Replaceable. For use with Option -84.
- FR Fresnel tempered lens. Concentric.
- FS Fused primary. One per fixture. Replaceable.
- FT Flat white trim instead. Tempered prismatic C#73 spread lens or specify optional lens.
- HO Holophane concave prismatic tempered lens.
- LE With 4-pin electronic Triple Tube amalgam lamps. 82 CRI and 10,000 hour life. 3500°K or consult factory for 2700°K, 3000°K or 4100°K. Specify wattage and color temperature.
- OG OptiGroove; black. WR81241: Assembly with regressed tempered C#73 lens. WR81242: Tapered aluminum cone.
- WD Wall Dimmer for use with Option -39. Consult factory for use with 18 or 26 watt.

SUBMITTAL DATA

APPROVAL STAMP

JOB NAME _____
 TYPE _____
 WATTAGE _____ VOLTAGE _____
 CATALOG NUMBER _____

* ALL LENS AND TRIM OPTIONS ARE FOR DIRECT POSITION ONLY (EXCEPT OPTION -86) OR SEE OPTIONS -94 and -99.

LIMITED WARRANTY: CATALOGUED KIRLIN FIXTURES ARE WARRANTED FREE OF DEFECTS IN WORKMANSHIP OR MATERIAL FOR THREE YEARS FROM DATE OF PURCHASE. INSTALLATION, MAINTENANCE, AND REPAIRS ARE THE RESPONSIBILITY OF THE USER. THE PURCHASER'S PRICE OR PRESENTATION OF THE PRODUCT IS NOT A WARRANTY. THE MANUFACTURER'S WARRANTY IS LIMITED TO THE FOREGOING, AND MANUFACTURER SHALL NOT BE LIABLE FOR ANY OTHER DAMAGES, DIRECT OR INDIRECT, SUSTAINED OR SUFFERED BY PURCHASER OR ANY PERSON. THIS WARRANTY IS SUPPLIED FOR THE EXCLUSIVE USE OF THE PURCHASER. ANY OTHER STATEMENT OR WARRANTY OF A PARTICULAR USER IS VOID. THE MANUFACTURER WILL NOT BE RESPONSIBLE FOR THE USER'S LOSS OF PROFITS OR BUSINESS INTERRUPTION.