

Direct-Indirect: Indoor Applications

Features

Lamp

- Designed for:
 - 1 vertical Triple Tube 26 watt (direct).
 - 1 vertical Triple Tube 26 watt (indirect).
- 4-pin GX24q-3 base.
- See Option -43 for lower wattage.

Ballast

- Regulating electronic high power factor, thermally protected, encased.
- Starting temperature -5° to -10°C (14° to 23°F). See Option -CW for cold weather.
- Built-in RIF filter. THD is less than 10%.
- Single circuit wiring or see Option -84 for two circuit.
- 120 volt standard or see optional voltages.

Fuse

- Available as Option -FS. Also see -FD.

Reflector

- Low iridescence specular Alzak® aluminum reflectors.

- Optional SofTex softly etched Clear, Dune, Champagne Gold or Wheat available for direct position.
- Optional OptiGroove assembly available.

Housing

- White acrylic enameled aluminum.
- No visible cylinder hardware. Wall bracket and white finish are standard.
- Cool: Dissipates heat across entire surface area.
- Rustproof: Exceeds 1000 hour ASTM 5% salt spray test.

Installation

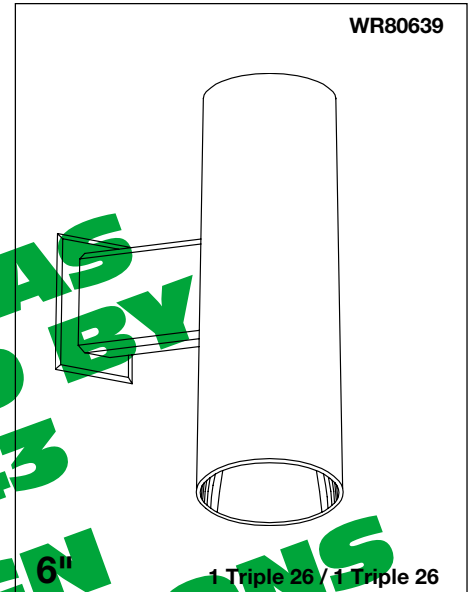
- 7" wall bracket extrusion assembled to housing. Wall plate included.
- Indoor only for covered ceiling use.

UL, C-UL (Canada) Listings

- Damp or dry locations, covered ceilings.

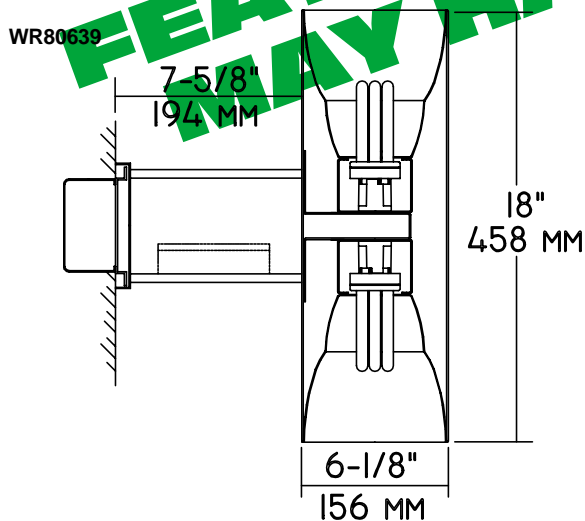
Three Year Limited Warranty

- Complete standard fixture.



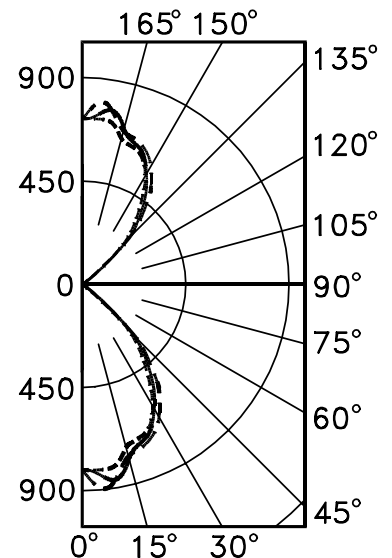
6" 1 Triple 26 / 1 Triple 26
63% Efficiency
Efficient Hotel / Retail Lighting

Performance at a Glance



WR80639

- 0°
- 45°
- 90°



THE KIRLIN COMPANY

3401 EAST JEFFERSON AVENUE • DETROIT, MICHIGAN 48207-4232
(313) 259-6400 • Fax: (313) 259-9409 OR (313) 259-3121 • www.light-link.com/kirlin

SECOND CENTURY SERIES
TRIPLE TUBE
COMPACT FLUORESCENT LIGHTING

MAXIMUM WATTAGE

CATALOG NUMBER

1 Triple 26 / 1 Triple 26 **WR80639**

DUE TO OUR CONTINUING EFFORT TO IMPROVE PRODUCTS, TECHNICAL INFORMATION IS SUBJECT TO CHANGE WITHOUT NOTICE.

Alzak® is a registered trademark of ALCOA.

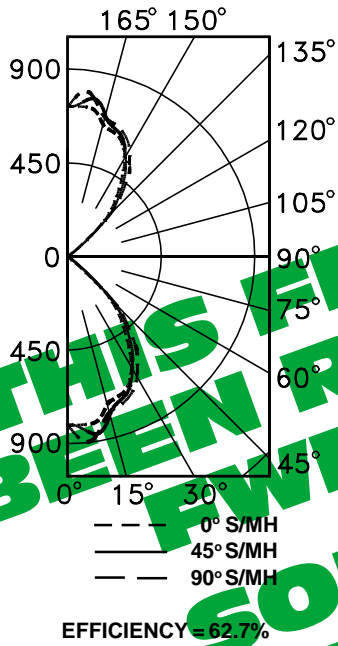
Detailed Photometry - Installed Fixture

FROM I.T.L. (BOULDER, CO) TEST NUMBER 43978

CANDLEPOWER DISTRIBUTION

Table with 5 columns (0.0, 22.5, 45.0, 67.5, 90.0) and 13 rows (0, 10, 30, 50, 70, 90, 110, 130, 150, 170, 180) showing candlepower values.

WR80639 *LER = 38.3 *AEC = \$6.27



COEFFICIENT OF UTILIZATION

Table with 2 columns (RW, CRF) and 11 rows (7, 8, 9, 10, 50, 30, 10) showing utilization coefficients.

* LER = Luminaire Efficiency Rating

LER = Luminaire Effic. x Total Lamp Lumens x Ballast Factor / Input Watts

* AEC = Annual Energy Cost per 1000 lumens (based on 3000 hours use @ \$0.08 KWH).

Options*

- List of options including luminaire finishes (-35 to -39), reflector types (-43, -70, -71), remote emergency pack (-75), wiring options (-84, -90, -91), reflector materials (-94), voltage ballast (-97), special modifications (-99), and ballast types (-CW).

SUBMITTAL DATA

APPROVAL STAMP

Form fields for JOB NAME, TYPE, WATTAGE, VOLTAGE, and CATALOG NUMBER.

*ALL REFLECTOR FINISH OPTIONS ARE FOR DIRECT POSITION ONLY OR SEE OPTIONS -94 and -99.

LIMITED WARRANTY: CATALOGUED KIRLIN FIXTURES ARE WARRANTED FREE OF DEFECTS IN WORKMANSHIP OR MATERIAL FOR THREE YEARS FROM DATE OF PURCHASE...

THIS FIXTURE HAS BEEN REPLACED BY PWR-06066-43 SOME DESIGN FEATURES OR OPTIONS MAY HAVE CHANGED