

Direct-Indirect: Regressed Lens for Indoor or Outdoor (Option -86) Use

Features

Lamps / Sockets

- Designed for: 1 Vertical 100 watt (max.) A-19 (direct and indirect) inside frosted incandescent lamps (by others).
- Dimmable (controls by others).
- Glazed porcelain medium base sockets.

Reflectors

- Specular Alzak® aluminum.

Trim Assemblies (Direct and Indirect)

- White grooveless flare trim.
- Self-flanged trim.
- Regressed prismatic, tempered low brightness C#73 spread distribution lens.
- Black OptiGroove, flat trim or eggcrate louver available. See Options.
- Anopal, fresnel, or tamper-resistant lens available. See Options.

Housing

- Seamless, deep-drawn rigid aluminum with wall bracket. No visible hardware.
- White acrylic enameled finish standard. See Options for other colors.
- Rustproof: Exceeds 1000 hour ASTM 5% salt spray test.
- Cool: Dissipates heat across entire surface area.

Installation

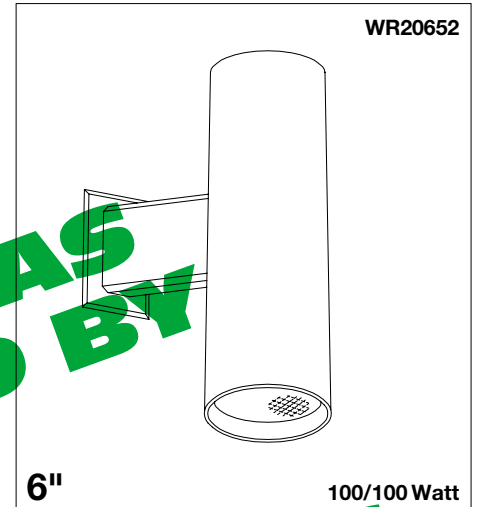
- 3" wall bracket extrusion assembled to housing. Wall plate included, for recessed outlet box.
- Indoor for covered ceiling use. For outdoor use, Option -86 required.

UL, C-UL (Canada) Listings

- Wet, damp or dry locations, covered ceilings. (See Option -86)

Three Year Limited Warranty

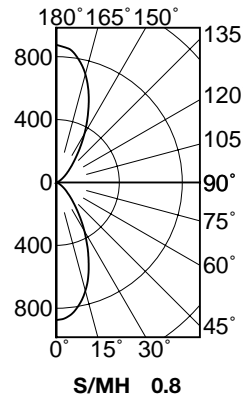
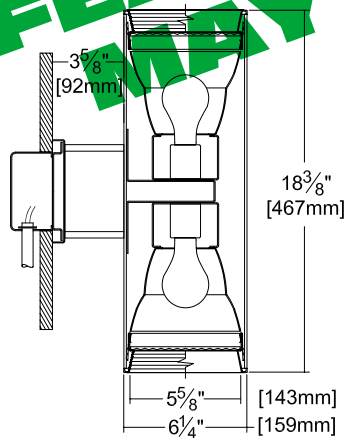
- Complete standard fixture.



*Ideal for Accent Lighting
Dimmable Up-Down Illumination
Optional Lenses, Colors, Trims*

Performance at a Glance

WR20652



Cone of Light*

Ft.	FC	Dia.
6	24.3	4.8
8	13.7	6.5
10	8.38	8.1
12	6.1	9.7
14	4.5	11.3
16	3.4	12.9

Cone of Light Key

- Ft.** Distance from fixture
- FC** Footcandles (average)
- Dia.** Circle of light at 50% of FC

* Dia. (in ft.) shown is where FC value is half the FC at nadir.

THE KIRLIN COMPANY

3401 EAST JEFFERSON AVENUE • DETROIT, MICHIGAN 48207-4232
(313) 259-6400 • Fax: (313) 259-9409 OR (313) 259-3121 • www.light-link.com/kirlin

NEW MILLENNIUM

TUNGSTEN HALOGEN and
INCANDESCENT LIGHTING

LAMP

A-19 / A-19

MAXIMUM WATTAGE

100 / 100

CATALOG NUMBER

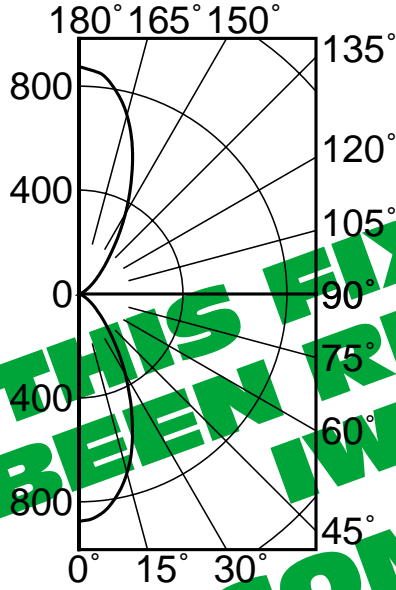
WR20652

Detailed Photometry - Installed Fixture

PHOTOMETRIC TEST NUMBER K00-09192

WR20652 100W

CANDLEPOWER DISTRIBUTION



	0.0	45.0	90.0	135.0	180.0
0	875	875	875	875	875
5	856	856	856	856	856
15	713	713	713	713	713
25	474	474	474	474	474
35	253	253	253	253	253
45	118	118	118	118	118
55	53	53	53	53	53
65	20	20	20	20	20
75	3	3	3	3	3
85	0	0	0	0	0
95	0	0	0	0	0
105	0	0	0	0	0
115	3	3	3	3	3
125	20	20	20	20	20
135	53	53	53	53	53
145	118	118	118	118	118
155	253	253	253	253	253
165	474	474	474	474	474
175	713	713	713	713	713
180	875	875	875	875	875

THIS FIXTURE HAS BEEN REPLACED BY IWR-06146 SOME DESIGN FEATURES OR OPTIONS MAY HAVE CHANGED

Options

- 13 Clear 1/8" flat polycarbonate below, with prismatic flat C#73 lens above.
- 18 Anopal flat glass. Not enameled. Diffusing.
- 20 White 1/2" cube eggcrate aluminum louver.
- 35 Silver enameled luminaire finish instead.
- 36 Gold enameled luminaire finish instead.
- 37 Dark Bronze enameled luminaire finish instead.
- 38 Black enameled luminaire finish instead.
- 45 Gasket between trim and housing.
- 46 Gasket between trim and lens.
- 86 Prismatic glass WeatherCap for indirect position of luminaire; for installation in areas exposed to weather. Gasketed. Required for "Wet" label. Not available with Option -PM.
- 94 Custom color/finish trim assembly or luminaire. Specify parts. Consult factory.
- 99 Special modification. Consult factory.
- FR Fresnel tempered lens instead. Concentric prisms.
- FT Flat white trim instead. With tempered prismatic flat C#73 spread lens or specify optional lens.
- OG OptiGroove black seamless tapered aluminum. White trim, self-flanged.

SUBMITTAL DATA

APPROVAL STAMP

JOB NAME _____

TYPE _____

WATTAGE _____ VOLTAGE _____

CATALOG NUMBER _____

LIMITED WARRANTY: CATALOGED KIRLIN FIXTURES ARE WARRANTED FREE OF DEFECTS IN WORKMANSHIP OR MATERIAL FOR THREE YEARS FROM DATE OF PURCHASE. INSTALLATION, NORMAL USE, MANUFACTURER AT THE OPTION WILL REPAIR OR REPLACE SUCH FIXTURE OR REPAIR THE PURCHASE PRICE OR PRESENTATION OF PROOF OF PURCHASE AND DEFECTIVE FIXTURE AT THE OFFICE OF MANUFACTURER WITHIN THREE YEARS OF ORIGINAL INSTALLATION. LIABILITY OF MANUFACTURER IS LIMITED TO THE FOREGOING, AND MANUFACTURER SHALL NOT BE LIABLE FOR ANY OTHER DAMAGES, DIRECT OR INDIRECT, SUSTAINED OR SUFFERED BY PURCHASER OR ANY PERSON. THIS WARRANTY IS SUPPLIED FROM THE MANUFACTURER OF THE FIXTURE. SELLER DOES NOT WARRANT AS TO MERCHANDISABILITY OR FITNESS FOR A PARTICULAR USE, NOR WILL ANY OF SAID STATEMENT, CONSULTATION, WARRANTY, OR AMENDMENT SPECIFIC WARRANTY, ABNORMAL USE, ADVICE OF THE FIXTURE, IMPROPER INSTALLATION, OR REPAIR, OR MODIFICATION OF THE FIXTURE WITHOUT PROPER WRITTEN AUTHORIZATION FROM THE MANUFACTURER OF THE FIXTURE.