

CATALOG #	TYPE	
JOB NAME	WATTAGE	VOLTAGE

Symphony Remote Driver Series

Direct/Indirect 7" Square • LED

Up to 60,000 Hour Rated Life (L70) • Wet Location
LM-80 Qualified • LM-79 Certified Photometry

SWS-07660



Specifications

Delivered System Performance

- Lumen Series: **Must Specify**
- 2500L: 2500 nominal lumens (35W) direct; 2500 nominal lumens (35W) indirect
- Distribution: MFL
- Color temperature: 3500°K standard; Optional: -27K, -30K, -41K or -50K.
- CRI: 80+ standard; Optional: -HC (90+)
- 60,000 hour rated life (L70)
- Fully sustainable: removable for servicing

Thermal Management System

- All aluminum heat sink, components and housing maximize cool operation and long life while minimizing maintenance

Remote Power Supply Required

- For 0-10V use **SYM-CABNT**
- For DMX with RDM use **SYM-DMXPS**

SmartPower™ Battery Backup

- EMI-21220** for emergency power
- See specification sheet; order separately

Trim - Direct Position

- Clear specular aluminum trim
- Self-flanged, low glare square; prismatic spread lens above
- Optional colors and finishes available

WeatherCap

- Indirect position; prismatic glass lens

Aluminum Housing

- Seamless white acrylic enameled with wall bracket
- Rigid, tempered extruded 6063-T6 with white acrylic enameled finish
- Rustproof: Exceeds 1000 hour ASTM 5% salt spray test
- No visible housing hardware
- Cool operation: Extends life of all components
- Fully sustainable: Entire luminaire, including LED light engine, easily visible and serviced

Installation

- Requires minimum 16 AWG shielded twisted pair wire from SmartDMX™ to fixtures
- Maximum cable run from driver to fixture is 250'**

- Wall bracket extrusion assembled to housing; wall plate included, for recessed outlet box
- Mounting hardware included
- Indoor or outdoor for covered ceiling use

UL, C-UL (Canada) Listings

- Wet, damp or dry locations, covered ceilings

FCC Compliance

- FCC Part 15 certified for EMI/RFI emissions

FIVE YEAR Limited Warranty

- Complete standard fixture (must be used with SYM-CABNT or SYM-DMXPS)

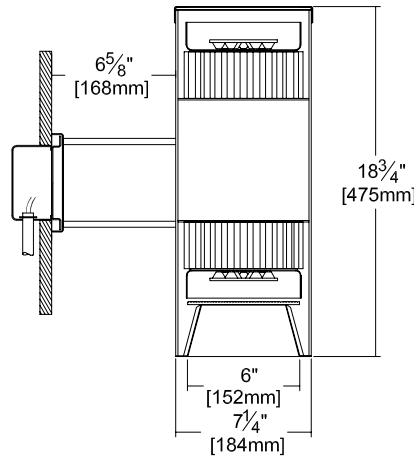


Options and Ordering Configuration

(Example: SWS-07660-2500L-30K-94)

Must Specify		Optional			
Model	Lumens	Color Temp. (CCT)	Lens & Trim (Direct Position Only)	Housing Finish	Other Options
SWS-07660					
	-2500L	(Blank): 3500°K -27K: 2700°K instead -30K: 3000°K instead -41K: 4000°K instead -50K: 5000°K instead -HC: 90+ CRI instead	(Blank): Clear specular trim; lens above -23: Frosted microprismatic lens instead -30T: White enamel (complete trim) -30F: White enamel (flange only) -70T: Clear semi-specular SofTex™ (complete trim) -94: Custom color/finish; specify; consult factory -WA: White acrylic (flat) diffuser instead	(Blank): White acrylic -35: Silver (natural aluminum) acrylic enamel -37: Dark bronze acrylic enamel -38: Black acrylic enamel -94: Custom color/finish; specify; consult factory	(Blank): None -99: Special modification; consult factory

Dimensions



Photometry - Installed Complete Fixture

Photometry from I.T.L., Boulder, CO

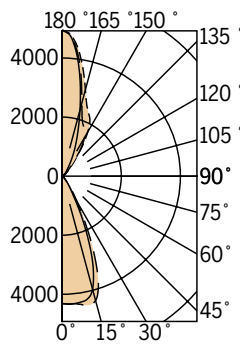
LM-79 IESNA Certified Photometry from Independent Lab

-2500L (2500/2500)

Up Lumens: 2855
 Dn Lumens: 2813
 Dn Beam: ~44°
 SC: 0.8
 LPW: 86
 Efficiency: 76.2%
 ITL Test: 86344

Cone of Light ▲

Dist.	FC	Dia.
6	119.8	4.8
8	67.4	6.5
10	43.1	8.1
12	30.0	9.7
14	22.0	11.3
16	16.9	12.9



Total System Watts 66.3

	CANDLEPOWER DISTRIBUTION				
	0.0	22.5	45.0	67.5	90.0
0	4314	4314	4314	4314	4314
10	4329	4401	4440	4320	4294
30	852	917	1030	836	730
50	34	43	53	43	29
70	1	1	1	1	1
90	0	0	0	0	0
110	45	45	43	35	32
130	205	211	184	125	105
150	1729	1946	1512	717	583
170	3863	3772	3594	3461	3429
180	4946	4946	4946	4946	4946

▲ Cone of Light Key

Dia. (in ft.) shown is where FC value is half the FC at nadir.

Dist. Distance (Ft.) from fixture
 FC Footcandles at nadir (0°)
 Dia. Circle of light at 50% of FC

LED manufacturers maintain a tolerance of +/-7% on flux (lumens) and power (electrical) measurements.

Symphony Driver Modules

Fully Digital Controlled Power Source for LED Luminaires

Mounted in Kirlin's **SYM-CABNT**

Drivers wired in series



Driver Module	Maximum Capacity	Fixture Load Examples
DVR-1400A	Qty .5: 2500L Luminaires	• Qty 1: SWS-07660-2500L requires Qty 2: DVR-1400A
DVR-1400B *Not available with DMX dimming	Qty 1: 2500L Luminaires	• Qty 1: SWS-07660-2500L

LIMITED WARRANTY: CATALOGED KIRLIN FIXTURES ARE WARRANTED FREE OF DEFECTS IN WORKMANSHIP OR MATERIAL FOR ONE YEAR FROM DATE OF PURCHASE. INSTALLATION, USE, MAINTENANCE, REPAIR, OR REWORKING OF THE FIXTURE OR THE PURCHASE PRICE OR REPRESENTATION OF THE PURCHASE AND DECLINE IN VALUE AT THE OFFICE OF MANUFACTURE WITHIN THE WARRANTY PERIOD SHALL NOT BE THE BASIS OF A CLAIM FOR WARRANTY. THIS WARRANTY IS APPLIED TO THE BUYER IN PLACE OF ALL OTHER WARRANTIES, EXPRESSED OR IMPLIED. SELLER DOES NOT WARRANT AS TO MERCHANTABILITY OR FITNESS FOR A PARTICULAR USE, NOR WILL ANY ORAL STATEMENT CONSTITUTE A WARRANTY OR AMEND THIS SPECIFIC WARRANTY. ABNORMAL USE, ABUSE OF THE FIXTURE, IMPROPER INSTALLATION, OR REPAIR OR MODIFICATION OF THE FIXTURE WITHOUT PRIOR WRITTEN AUTHORIZATION FROM THE MANUFACTURER WILL RENDER THE WARRANTY VOID.