

CATALOG #	TYPE	
JOB NAME	WATTAGE	VOLTAGE

# Symphony Remote Driver Series

## Direct/Indirect 9" Round • LED

Up to 60,000 Hour Rated Life (L70) • Wet Location  
LM-80 Qualified • LM-79 Certified Photometry

# SWR-09630



## Specifications

### Delivered System Performance

- Lumen Series: **MUST SPECIFY**
- 2500L: 2500 nominal lumens (35W) direct; 2500 nominal lumens (35W) indirect
- Distribution: MFL
- Color temperature: 3500°K standard; Optional: -27K, -30K, -41K or -50K
- CRI: 80+ standard; optional: -HC (90+)
- 60,000 hour rated life (L70)
- Fully sustainable: removable for servicing

### Thermal Management System

- All aluminum heat sink, components and housing maximize cool operation and long life while minimizing maintenance

### Remote Power Supply Required

- For 0-10V use **SYM-CABNT**
- For DMX with RDM use **SYM-DMXPS**

### SmartPower™ Battery Backup

- EMI-21220** for emergency power
- See specification sheet; order separately

### Trim - Direct Position

- Clear specular aluminum trim
- Self-flanged, low glare cone; prismatic spread lens above

- Optional colors and finishes available

### WeatherCap

- Indirect position; prismatic glass lens

### Aluminum Housing

- Seamless white acrylic enameled finish with wall bracket
- Rustproof: Exceeds 1000 hour ASTM 5% salt spray test
- Interlocking flare trim
- No visible housing hardware
- Cool operation: Extends life of all components
- Fully sustainable: Entire luminaire, including LED light engine, easily visible and serviced

### Installation

- Requires minimum 16 AWG shielded twisted pair wire from driver to fixtures
- Maximum cable run from driver to fixture is 250'**
- Wall bracket extrusion assembled to housing. Wall plate included, for recessed outlet box
- Mounting hardware included
- Indoor or outdoor for covered ceiling use

### UL, C-UL (Canada) Listings

- Wet, damp or dry locations, covered ceilings

### FCC Compliance

- FCC Part 15 certified for EMI/RFI emissions

### FIVE YEAR Limited Warranty

- Complete standard fixture (must be used with SYM-CABNT or SYM-DMXPS)

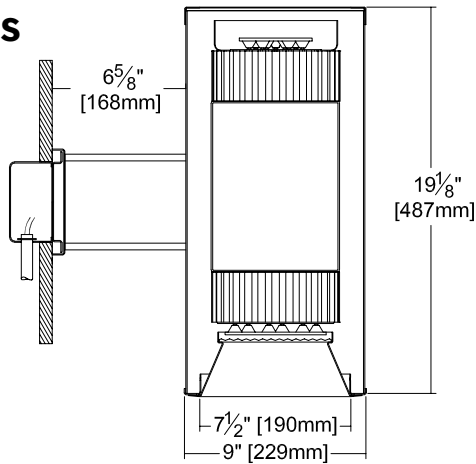
## Options and Ordering Configuration

(Example: SWR-09630-2500L-30K-38)

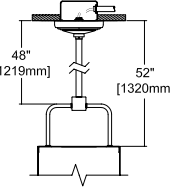


Must Specify		Optional				
Model	Lumens	Color Temp. (CCT)	Lens & Trim (Direct Position Only)	Housing Finish	Mounting	Other Options
SWR-09630	-2500L	<b>(Blank):</b> 3500°K <b>-27K:</b> 2700°K instead <b>-30K:</b> 3000°K instead <b>-41K:</b> 4000°K instead <b>-50K:</b> 5000°K instead <b>-HC:</b> 90+ CRI instead	<b>(Blank):</b> Clear specular trim; lens above <b>-13:</b> Clear flat polycarbonate below with prismatic flat lens above <b>-23:</b> Frosted microprismatic lens instead <b>-30T:</b> White enamel (complete trim) <b>-30F:</b> White enamel (flange only) <b>-70T:</b> Clear semi-specular SofTex™ (complete trim) <b>-94:</b> Custom color/finish; specify; consult factory <b>-WA:</b> White acrylic (flat) diffuser instead	<b>(Blank):</b> White enamel <b>-35:</b> Silver enamel finish <b>-37:</b> Dark bronze enamel finish <b>-38:</b> Black enamel finish <b>-94:</b> Custom color/finish; specify; consult factory	<b>(Blank):</b> None <b>-87:</b> Custom pendant length; specify length; use with Option -PM <b>-88:</b> Swivel canopy for sloped ceilings up to 40°; use with Option -PM <b>-PM:</b> Pendant mount; 48" stem & 4" offset: see diagram; also see Option -87: no wet listing	<b>(Blank):</b> None <b>-99:</b> Special modification; consult factory

### Dimensions



Representative View:  
With optional pendant mount (Option -PM)



### Photometry - Installed Complete Fixture

Photometry from I.T.L., Boulder, CO

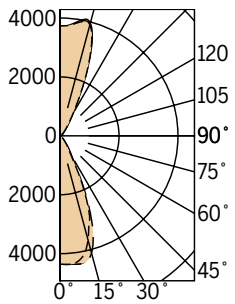
LM-79 IESNA Certified Photometry from Independent Lab

#### -2500L (2500/2500) STANDARD (MFL)

- Up Lumens: 2752
- Dn Lumens: 2698
- Dn Beam: ~43°
- SC: 0.8
- LPW: 83
- Efficiency: 73.3%
- ITL Test: 86343

**Cone of Light ▲**

Dist.	FC	Dia.
6	121.0	4.7
8	68.0	6.2
10	43.6	7.8
12	30.2	9.4
14	22.2	10.9
16	17.0	12.5



▲ Cone of Light Key

Dia. (in ft.) shown is where FC value is half the FC at nadir.

Dist. Distance (Ft.) from fixture

FC Footcandles at nadir (0°)

Dia. Circle of light at 50% of FC

Total System Watts 65.9

	CANDLEPOWER DISTRIBUTION				
	0.0	22.5	45.0	67.5	90.0
0	4355	4355	4355	4355	4355
10	4208	4294	4400	4398	4390
30	701	739	780	768	742
50	64	65	67	70	70
70	0	1	1	1	1
90	0	0	0	0	0
110	32	32	33	34	35
130	118	120	123	122	122
150	888	855	821	852	877
170	3921	3852	3786	3892	3978
180	3729	3729	3729	3729	3729

LED manufacturers maintain a tolerance of +/-7% on flux (lumens) and power (electrical) measurements.

LIMITED WARRANTY: CATALOGUED KIRLIN FIXTURES ARE WARRANTED FREE OF DEFECTS IN WORKMANSHIP OR MATERIAL FOR TWO YEARS FROM DATE OF PURCHASE. INSTALLATION, NORMAL USE, MANUFACTURER AT HIS OPTION WILL REPLACE OR REPAIR SUCH FIXTURE OR RETURN the purchase price on presentation of proof of purchase and defective fixture at the offices of manufacturer within the warranty period. Liability of manufacturer is limited to the foregoing and manufacturer shall not be liable for any other damages, direct or indirect, sustained or suffered by purchaser or any person. This warranty is applied to the buyer in place of all other warranties, expressed or implied. Seller does not warrant as to merchantability or fitness for a particular use, nor will any oral statement constitute a warranty or amend this specific warranty. Abnormal use, abuse of the fixture, improper installation or repair or modification of the fixture without prior written authorization from the manufacturer will render the warranty void.

NOVEMBER 2024

## Symphony Driver Modules

Fully Digital Controlled Power Source for LED Luminaires

Mounted in Kirlin's **SYM-CABNT**

Drivers wired in series



Driver Module	Maximum Capacity	Fixture Load Examples
DVR-1400A	Qty .5: 2500L Luminaires	• Qty 1: SWR-09630-2500L requires Qty 2: DVR-1400A
DVR-1400B *Not available with DMX dimming	Qty 1: 2500L Luminaires	• Qty 1: SWR-09630-2500L