

CATALOG #	TYPE	
JOB NAME	WATTAGE	VOLTAGE

# Symphony Remote Driver Series

## Surface Mount Decorative Sconce • LED

Central Glow Panel • Edge Glow • White Standard • Colors Optional  
Up to 90,000 Hour Rated Life (L70) • LM-80 Qualified

SSS-10680



### Specifications

#### LED Light Engine

- 15 watt LED array, 3500°K standard (or see Options -27K, -30K or -41K)
- Up to 85 CRI, up to 90,000 hour rated life in open space (L70)
- Fully sustainable; removable for servicing

#### Thermal Management System

- All aluminum heat sink, components and housing maximize cool operation and long life while minimizing maintenance

#### Remote Power Supply Required

- For 0-10V use [SYM-CABNT](#)
- For DMX with RDM use [SYM-DMXPS](#)

#### SmartPower™ Battery Backup

- [EMI-21220](#) for emergency power
- See specification sheet; order separately

#### Sconce Assembly

- Decorative brushed aluminum square faceplate (7.5" square) with clear ¼" acrylic diffuser (10" square)
- Illuminated white center field and edge glow, or see Options for colors
- Two contemporary button finials

#### Brushed Anodized Aluminum Housing

- Shallow 2½" inconspicuous depth meets all ADA requirements
- Cool operation: Extends life of all components
- Rustproof
- Fully sustainable: Entire luminaire, including light engine, is modular and easily serviced

#### Installation

- Requires minimum 16 AWG shielded twisted pair wire from SmartDMX™ to fixtures
- **Maximum cable run from driver to fixture is 250'**
- Universal back plate mounted to 4"x 4" octagon J-box (by others) installs in wall or ceiling

#### UL, C-UL (Canada) Listings

- Wet, damp or dry locations, covered ceilings

#### FCC Compliance

- FCC Part 15 certified for EMI/RFI emissions

#### FIVE YEAR Limited Warranty

- Complete standard fixture (must be used with SYM-CABNT or SYM-DMXPS)



Made in the USA  
BABAA Compliant



FCC Part 15  
Certified



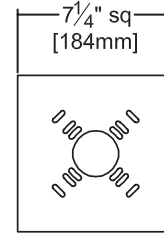
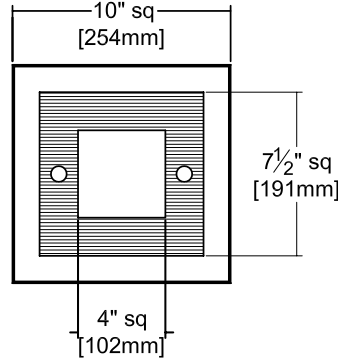
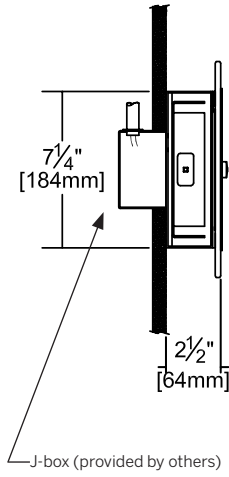
UL Listed  
Wet, Damp, Dry

## Options and Ordering Configuration

(Example: SSS-10680-27K-30-BL)

Must Specify	Optional			
Model	Color Temp. (CCT)	Faceplate & Surface Housing	Inner Lens Color	Other Options
SSS-10680	<p><b>(Blank):</b> 3500°K</p> <p><b>-27K:</b> 2700°K instead</p> <p><b>-30K:</b> 3000°K instead</p> <p><b>-41K:</b> 4100°K instead</p>	<p><b>(Blank):</b> Brushed aluminum finish</p> <p><b>-30:</b> White baked enamel finish instead for faceplate and housing</p> <p><b>-38:</b> Black baked enamel finish instead for faceplate and housing</p> <p><b>-94:</b> Custom color/finish for faceplate and housing; specify; consult factory</p>	<p><b>(Blank):</b> White lens</p> <p><b>-BL:</b> Blue filter</p> <p><b>-CF:</b> Custom filter color (Rosco); specify</p> <p><b>-GE:</b> Green filter</p> <p><b>-OR:</b> Orange filter</p> <p><b>-RA:</b> Red amber filter</p> <p><b>-RE:</b> Red filter</p> <p><b>-YE:</b> Yellow filter</p>	<p><b>(Blank):</b> None</p> <p><b>-99:</b> Special modification; consult factory</p> <p><b>-CL:</b> Custom logo/color in center field; consult factory</p>

## Dimensions



Universal back plate mounted to 4"x4" octagon J-box (by others) installs in wall or ceiling.

LED manufacturers maintain a tolerance of +/-7% on flux (lumens) and power (electrical) measurements.