

CATALOG #	TYPE	
JOB NAME	WATTAGE	VOLTAGE

Symphony Remote Driver Series

Open Appearance 12" Adjustable Cylinder • LED

Up to 60,000 Hour Life (L70) • Wet Location

LM-80 Qualified • LM-79 Certified Photometry

SSR-12626



Specifications

Delivered System Performance

- Lumen Series: **Must Specify**
- 6500L: 6500 nominal lumens (74W)
- 5000L: 5000 nominal lumens (55W)
- 4000L: 4000 nominal lumens (42W)
- 2500L: 2500 nominal lumens (35W)
- Distributions: NFL standard; Optional: -SPT or -MFL
- Color temperature: 3500°K standard; Optional: -27K, -30K, -41K or -50K
- CRI: 80+ standard; Optional: -HC (90+)
- 60,000 hour life (L70)
- Fully sustainable: removable for servicing

Center Beam Optics

- Tilts up to 35° and locks in place
- Rotates full 360° and locks in place

Thermal Management System

- All aluminum heat sink, components and housing maximize cool operation and long life while minimizing maintenance

Remote Power Supply Required

- For 0-10V use **SYM-CABNT**
- For DMX with RDM use **SYM-DMXPS**

SmartPower™ Battery Backup

- EMI-21220** for emergency power
- See specification sheet; order separately

Trim

- Clear specular aluminum trim
- Self-flanged, low glare angle-cut cone; tempered glass lens above
- Optional colors and finishes available

Aluminum Housing

- Seamless white acrylic enameled finish
- Rustproof: Exceeds 1000 hour ASTM 5% salt spray test
- Interlocking flare trim
- No visible housing hardware
- Cool operation: Extends life of all components
- Fully sustainable: Entire luminaire, including LED light engine, easily visible and serviced through aperture
- Lightweight: minimizes ceiling load

Installation

- Requires minimum 16 AWG shielded twisted pair wire from driver to fixtures
- Maximum cable run from driver to fixture is 250'**
- Center point mounting for snug fit to ceiling. Mounting hardware furnished

- 2" collar for surface J-box mount; see Option -80
- Indoor or outdoor for covered ceiling use; Weather Cap available; see Option -89

UL, C-UL (Canada) Listings

- Wet, damp or dry locations, covered ceilings; see Option -89

FCC Compliance

- FCC Part 15 certified for EMI/RFI emissions

FIVE YEAR Limited Warranty

- Complete standard fixture (must be used with SYM-CABNT or SYM-DMXPS)

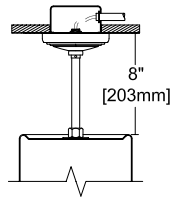
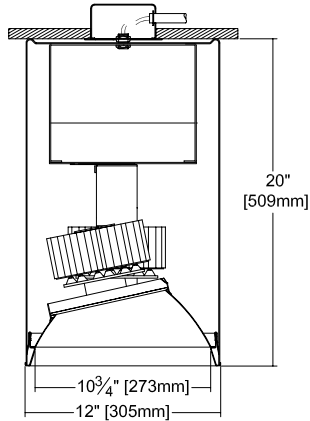


Options and Ordering Configuration

(Example: SSR-12626-6500L-30K-SPT)

Must Specify		Optional					
Model	Lumens	Color Temp. (CCT)	Distribution	Lens & Trim	Housing Finish	Mounting	Other Options
SSR-12626							
	-6500L -5000L -4000L -2500L	(Blank): 3500°K -27K: 2700°K instead -30K: 3000°K instead -41K: 4100°K instead -50K: 5000°K instead -HC: 90+ CRI instead	(Blank): NFL -MFL: Medium flood distribution -SPT: Spot distribution	(Blank): Clear specular trim; lens above -23: Frosted microprismatic lens instead -30T: White enamel (complete trim) -70T: Clear semi-specular SofTex™ (complete trim) -94: Custom color/finish; specify; consult factory -WA: White acrylic (flat) diffuser instead	(Blank): White enamel -35: Silver enamel finish -37: Dark bronze enamel finish -38: Black enamel finish -94: Custom color/finish; specify; consult factory	(Blank): Mounting hardware for surface mount -54: Safety cable from fixture through pendant stem and 12" beyond; use with -PM -80: 2" collar for mounting beneath outlet box; ½" T.S. KO's; add -89 for wet listing -87: Custom pendant or cable length; specify length; use with Option -ASB, -ASW or -PM -88: Swivel canopy for sloped ceilings up to 40°; use with Option -PM -89: Sealed top WeatherCap -ASB: Aircraft cable pendant mount; black cord; 48" or see -87; no wet listing -ASW: Aircraft cable pendant mount; white cord; 48" or see -87; no wet listing -PM: Pendant mount. 8" stem or see Option -87; add -89 for wet listing -WB: Wall bracket mount; add -89 for wet listing	(Blank): None -99: Special modification; consult factory

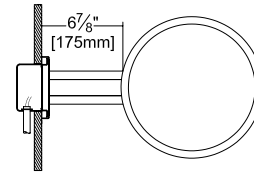
Dimensions



Representative Views:

(Left) With optional pendant mount (Option -PM)

(Right) With optional wall bracket (Option -WB)



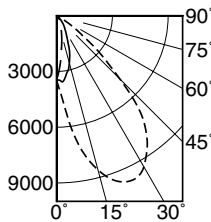
Photometry - Installed Complete Fixture

Photometry from I.T.L., Boulder, CO

LM-79 IESNA Certified Photometry from Independent Lab

-6500L STANDARD (NFL)

Lumens: 5620
 Beam: ~40°
 SC: 0.6
 LPW: 76
 Efficiency: 70.0%
 ITL Test: 88182

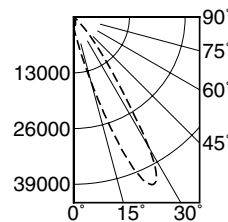


Total System Watts 74.0

	CANDLEPOWER DISTRIBUTION				
	0.0	45.0	90.0	135.0	180.0
0	3444	3444	3444	3444	3444
5	4923	4538	3570	2751	2443
15	8587	6101	2636	1285	1028
25	9744	5727	1339	576	462
35	8508	3810	697	312	254
45	4810	1574	300	145	118
55	1262	376	92	77	83
65	58	29	33	56	69
75	12	14	26	48	59
85	5	6	13	30	41
90	0	0	0	0	0

-6500L Option -SPT

Lumens: 6140
 Beam: ~16°
 SC: 0.3
 LPW: 83
 Efficiency: 76.5%
 ITL Test: 87502

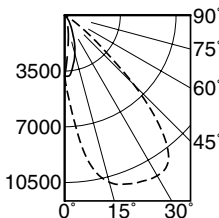


Total System Watts 73.9

	CANDLEPOWER DISTRIBUTION				
	0.0	45.0	90.0	135.0	180.0
0	2053	2053	2053	2053	2053
5	3818	3164	1978	1311	1105
15	15460	5269	1610	602	522
25	43157	4293	743	380	340
35	15840	1773	375	233	197
45	2480	524	180	92	65
55	502	141	52	40	44
65	19	18	19	26	33
75	9	9	14	22	28
85	3	3	5	12	17
90	0	0	0	0	0

-6500L Option -MFL

Lumens: 6040
 Beam: ~42°
 SC: 0.8
 LPW: 82
 Efficiency: 75.3%
 ITL Test: 87503



Total System Watts 73.9

	CANDLEPOWER DISTRIBUTION				
	0.0	45.0	90.0	135.0	180.0
0	3819	3819	3819	3819	3819
5	6511	5549	3773	2615	2277
15	10849	8301	2472	1120	799
25	11500	6384	1160	476	362
35	11313	3049	526	263	224
45	6157	1017	211	130	110
55	1045	238	71	60	62
65	42	22	24	42	53
75	10	12	20	37	45
85	4	6	10	21	28
90	0	0	0	0	0

LUMEN SERIES	LUMEN FACTOR	WATTAGE FACTOR	LPW FACTOR
-5000L	0.766	0.773	0.991
-4000L	0.614	0.578	1.062
-2500L	0.489	0.472	1.038

LED manufacturers maintain a tolerance of +/-7% on flux (lumens) and power (electrical) measurements.

LIMITED WARRANTY: CATALOGUED KIRLIN FIXTURES ARE WARRANTED FREE OF DEFECTS IN WORKMANSHIP OR MATERIAL FOR 10 YEARS FROM DATE OF PURCHASE. INSTALLED TO N.E.C. IN NORMAL USE. Manufacturer at the option will replace or repair such fixture or refund the purchase price on presentation of proof of purchase and defective fixture at the offices of manufacturer within the warranty period. This warranty shall not be liable for any other damages, direct or indirect, sustained or suffered by purchaser or any person. This warranty is applied to the buyer in place of all other warranties, expressed or implied. Seller does not warrant as to merchantability or fitness for a particular use, nor will any oral statement constitute a warranty or amend this specific warranty. Abnormal use, abuse of the fixture, improper installation, or repair or modification of the fixture without prior written authorization from the manufacturer will render the warranty void.