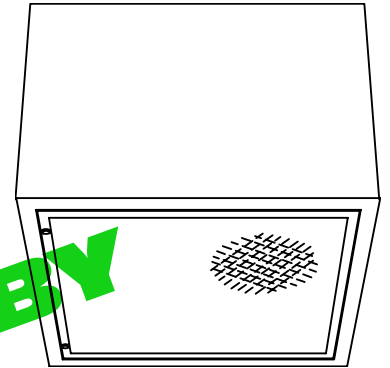


### Downlight or Offset Distribution: Halogen Resistant Swimming Pool Lighting

20-1/2"



#### Features

##### Lamp

- Designed for:
  - 400 watt clear E/ED/BT-37 vertical (RS52074).
  - 400 watt coated E/ED/BT-37 horizontal or universal (SS52075).
- See Option -43 for optional lower wattage.
- Option -23 for Mercury, Option -24 for HPS.

##### Socket

- Mogul base. Glazed porcelain.
  - RS52074: Vertical.
  - RS52075: Offset horizontal.
- Nickel-plated brass screw shell. Silicone leads.

##### Reflector

- GlasSurfaced™ multi-faceted specular aluminum.

##### Trim Assembly

- UV absorbing tempered low brightness prismatic flat glass.
- White rust-free nickel stainless door (304) with two captive screws. Slender with concealed hinges for fast relamping.
- Attractively beveled extruded aluminum frame tooled to ensure close fit with door.

- Drop guard with tempered prismatic flat glass available. Protects against thrown objects (Option -DG).

##### Ballast Assembly

- WhisperPack™ fully encapsulated 180°C rated HPF ballast.
- Premium Class H; CWA with 10:10 regulation.
- Capacitor supplied.
- 120 volt standard or see optional voltages.
- Cool, quiet, long-life. Silicone leads.

##### Fuse

- Fused primary. Renewable. Aids servicing.

##### Housing

- Halogen-resistant finish: Will not rust in heavily chlorinated atmosphere.
- Tempered, rugged .080" thick aluminum, mig welded and polished.
- Cool: Dissipates heat across entire surface area.
- Rustproof: Exceeds 1000 hour ASTM 5% salt spray test.

- White acrylic enameled finish is standard.

##### Installation

- Center point mounting with snug fit to ceiling or use four knock-outs provided.
- Indoor or outdoor for covered ceiling use (see Option -89).
- Mounting beneath surface outlet box available (Option -80).

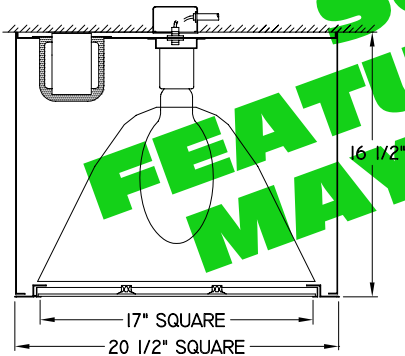
##### UL Listing

- Wet, damp or dry locations, covered ceilings. (See Option -89)

##### Three Year Limited Warranty

- Complete standard fixture.

SS52074



Cone of Light\*

| Ft. | FC    | Dia. |
|-----|-------|------|
| 6   | 269.1 | 7.5  |
| 8   | 151.3 | 10.0 |
| 10  | 96.9  | 12.4 |
| 12  | 67.3  | 14.9 |
| 14  | 49.4  | 17.4 |
| 16  | 37.8  | 19.9 |

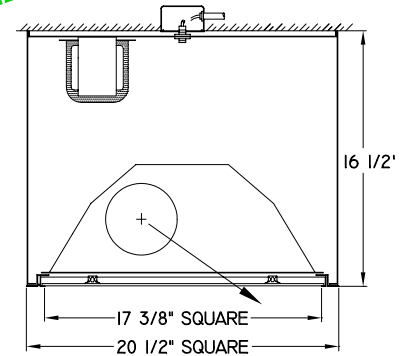
SS52074

##### Cone of Light Key

- Ft. Distance from fixture
- FC Footcandles (average)
- Dia. Circle of light at 50% of FC

\* Dia. (in ft.) shown is where FC value is half the FC at nadir.

SS52075



## THE KIRLIN COMPANY

3401 EAST JEFFERSON AVENUE • DETROIT, MICHIGAN 48207-4232  
(313) 259-6400 • Fax: (313) 259-9409 or (313) 259-3121

HIGH EFFICIENCY  
METAL HALIDE LIGHTING

| LAMP       | WATTAGE | CATALOG NUMBERS |
|------------|---------|-----------------|
| E/ED/BT-37 | 400     | SS52074         |
| E/ED/BT-37 | 400     | SS52075         |

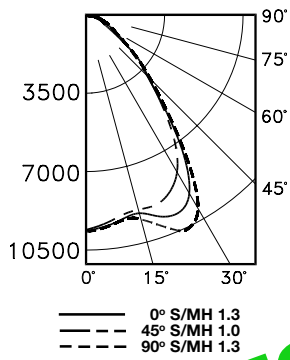
THE KIRLIN COMPANY RESERVES THE RIGHT TO CHANGE, WITHOUT NOTICE, DETAILS OR SPECIFICATIONS IN PRODUCT DESIGN.

Detailed Photometry - Installed Fixture

SS52074

CANDLEPOWER DISTRIBUTION

COEFFICIENTS OF UTILIZATION



|    | 0.0  | 22.5 | 45.0 | 67.5 | 90.0  |
|----|------|------|------|------|-------|
| 0  | 9686 | 9686 | 9686 | 9686 | 9686  |
| 5  | 9553 | 9558 | 9529 | 9519 | 9515  |
| 15 | 9334 | 9191 | 9038 | 9243 | 9467  |
| 25 | 9924 | 9477 | 8896 | 9634 | 10600 |
| 35 | 7781 | 7410 | 6981 | 7576 | 7515  |
| 45 | 3848 | 3614 | 3772 | 3667 | 3772  |
| 55 | 1924 | 1924 | 1990 | 1795 | 1791  |
| 65 | 895  | 871  | 952  | 948  | 991   |
| 75 | 571  | 590  | 567  | 548  | 552   |
| 90 | 219  | 205  | 210  | 219  | 210   |
| 10 | 0    | 0    | 0    | 0    | 0     |

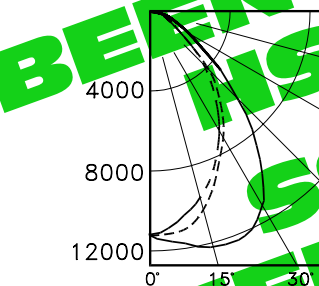
| RF | 20 |    |    |    |    |    |    |
|----|----|----|----|----|----|----|----|
|    | 80 |    |    | 50 |    |    |    |
|    | 70 | 50 | 30 | 10 | 50 | 30 | 10 |
| 1  | 58 | 56 | 54 | 53 | 53 | 52 | 50 |
| 2  | 54 | 51 | 48 | 45 | 48 | 46 | 44 |
| 3  | 50 | 48 | 42 | 39 | 43 | 40 | 38 |
| 4  | 47 | 41 | 37 | 34 | 39 | 36 | 34 |
| 5  | 43 | 38 | 34 | 31 | 36 | 33 | 30 |
| 6  | 41 | 34 | 30 | 27 | 33 | 30 | 27 |
| 8  | 38 | 32 | 28 | 25 | 30 | 27 | 25 |
| 9  | 33 | 27 | 23 | 21 | 26 | 23 | 20 |
| 10 | 31 | 25 | 21 | 19 | 24 | 21 | 19 |

EFFICIENCY = 52.5%

SS52075

CANDLEPOWER DISTRIBUTION

COEFFICIENTS OF UTILIZATION



|    | 0.0   | 45.5  | 90.0  | 135.5 | 315.0 |
|----|-------|-------|-------|-------|-------|
| 0  | 11278 | 11278 | 11278 | 11278 | 11278 |
| 5  | 11628 | 11268 | 10959 | 10777 | 11709 |
| 15 | 12195 | 11020 | 9663  | 9298  | 12073 |
| 25 | 11952 | 10189 | 7819  | 7394  | 11760 |
| 35 | 9804  | 8083  | 5733  | 5611  | 10048 |
| 45 | 6462  | 5145  | 3646  | 3484  | 6421  |
| 55 | 2836  | 2735  | 1924  | 1560  | 3322  |
| 65 | 1519  | 1276  | 972   | 891   | 1499  |
| 75 | 810   | 729   | 608   | 486   | 871   |
| 85 | 263   | 223   | 243   | 162   | 243   |
| 90 | 0     | 0     | 0     | 0     | 0     |

| RF | 20 |    |    |    |    |    |    |
|----|----|----|----|----|----|----|----|
|    | 80 |    |    | 50 |    |    |    |
|    | 70 | 50 | 30 | 10 | 50 | 30 | 10 |
| 1  | 71 | 69 | 66 | 64 | 65 | 63 | 61 |
| 2  | 66 | 61 | 58 | 55 | 58 | 55 | 53 |
| 3  | 61 | 55 | 51 | 47 | 53 | 49 | 46 |
| 4  | 57 | 50 | 45 | 42 | 48 | 44 | 41 |
| 5  | 53 | 46 | 40 | 37 | 44 | 39 | 36 |
| 6  | 49 | 42 | 37 | 33 | 40 | 36 | 32 |
| 8  | 46 | 38 | 33 | 30 | 37 | 32 | 29 |
| 9  | 43 | 35 | 30 | 27 | 34 | 30 | 27 |
| 10 | 40 | 33 | 28 | 25 | 32 | 27 | 24 |
| 11 | 38 | 30 | 26 | 23 | 29 | 25 | 22 |

EFFICIENCY = 64.2%

Options

- 23 Mercury ballast instead. 400MO standard or see Option -43. Specify voltage.
- 24 HPS ballast instead. 400MO standard or see Option -43. Specify voltage.
- 35 Silver enameled finish instead.
- 36 Gold enameled finish instead.
- 37 Dark Bronze enameled finish instead.
- 38 Black enameled finish instead.
- 43 Lower wattage mogul base - specify voltage and wattage for: Metal Halide: 250, 175; Mercury: 250, 175; HPS: 250, 150.
- 44 Black OptiGroove regress trim with UV absorbing tempered prismatic flat glass (RS52463).
- 46 Gasket between trim and lens.
- 49 Extra circuit DCB socket. (250 watt max.) Must

- not be energized simultaneously with main source.
- 54 6' relamping pole (RS52463). Opens door and replaces lamp. Also see Option -55.
- 55 4' extension(s) for standard relamp pole (Option -54). Indicate quantity.
- 58 277 volt 60 Hz. ballast instead.
- 65 Relay and DCB socket. (250 watt max.) With fixture energized, provides immediate light during HID outage. Also see Option -66.
- 66 Time delay relay and DCB socket. (250 watt max.) When energized, provides light until HID reaches 70% output.
- 80 Extension collar with two 1/2" knockouts for mounting luminaire beneath surface outlet box.
- 87 Custom -PM length. Specify up to 5 feet or consult factory. Use with Option -PM.
- 88 Swivel canopy for cloped ceilings up to 45°.

- Earthquake rated. Use with Option -PM.
- 89 Weather Cap - required when luminaire is installed without covered ceiling protection.
- 94 Custom color frame and housing. Consult factory.
- 97 Other voltage ballasts. Consult factory.
- 99 Special modification. Consult factory.
- DG Drop Guard with tempered prismatic flat glass; protects against thrown objects. Galvanized steel. White acrylic finish.
- LP With lamp. Specify source, wattage, color temperature, and clear or coated (3700°K standard for MH). Consult factory for other color temperatures.
- LS With tungsten halogen standby lamp. (250 watt max.) Use only with Options -49, -65 or -66.
- PM Pendant mount instead. 3/8" T.S. x 18" standard or see Option -87.

SUBMITTAL DATA

APPROVAL STAMP

JOB NAME \_\_\_\_\_

TYPE \_\_\_\_\_

WATTAGE \_\_\_\_\_ VOLTAGE \_\_\_\_\_

CATALOG NUMBER \_\_\_\_\_

SS52074 HAS BEEN REPLACED BY SS52075-20222-PR  
 SS52075 HAS BEEN REPLACED BY SS52075-20221-PR  
 SOME FEATURES OR OPTIONS MAY HAVE CHANGED

LIMITED WARRANTY: CATALOGED KIRLIN FIXTURES ARE WARRANTED FREE OF DEFECTS IN WORKMANSHIP OR MATERIAL FOR THREE YEARS FROM DATE OF PURCHASE. INSTALLATION MUST BE IN ACCORDANCE WITH THE MANUFACTURER'S INSTRUCTIONS. THE PURCHASER'S PRESENTATION OF PROOF OF PURCHASE AND DEFECTIVE FIXTURE AT THE OFFICES OF MANUFACTURER WITHIN THREE YEARS OF ORIGINAL SHIPMENT, AND MANUFACTURER SHALL BE OBLIGATED TO REPAIR OR REPLACE THE DEFECTIVE FIXTURE AT NO CHARGE TO THE PURCHASER. THIS WARRANTY IS APPLICABLE TO THE FIXTURE IN PLACE AT THE TIME OF PURCHASE, EXPRESSED OR IMPLIED. SELLER DOES NOT WARRANT AS TO MERCHANTABILITY OR FITNESS FOR A PARTICULAR USE, NOR WILL ANY ORAL STATEMENT CONSTITUTE A WARRANTY OF MERCHANTABILITY OR FITNESS FOR A PARTICULAR USE. MANUFACTURER AT HIS OPTION WILL REPLACE OR REPAIR SUCH FIXTURE OR RETURN TO THE PURCHASER AT HIS OPTION. THIS WARRANTY IS APPLICABLE TO THE FIXTURE IN PLACE AT THE TIME OF PURCHASE, EXPRESSED OR IMPLIED. SELLER DOES NOT WARRANT AS TO MERCHANTABILITY OR FITNESS FOR A PARTICULAR USE, NOR WILL ANY ORAL STATEMENT CONSTITUTE A WARRANTY OF MERCHANTABILITY OR FITNESS FOR A PARTICULAR USE.