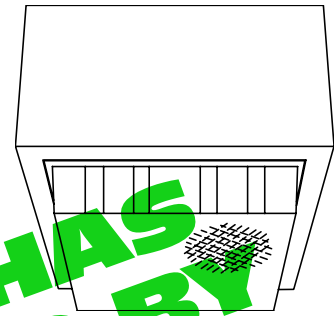


DROP BISYMMETRIC LENS: PARKING GARAGE / SOFFIT



Features

Lamp

- Designed for 175 watt coated ED/BT-28 horizontal.
- See Option -43 for optional lower wattage.
- Option -23 for Mercury, Option -24 for HPS.

Socket

- Horizontal. Mogul base.
- Glazed porcelain.
- Nickel-plated brass screw shell. Silicone leads.

Reflector

- GlasSurfaced™ multi-faceted specular aluminum.

Trim Assembly

- Drop bisymmetric prismatic Kamax® lens.
- Rust-free polished nickel stainless door (304-L) and captive thumb screw. Slender with concealed hinges for fast relamping.
- Attractively beveled cast aluminum frame tooled to ensure close fit with door.
- Drop asymmetric prismatic Kamax lens available (Option -41).
- UV absorbing tempered prismatic shock-resisting spread Kirlin lens available (Option -11).
- UV absorbing tempered low brightness prismatic flat glass available (Option -15).
- Drop polycarbonate prismatic lens for use with HPS (Option -42).
- Drop guard with tempered prismatic flat glass available. Protects against thrown objects (Option -DG).

Ballast Assembly

- WhisperPack™ fully encapsulated 180°C rated HPF ballast.

- Premium Class H: CWA with 10:10 regulation.
- Capacitor (and ignitor for 150 watt or lower) supplied.

- 120 volt standard or see optional voltages.
- Cool, quiet, long-life. Silicone leads.

Fuse

- Fused primary. Renewable. Aids servicing.

Housing

- Tempered, rigid, rustproof aluminum. Exceeds 1000 hour ASTM 5% salt spray test.
- Cool: Dissipates heat across entire surface area.
- No visible housing hardware.
- White acrylic enameled finish is standard.

Installation

- Center point mounting with snug fit to ceiling.
- Indoor or outdoor dor covered ceiling use (see Option -89).
- Mounting beneath surface outlet box available (Option -80).

UL Listing

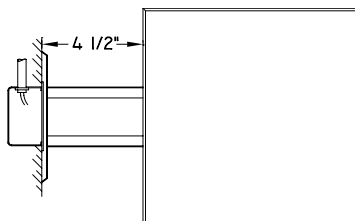
- Wet, damp or dry locations, covered ceilings (see Option -89).

Three Year Limited Warranty

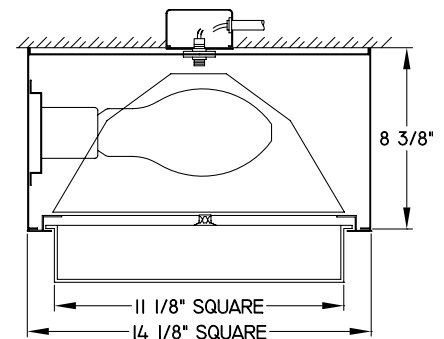
- Complete standard fixture.

THIS FIXTURE HAS BEEN REPLACED BY THE NEWER DESIGN. FEATURES OR OPTIONS MAY HAVE BEEN CHANGED.

APPROVAL STAMP



PLAN VIEW SHOWN WITH OPTIONAL WALL-BRACKET (OPTION -WB)



DATA

SUBMITTAL

VOLTAGE

WATTAGE

TYPE

MODEL

JOB NAME

LOCATION

THE KIRLIN COMPANY

3401 EAST JEFFERSON AVENUE ■ DETROIT, MICHIGAN 48207-4232
(313) 259-6400 ■ FAX: (313) 259-9409 OR (313) 259-3121

**HIGH EFFICIENCY
METAL HALIDE LIGHTING**

LAMP WATTAGE
E/ED/BT-28 175

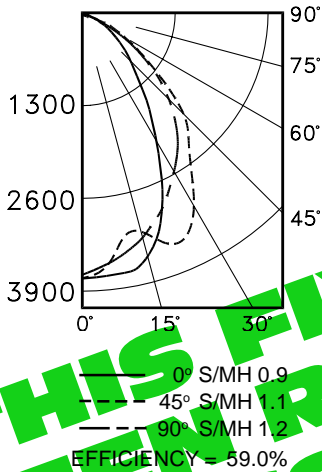
SS51472

SS51472 SURFACE SQUARE: 175 WATT MOGUL BASE METAL HALIDE



Photometric Data - Installed Fixture

SS51472



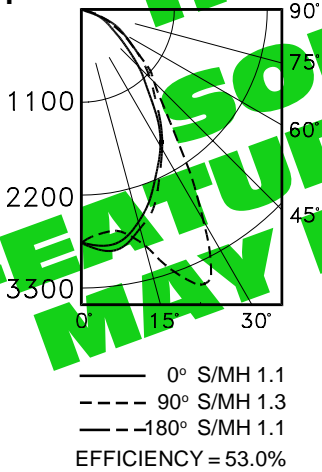
CANDLEPOWER DISTRIBUTION

	0.0	22.5	45.0	67.5	90.0
0	3743	3743	3743	3743	3743
5	3728	3722	3600	3617	3597
15	3476	3424	3199	3126	3165
25	2534	2715	2884	3355	3498
35	1492	1748	2295	2803	2737
45	855	1064	1768	2121	2034
55	453	643	1021	1123	1136
65	244	354	464	546	597
75	143	183	217	272	303
85	68	91	106	110	98
90	51	70	82	86	79

COEFFICIENTS OF UTILIZATION

RF	20						
	80			50			
RC	70	50	30	10	50	30	10
1	65	62	60	58	58	56	55
2	60	56	52	49	52	49	47
3	55	50	46	42	47	44	41
4	51	45	40	37	42	39	36
5	47	41	36	32	39	35	32
6	44	37	32	29	35	31	28
7	41	34	29	26	32	28	26
8	39	31	27	23	30	26	23
9	36	29	24	21	28	24	21
10	34	27	22	20	26	22	19

SS51472-41



	0.0	45.0	90.0	135.0	180.0
0	2847	2847	2847	2847	2847
5	2883	2754	2725	2740	2850
15	2685	2650	2922	2611	2731
25	2234	2742	3513	2727	2361
35	1656	2396	2306	2523	1736
45	992	1672	1380	1834	1126
55	548	915	794	1005	623
65	346	467	448	502	368
75	197	244	235	259	206
85	86	127	92	134	90
90	64	99	79	107	70

RF	50						
	70	50	30	10	50	30	10
1	58	55	53	52	51	50	49
2	53	49	46	43	46	43	41
3	49	44	40	37	41	38	36
4	45	40	35	32	37	34	31
5	42	36	31	28	34	30	27
6	39	33	28	25	31	27	24
7	36	30	25	22	28	25	22
8	34	27	23	20	26	22	20
9	32	25	21	18	24	21	18
10	30	23	19	17	22	19	17

Distribution curve and S/MH data shown are 90° to lamp axis.

Options

- 11 UV absorbing shock-resisting tempered prismatic spread Kirlin lens instead.
- 15 UV absorbing tempered low brightness prismatic flat glass instead.
- 23 Mercury ballast instead. 175MO standard or see Option -43. Specify voltage.
- 24 HPS ballast instead. 150MO standard or see Option -43. Specify voltage. Also see -42.
- 26 Tamper-proof recessed hex, center pin, button door screw and key. One key provided per ten fixtures.
- 27 Clear 1/4" tempered glass below prismatic flat lens, for vandal resistance. Also see -26.
- 35 Silver enameled housing and frame finish.
- 36 Gold enameled housing and frame finish.
- 37 Bronze enameled housing and frame finish.
- 38 Black enameled housing and frame finish.
- 41 Drop asymmetric prismatic polycarbonate lens

- instead.
- 42 Drop polycarbonate bisymmetric prismatic lens instead for use with Option -24: HPS.
- 43 Lower wattage - specify voltage and wattage for: Metal Halide : 175, 150, 100, 70, 50ME; Mercury: 100MO; HPS: 100, 70, 50MO.
- 46 Gasket between trim and lens.
- 49 Extra circuit DCB socket. (100W max.) Must not be energized simultaneously with main source.
- 58 277 volt 60 Hz. ballast instead.
- 65 Relay and DCB socket. (100W max.) With fixture energized, provides immediate light during HID outage. Also see Option -66.
- 66 Time delay relay and DCB socket. (100W max.) When energized, provides light until HID reaches 70% output.
- 80 Extension collar with two-1/2" knockouts (180° apart) for mounting luminaire beneath surface outlet box.
- 87 Custom -PM length. Specify up to 5 feet or consult factory. Use with Option -PM.

- 88 Swivel canopy for sloped ceilings up to 45°. Earthquake rated. Use with Option -PM.
- 89 Weather Cap - required when luminaire is installed without covered ceiling protection.
- 94 Custom color frame and housing. Consult factory.
- 97 Other voltage ballasts. Consult factory.
- 99 Special modification. Consult factory.
- DG Drop Guard with tempered prismatic flat glass; protects against thrown objects. Galvanized steel. White acrylic finish.
- LP With lamp. Specify source, wattage, color temperature, and clear or coated (3200°K standard for MH). Consult factory for other color temperatures.
- LS With tungsten halogen standby lamp. (100W max.) Use only with Options -49, -65 or -66.
- PM Pendant mount instead. 3/8" T.S. x 18" standard or see Option -87.
- WB Wall bracket mount instead. 4-1/2" arm.

THE KIRLIN COMPANY

3401 EAST JEFFERSON AVENUE ■ DETROIT, MICHIGAN 48207-4232
 (313) 259-6400 ■ FAX: (313) 259-9409 OR (313) 259-3121

SS51472

WATTAGE

175

LAMP

E/ED/BT-28

HIGH EFFICIENCY
 METAL HALIDE LIGHTING

LIMITED WARRANTY: CATALOGUED KIRLIN FIXTURES ARE WARRANTIED FREE OF DEFECTS IN WORKMANSHIP OR MATERIAL FOR THREE YEARS FROM DATE OF PURCHASE. INSTALLED TO N.E.C. IN NORMAL USE. Manufacturer at this option will replace or repair such fixture or refund the purchase price on presentation of proof of purchase and defective fixture at the offices of manufacturer within three years of original shipment. Liability of manufacturer is limited to the foregoing, and manufacturer shall not be liable for any other damages, direct or indirect, sustained or suffered by purchaser or any person. This warranty is supplied to the buyer in place of all other warranties, expressed or implied. Seller does not warrant as to merchantability or fitness for a particular use, nor will any oral statement constitute a warranty or amend this specific warranty. Abnormal use, abuse of the fixture, improper installation, or repair, or modification of the fixture without prior written authorization from the manufacturer will render the warranty void.

THIS FIXTURE HAS BEEN REPLACED BY HSS-14188-PM. SOME DESIGN FEATURES OR OPTIONS MAY HAVE CHANGED.