

Prismatic Kirlin Lens: High Lumen Output-Compact Size-Vertical Lamp

Features

Lamp

- Designed for: 250 watt clear ED/BT-28 vertical.
- See Option -43 for optional lower wattage.
- Option -23 for Mercury, Option -24 for HPS.

Socket

- Vertical. Mogul base. Glazed porcelain.
- Nickel-plated brass screw shell. Silicone leads.

Reflector

- GlassSurfaced™ multi-faceted specular aluminum.

Trim Assembly

- UV absorbing tempered prismatic shock-resisting spread Kirlin lens.
- Rustfree polished nickel stainless door (304-L) and captive thumb screw. Slender with concealed hinges for fast relamping.
- Attractively beveled cast aluminum frame tooled to ensure close fit with door. White acrylic finish.
- UV absorbing tempered low brightness prismatic flat glass available (see Option -15).

- Drop Holophane tempered lens available (see Option -DH).
- Drop Guard with tempered prismatic flat glass available. Protects against thrown objects (see Option -DG).
- Vandal resistant lens available (see Option -27).

Ballast Assembly

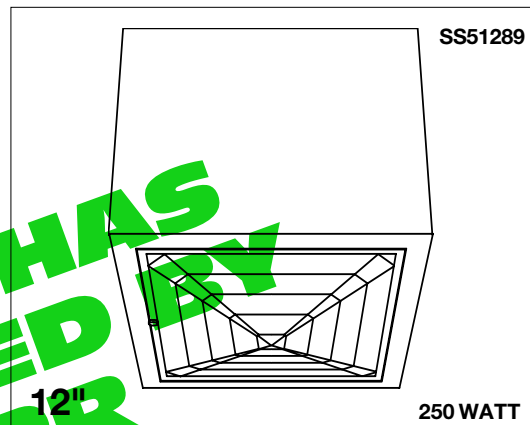
- WhisperPack™ fully encapsulated 180°C rated HPF ballast.
- Premium Class H, CWA 10:9 regulation.
- Capacitor supplied.
- 120 volt standard or see optional voltages.
- Cool, quiet, long-life. Silicone leads.

Fuse

- Fused primary. Renewable. Aids servicing.

Housing

- Tempered, rigid, rustproof aluminum. Exceeds 1000 hour ASTM 5% salt spray test.
- Cool: Dissipates heat across entire surface area.
- No visible housing hardware.
- White acrylic enameled finish standard.



**Small Size
Great 66% Efficiency**

Installation

- Center point mounting with snug fit to ceiling.
- Indoor or outdoor for covered ceiling use (see Option -89).
- Mounting beneath surface outlet box available (see Option -80).

UL, C-UL (Canada) Listings

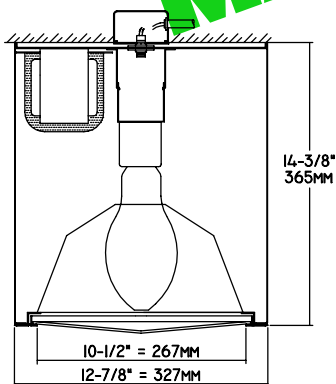
- Wet, damp or dry locations, covered ceilings (see Option -89).

Three Year Limited Warranty

- Complete standard fixture.

Performance at a Glance

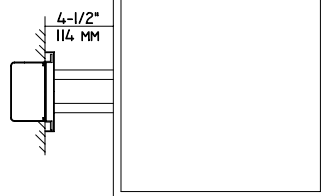
SS51289



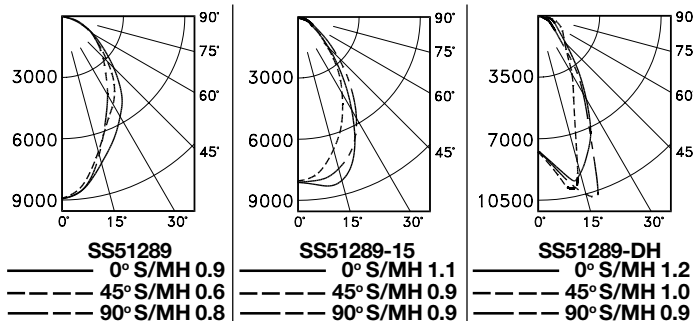
Cone of Light Key

- Ft.** Distance from fixture
- FC** Footcandles (average)
- Dia.** Circle of light at 50% of FC

* Dia. (in ft.) shown is where FC value is half the FC at nadir.



Note: Plan View shown with optional wall bracket (Option -WB)



SS51289
 ——— 0° S/MH 0.9
 - - - 45° S/MH 0.6
 - - - 90° S/MH 0.8

SS51289-15
 ——— 0° S/MH 1.1
 - - - 45° S/MH 0.9
 - - - 90° S/MH 0.9

SS51289-DH
 ——— 0° S/MH 1.2
 - - - 45° S/MH 1.0
 - - - 90° S/MH 0.9

Cone of Light*

Ft.	FC	Dia.
6	247.0	4.7
8	139.0	6.2
10	88.9	7.8
12	61.8	9.4
14	45.4	10.9
16	34.7	12.5

SS51289

Cone of Light*

Ft.	FC	Dia.
6	229.3	5.9
8	129.0	7.8
10	82.5	9.8
12	57.3	11.7
14	42.1	13.7
16	32.2	15.6

SS51289-15

Cone of Light*

Ft.	FC	Dia.
6	204.3	6.3
8	114.9	8.4
10	73.5	10.5
12	51.1	12.6
14	37.5	14.7
16	28.7	16.8

SS51289-DH

THE KIRLIN COMPANY

3401 EAST JEFFERSON AVENUE • DETROIT, MICHIGAN 48207-4232
 (313) 259-6400 • Fax: (313) 259-9409 OR (313) 259-3121

LAMP

MAXIMUM WATTAGE

CATALOG NUMBER

**HIGH EFFICIENCY
METAL HALIDE LIGHTING**

ED/BT-28

250

SS51289

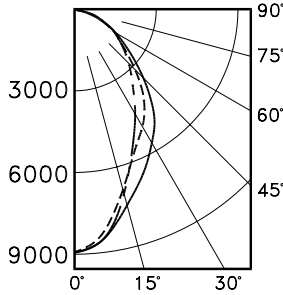
DUE TO OUR CONTINUING EFFORT TO IMPROVE PRODUCTS, TECHNICAL INFORMATION IS SUBJECT TO CHANGE WITHOUT NOTICE.

Alzak® is a registered trademark of ALCOA.

Detailed Photometry - Installed Fixture

SS51289

——— 0° S/MH 0.9
 - - - - 45° S/MH 0.6
 - - - - 90° S/MH 0.8
EFFICIENCY = 66.1%

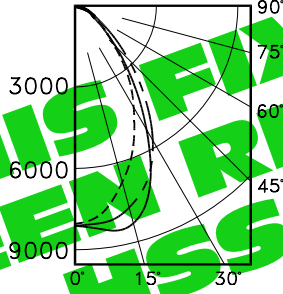


CANDLEPOWER DISTRIBUTION					
	0.0	22.5	45.0	67.5	90.0
0	8893	8893	8893	8893	8893
5	8679	8658	8608	8574	8553
15	7284	7050	6749	6616	6582
25	6064	5463	4903	5204	5279
35	5003	4160	3517	4360	4377
45	3475	2848	2543	3291	2974
55	2138	1742	1842	1980	1863
65	1236	1052	1165	1098	1136
75	493	464	530	468	476
85	92	92	126	100	92
90	17	17	29	17	17

COEFFICIENTS OF UTILIZATION							
RF	20						
	80		50				
RC	70	50	30	10	50	30	10
1	73	70	68	66	66	64	63
2	67	63	59	55	59	56	54
3	62	56	51	48	53	49	46
4	58	50	45	41	48	44	41
5	53	46	40	37	44	39	36
6	50	42	36	33	40	36	32
7	46	38	33	29	37	32	29
8	44	35	30	27	34	30	26
9	41	33	28	24	32	27	24
10	39	30	26	22	29	25	22

SS51289-15

——— 0° S/MH 1.1
 - - - - 45° S/MH 0.9
 - - - - 90° S/MH 0.9
EFFICIENCY = 61.1%

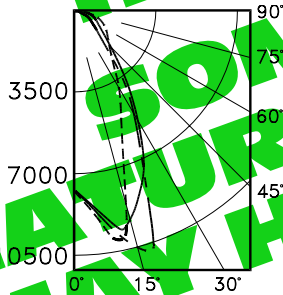


CANDLEPOWER DISTRIBUTION					
	0.0	22.5	45.0	67.5	90.0
0	8253	8253	8253	8253	8253
5	8386	8361	8236	8127	8069
15	8495	8353	7894	7259	6908
25	6716	6791	6620	5843	5187
35	4060	4356	4690	4181	3617
45	2138	2347	2660	2461	2055
55	1044	1140	1291	1236	1094
65	588	586	643	622	610
75	309	317	338	342	342
85	75	96	104	109	100
90	0	0	0	0	0

COEFFICIENTS OF UTILIZATION							
RF	20						
	80		50				
RC	70	50	30	10	50	30	10
1	68	66	64	62	62	60	59
2	63	59	56	53	56	54	51
3	59	54	50	47	51	48	45
4	55	49	45	41	47	43	41
5	51	45	40	37	43	39	36
6	48	41	37	33	40	36	33
7	45	38	34	30	37	33	30
8	42	35	31	28	34	30	28
9	40	33	28	26	32	28	25
10	38	31	26	24	30	26	23

SS51289-DH

——— 0° S/MH 1.2
 - - - - 45° S/MH 1.0
 - - - - 90° S/MH 0.9
EFFICIENCY = 65.9%



CANDLEPOWER DISTRIBUTION					
	0.0	22.5	45.0	67.5	90.0
0	7354	7354	7354	7354	7354
5	7860	7981	8031	8094	8086
15	7913	9639	10683	9564	8879
25	7008	7093	6841	5626	4661
35	4310	4364	3988	3462	3174
45	2239	2055	1976	1930	2172
55	1270	1078	1128	1220	1737
65	777	714	789	823	1061
75	476	522	551	555	551
85	284	317	338	330	276
90	175	209	221	217	192

COEFFICIENTS OF UTILIZATION							
RF	20						
	80		50				
RC	70	50	30	10	50	30	10
1	72	70	67	65	65	63	62
2	67	63	59	56	59	56	53
3	62	57	52	49	53	50	47
4	58	52	47	43	49	45	42
5	54	47	42	39	45	41	38
6	51	44	39	35	42	38	34
7	48	40	35	32	39	35	32
8	45	38	33	29	36	32	29
9	43	35	30	27	34	30	27
10	40	33	28	25	32	28	25

THIS FIXTURE HAS BEEN REDESIGNED AND SOME DESIGN OPTIONS MAY HAVE BEEN CHANGED

Options

- 15 UV absorbing tempered low brightness prismatic flat glass instead.
- 23 Mercury ballast instead. 250MO standard or see Option -43. Specify voltage.
- 24 HPS ballast instead. 250MO standard or see Option -43. Specify voltage.
- 26 Tamper-proof recessed hex, center pin, button door screw with key. One key provided per ten fixtures. Also see Option -27.
- 27 Clear 1/4" tempered glass beneath prismatic flat lens, for vandal resistance. Also see Option -26.
- 35 Silver enameled housing and frame finish.
- 36 Gold enameled housing and frame finish.
- 37 Dark Bronze enameled housing and frame finish.
- 38 Black enameled housing and frame finish.
- 43 Lower wattage mogul base - specify voltage
- 46 Gasket between trim and lens.
- 49 Extra circuit DCB socket. (150W max.) Must not be energized simultaneously with main source.
- 58 277 volt 60 Hz. ballast instead.
- 65 Relay and DCB socket. (150W max.) With fixture energized, provides immediate light during HID outage. Also see Option -66.
- 66 Time delay relay and DCB socket. (150W max.) When energized, provides light until HID reaches 70% output.
- 80 Extension collar with two 1/2" knockouts (180° apart) for mounting luminaire beneath surface outlet box.
- 87 Custom -PM length. Specify up to 5 feet or consult factory. Use with Option -PM.
- 88 Swivel canopy for sloped ceilings up to 45°. Earthquake rated. Use with Option -PM.
- 89 Weather Cap - required when luminaire is installed without covered ceiling protection.
- 94 Custom color frame and housing. Consult factory.
- 97 Other voltage ballast. Consult factory.
- 98 347 volt 60 Hz. ballast instead.
- 99 Special modification. Consult factory.
- DG Drop Guard with tempered flat prismatic glass; protects against thrown objects. Galvanized steel; white acrylic finish.
- DH Drop Holophane tempered lens instead.
- LP With lamp. Specify source, wattage, color temperature, and clear or coated (4000°K standard for 250MH). Consult factory for other color temperatures.
- LS With tungsten halogen standby lamp. (150W max.) Use only with Options -49, -65 or -66.
- PM Pendant mount instead. 3/8" T.S. x 18" standard or see Option -87.
- WB Wall bracket mount instead. 4-1/2" arm.

SUBMITTAL DATA

APPROVAL STAMP

JOB NAME _____

TYPE _____

WATTAGE _____ VOLTAGE _____

CATALOG NUMBER _____

LIMITED WARRANTY: CATALOGUED KIRLIN FIXTURES ARE WARRANTED FREE OF DEFECTS IN WORKMANSHIP OR MATERIAL FOR THREE YEARS FROM DATE OF PURCHASE. INSTALLATION TONELC, IN NORMAL USE. Manufacturer at this option will replace or repair such fixture or refund the purchase price on presentation of proof of purchase and defective fixture at the office of manufacturer within three years of original shipment. Liability of manufacturer is limited to the foregoing, and manufacturer shall not be liable for any other damages, direct or indirect, sustained or suffered by purchaser or any person. This warranty is supplied to the buyer in place of all other warranties, expressed or implied. Seller does not warrant as to merchantability or fitness for a particular use, nor will it accept a statement constitute a warranty of merchantability or fitness for a particular use. Abuse of the fixture, improper installation, or repair, or modification of the fixture without prior written authorization from the manufacturer will void the warranty.