

PRISMATIC KIRLIN LENS: SMALL SIZE - GREAT EFFICIENCY

12"

Features

Lamp

- 100 watt coated E/ED-17 horizontal.
- See Option -43 for optional lower wattage.
- Option -23 for Mercury, Option -24 for HPS.

Socket

- Horizontal. Medium base.
- Glazed porcelain.
- Nickel-plated brass screw shell. Silicone leads.

Reflector

- GlasSurfaced™ multi-faceted specular aluminum.

Trim Assembly

- UV absorbing tempered prismatic shock-resisting spread Kirlin lens.
- UV absorbing tempered low brightness prismatic flat glass available (Option -15).
- Rust-free polished nickel stainless door (304-L) and captive thumb screw. Slender with concealed hinges for fast relamping.
- Attractively beveled cast aluminum frame tooled to ensure close fit with door.
- Drop Holophane tempered lens available (Option -DH).
- Drop Guard with tempered prismatic flat glass available. Protects against thrown objects (Option -DG).

Ballast Assembly

- Core and coil 180°C rated HPF ballast.
- Premium Class H; CWA 10:10 regulation.
- Capacitor supplied.

- 120 volt standard or see optional voltages.

- Cool, long-life. Silicone leads.

Fuse

- Fused primary. Renewable. Aids servicing.

Housing

- Tempered, rigid, rustproof aluminum: Exceeds 1000 hour ASTM 5% salt spray test.
- Cool: Dissipates heat across entire surface area.
- Rustproof: Exceeds 1000 hour ASTM 5% salt spray test.
- No visible housing hardware.
- White acrylic enameled finish is standard.

Installation

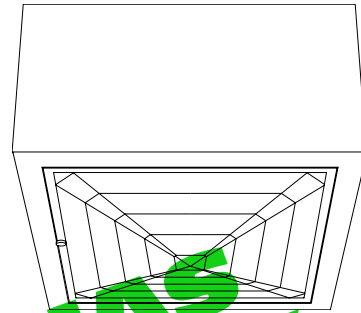
- Center point mounting with snug fit to ceiling.
- Indoor or outdoor for covered ceiling use (See Option -89)
- Mounting beneath surface outlet box available (Option -80).

UL Listing

- Wet, damp or dry locations, covered ceilings (See Option -89).

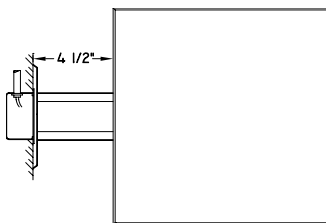
Three Year Limited Warranty

- Complete standard fixture.

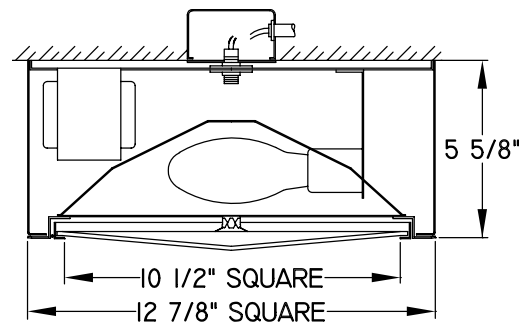


THIS FIXTURE HAS BEEN REPLACED BY THE SS518743 SOME DEPENDENT FIXTURES OR OPTIONS MAY HAVE TO BE CHANGED

APPROVAL STAMP



PLAN VIEW SHOWN WITH OPTIONAL WALL-BRACKET (OPTION -WB)



THE KIRLIN COMPANY

3401 EAST JEFFERSON AVENUE ■ DETROIT, MICHIGAN 48207-4232
(313) 259-6400 ■ FAX: (313) 259-9409 OR (313) 259-3121

**HIGH EFFICIENCY
METAL HALIDE LIGHTING**

LAMP
E/ED-17

WATTAGE
100

SS51285

SS51285 SURFACE SQUARE: 100 WATT MEDIUM BASE METAL HALIDE

KIRLIN

Performance at a Glance - Installed Fixture

SS51285

Ft.	FC	DIA.
6	77.9	7.0
8	43.8	9.3
10	28.0	11.6
12	19.5	13.9
14	14.3	16.2
16	10.9	18.6

SS51285-15

Ft.	FC	DIA.
6	107.6	6.3
8	60.5	8.4
10	38.8	10.6
12	26.9	12.7
14	19.8	14.8
16	15.1	16.9

SS51285-DH

Ft.	FC	DIA.
6	126.2	5.7
8	71.0	7.5
10	45.4	9.4
12	31.5	11.3
14	23.2	13.2
16	17.7	15.1

Cone of Light Key
Ft. Distance to surface from fixture (mounting height)
FC. Footcandles
DIA. Diameter (in feet) of the circle of light when FC value is half the FC at nadir.

Color Multiplier Guide for Optional Reflectors

-16	Gold: CP x .98
-72	Black: CP x .83
-92	Umber: CP x .88
	Pewter: CP x .95
	OptiGroove: CP x .78

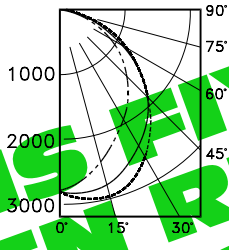
SINGLE FIXTURE

Photometric Data - Installed Fixture

SS51285

- 0° S/MH 1.3
- 90° S/MH 1.4
- 180° S/MH 1.1

EFF. = 89.6%



CANDLEPOWER DISTRIBUTION

CANDLES	FOOT CANTLES OF UTILIZATION				
	0.0	45.0	90.0	135.0	180.0
0	2803	2803	2803	2803	2803
5	2829	2865	2860	2796	2731
10	2743	2880	2970	2692	2457
25	2553	2682	2809	2379	2093
35	2284	2154	2422	1869	1795
50	1930	1581	1955	1365	1161
75	1483	1037	1439	927	1109
85	879	652	931	563	682
90	425	360	500	293	322
95	137	127	169	90	98
99	51	45	57	26	29

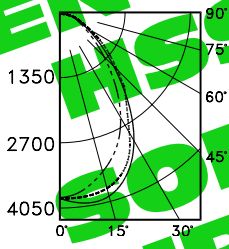
COEFFICIENTS OF UTILIZATION

RC	COEFFICIENTS OF UTILIZATION									
	80					50				
RW	70	50	30	10	50	30	10	50	30	10
1	98	94	90	87	88	85	83			
2	89	82	76	72	77	73	69			
3	82	73	66	60	69	63	59			
4	75	65	57	51	61	55	50			
5	69	58	50	45	55	49	44			
6	64	53	45	39	50	44	39			
7	60	48	40	35	46	39	34			
8	56	44	36	31	42	36	31			
9	52	40	33	28	39	33	28			
10	49	37	30	26	36	30	26			

SS51285-15

- 0° S/MH 1.2
- 90° S/MH 1.1
- 180° S/MH 1.0

EFF. = 86.8%



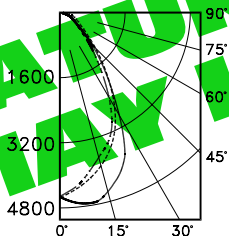
CANDLES	FOOT CANTLES OF UTILIZATION				
	0.0	45.0	90.0	135.0	180.0
0	3875	3875	3875	3875	3875
5	3974	3947	3868	3780	3732
10	3943	3876	3698	3492	3425
15	3488	3393	3254	3006	2948
25	2533	2553	2465	2264	2106
35	1483	1699	1616	1469	1270
55	774	857	736	765	684
65	345	410	414	376	337
75	203	219	210	217	208
85	56	62	64	62	66
90	0	0	0	0	0

RC	COEFFICIENTS OF UTILIZATION									
	80					50				
RW	70	50	30	10	50	30	10	50	30	10
1	96	93	90	87	87	85	83			
2	89	83	78	74	79	75	72			
3	83	75	69	64	71	67	63			
4	77	68	62	57	65	60	55			
5	72	62	55	50	59	54	49			
6	67	57	50	45	54	49	44			
7	62	52	45	41	50	44	40			
8	58	48	41	37	46	41	37			
9	55	44	38	34	43	37	33			
10	52	41	35	31	40	35	31			

SS51285-DH

- 0° S/MH 1.1
- 90° S/MH 1.0
- 180° S/MH 0.9

EFF. = 86.0%



CANDLES	FOOT CANTLES OF UTILIZATION				
	0.0	45.0	90.0	135.0	180.0
0	4543	4543	4543	4543	4543
5	4705	4606	4412	4328	4350
10	4563	4344	3960	3745	3732
15	3830	3470	3205	3003	3092
25	2179	2405	2119	2026	1822
35	1082	1463	1141	1259	936
45	442	563	526	542	449
55	318	410	391	387	303
65	232	315	287	291	213
75	144	205	177	187	127
85	56	62	64	62	66
90	110	149	132	133	93

RC	COEFFICIENTS OF UTILIZATION									
	80					50				
RW	70	50	30	10	50	30	10	50	30	10
1	94	91	87	85	84	82	80			
2	87	81	76	72	76	72	69			
3	81	74	68	63	68	65	61			
4	76	67	61	56	63	58	54			
5	71	61	55	50	58	53	49			
6	66	56	50	45	54	48	44			
7	62	52	46	41	50	44	40			
8	58	48	42	38	46	41	37			
9	55	45	39	35	43	38	34			
10	52	42	36	32	41	35	32			

Options

- 15 UV absorbing tempered low brightness prismatic flat glass instead.
- 23 Mercury ballast instead. 100ME standard or see Option -43. Specify voltage.
- 24 HPS ballast instead. 100ME standard or see Option -43. Specify voltage.
- 26 Tamper-proof recessed hex, center pin, button door screw with key. One key provided per ten fixtures. See also -27.
- 27 Clear 1/4" tempered glass beneath prismatic flat lens, for vandal resistance. Also see Option -26.
- 29 White Son ballast instead. 100W 120V ED-17 ME lamp only. Consult factory for 277V.
- 35 Silver enameled housing and frame finish.
- 36 Gold enameled housing and frame finish.
- 37 Bronze enameled housing and frame finish.
- 38 Black enameled housing and frame finish.
- 43 Lower wattage medium base - specify voltage and wattage for: Metal Halide: 70, 50; Mercury: 75, 50; HPS: 70, 50, 35; White Son: 50.
- 46 Gasket between trim and lens.
- 49 Extra circuit DCB socket. (100 watt max.) Must not be energized simultaneously with main source.
- 58 277 volt 60 Hz. ballast instead.
- 65 Relay and DCB socket. (100 watt max.) With fixture energized, provides immediate light during HID outage. Also see Option -66.
- 66 Time delay relay and DCB socket. (100 watt max.) When energized, provides light until HID reaches 70% output.
- 80 Extension collar with two-1/2" knockouts (180° apart) for mounting luminaire beneath surface outlet box.
- 87 Custom -PM length. Specify up to 5 feet or consult factory. Use with Option -PM.
- 88 Swivel canopy for sloped ceilings up to 45°.
- 89 Earthquake rated. use with Option -PM. Weather Cap - required when luminaire is installed without covered ceiling protection.
- 94 Custom color frame and housing. Consult factory.
- 97 Other voltage ballasts. Consult factory.
- 99 Special modification. Consult factory.
- DG Drop Guard with prismatic glass; protects against thrown objects. Galvanized steel. White acrylic finish with tempered flat prismatic glass.
- DH Drop Holophane tempered lens instead.
- LP With lamp. Specify source, wattage, color temperature, and clear or coated 3200°K standard for 100MH). Consult factory for other color temperatures.
- LS With tungsten halogen standby lamp. (100 W max.) Use only with Options -49, -65 or -66.
- PM Pendant mount instead. 3/8" T.S. x 18" standard or see Option -87.
- WB Wall bracket mount instead. 4-1/2" arm.

THE KIRLIN COMPANY

3401 EAST JEFFERSON AVENUE ■ DETROIT, MICHIGAN 48207-4232
 (313) 259-6400 ■ FAX: (313) 259-9409 OR (313) 259-3121

SS51285

WATTAGE 100 LAMP E/ED-17

HIGH EFFICIENCY METAL HALIDE LIGHTING

LIMITED WARRANTY: CATALOGUED KIRLIN FIXTURES ARE WARRANTED FREE OF DEFECTS IN WORKMANSHIP OR MATERIAL FOR THREE YEARS FROM DATE OF PURCHASE. INSTALLLED TO N.E.C. IN NORMAL USE. Manufacturer at this option will replace or repair such fixture or refund the purchase price on presentation of proof of purchase and defective fixture at the offices of manufacturer within three years of original shipment. Liability of manufacturer is limited to the foregoing, and manufacturer shall not be liable for any other damages, direct or indirect, sustained or suffered by purchaser or any person. This warranty is supplied to the buyer in place of all other warranties, expressed or implied. Seller does not warrant as to merchantability or fitness for a particular use, nor will any oral statement constitute a warranty or amend this specific warranty. Abnormal use, abuse of the fixture, improper installation, or repair, or modification of the fixture without prior written authorization from the manufacturer will render the warranty void.