

10"

### REGRESED LENS: OFFICE / SCHOOL

#### Features

##### Lamp

- 100 watt coated E/ED-17 universal.
- See Option -43 for optional lower wattage.
- Option -23 for Mercury, Option -24 for HPS.

##### Socket

- Horizontal. Medium base. Pulse rated.
- Glazed porcelain.
- Nickel-plated brass screw shell. Silicone leads.

##### Reflector

- GlasSurfaced™ multi-faceted specular aluminum.

##### Trim Assembly

- Tapered black OptiGroove with white flange.
- UV absorbing tempered low brightness prismatic flat glass.
- Fresnel tempered lens with concentric prisms available (Option -FR).

##### Ballast Assembly

- WhisperPack™ fully encapsulated 180°C rated HPF ballast.
- Premium Class H; high reactance with 5:12 regulation.
- Capacitor and ignitor supplied.
- 120 volt standard or see optional voltages.
- Cool, quiet, long-life. Silicone leads.

##### Fuse

- Fused primary. Renewable. Aids servicing.

##### Housing

- Tempered, rigid, rustproof aluminum: Exceeds 1000 hour ASTM 5% salt spray test.
- Cool: Dissipates heat across entire surface area.
- No visible housing hardware.
- White acrylic enameled finish is standard.

##### Installation

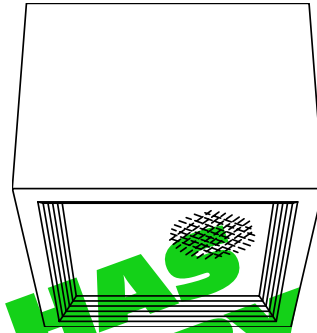
- Center point mounting with snug fit to ceiling.
- Indoor or outdoor for covered ceiling use (See Option -89).
- Mounting beneath surface outlet box available (Option -80).

##### UL Listing

- Wet, damp or dry locations, covered ceilings (See Option -89).

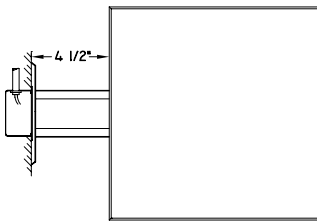
##### Three Year Limited Warranty

- Complete standard fixture.

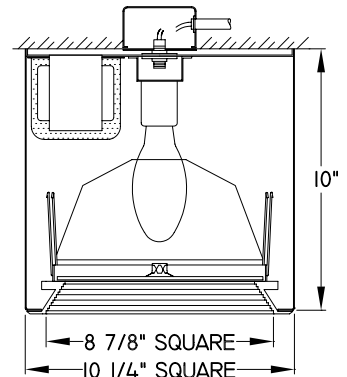


THIS FIXTURE HAS BEEN REPLACED BY HSS-10192. SOME DESIGN OPTIONS MAY HAVE CHANGED

### APPROVAL STAMP



PLAN VIEW SHOWN WITH OPTIONAL WALL-BRACKET (OPTION -WB)



## THE KIRLIN COMPANY

3401 EAST JEFFERSON AVENUE ■ DETROIT, MICHIGAN 48207-4232  
(313) 259-6400 ■ FAX: (313) 259-9409 OR (313) 259-3121

**HIGH EFFICIENCY  
METAL HALIDE LIGHTING**

LAMP  
E/ED-17

WATTAGE  
100

# SS51076

DATA

SUBMITTAL

VOLTAGE

WATTAGE

TYPE

MODEL

JOB NAME

LOCATION

# SS51076

SURFACE SQUARE: 100 WATT MEDIUM BASE METAL HALIDE



## Performance at a Glance - Installed Fixture

**Cones of Light**

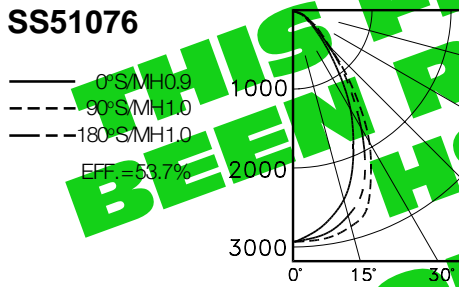
SS51076			SS51076-FR		
Ft.	FC	DIA.	Ft.	FC	DIA.
6	82.3	5.6	6	98.4	6.0
8	46.3	7.5	8	55.4	8.0
10	29.6	9.3	10	35.4	10.0
12	20.6	11.2	12	24.6	12.0
14	15.1	13.0	14	18.1	14.0
16	11.6	14.9	16	13.8	15.9

SINGLE FIXTURE

**Cone of Light Key**  
**Ft.** Distance to surface from fixture (mounting height)  
**FC** Footcandles  
**DIA.** Diameter (in feet) of the circle of light when FC value is half the FC at nadir.

## Photometric Data - Installed Fixture

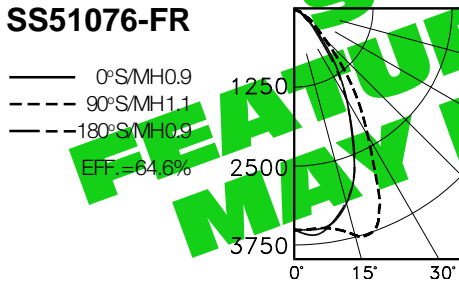
### SS51076



**COEFFICIENTS OF UTILIZATION**

C. DIST. (FT.)	20						
	80		50				
	70	50	30	10	50	30	10
0.0	2963	2963	1963	2963	2963		
15	2888	2907	1956	2958	2938		
30	2488	1660	1861	2833	2705		
45	1791	2217	2298	2483	2119		
60	1024	1446	1410	1655	1227		
75	433	710	614	794	490		
90	196	268	261	298	211		
105	112	117	118	119	105		
120	49	46	52	42	46		
135	0	1	1	1	0		
150	0	0	0	0	0		

### SS51076-FR



C. DIST. (FT.)	20						
	80		50				
	70	50	30	10	50	30	10
0.0	3543	3543	3543	3543	3543		
15	3564	3580	3560	3586	3655		
30	3278	3476	3744	3408	3270		
45	2234	3205	2928	3143	2211		
60	1243	1851	1677	1860	1127		
75	460	847	651	820	364		
90	192	291	229	281	164		
105	114	109	105	107	86		
120	51	44	48	38	35		
135	0	0	0	0	0		
150	0	0	0	0	0		

## Options

- 23 Mercury ballast instead. 100ME standard or see Option -43. Specify voltage.
- 24 HPS ballast instead. 100ME standard or see Option -43. Specify voltage.
- 27 Clear 1/4" tempered glass beneath prismatic flat lens, for vandal resistance.
- 29 White Son ballast instead. For ED-17 medium base 100 watt standard in 120 volt only. Consult factory for 277 volt.
- 35 Silver enameled housing and frame finish.
- 36 Gold enameled housing and frame finish.
- 37 Bronze enameled housing and frame finish.
- 38 Black enameled housing and frame finish.
- 40 White grooveless flare trim assembly instead.
- 43 Lower wattage medium base - specify voltage and wattage for: Metal Halide: 70, 50; Mercury: 75, 50; HPS: 70, 50, 35; White Son: 50.
- 45 Gasket above trim flange (between trim and housing).
- 46 Gasket between trim and lens.
- 49 Extra circuit DCB socket. (100 watt max.) Must not be energized simultaneously with main source.
- 58 277 volt 60 Hz. ballast instead.
- 65 Relay and DCB socket. (100 watt max.) With fixture energized, provides immediate light during HID outage. Also see Option -66.
- 66 Time delay relay and DCB socket. (100 watt max.) When energized, provides light until HID reaches 70% output.
- 80 Extension collar with two-1/2" knockouts (180° apart for mounting luminaire beneath surface outlet box).
- 87 Custom -PM length. Specify up to 5 feet or consult factory. Use with Option -PM.
- 88 Swivel canopy for sloped ceilings up to 45°. Earthquake rated. Use with Option -PM.
- 89 Weather Cap - required when luminaire is installed without covered ceiling protection.
- 94 Custom color trim assembly or housing. Consult factory.
- 97 Other voltage ballasts. Consult factory.
- 99 Special modification. Consult factory.
- FR Fresnel tempered lens instead. Concentric prisms.
- LP With lamp. Specify source, wattage, color temperature, and clear or coated (3200°K standard for MH). Consult factory for other color temperatures.
- LS With tungsten halogen standby lamp. (100 watt max.) Use only with Options -49, -65 or -66.
- PM Pendant mount instead. 3/8" T.S. x 18" standard or see Option -87.
- WB Wall bracket mount instead. 4-1/2" arm.

# THE KIRLIN COMPANY

3401 EAST JEFFERSON AVENUE ■ DETROIT, MICHIGAN 48207-4232  
 (313) 259-6400 ■ FAX: (313) 259-9409 OR (313) 259-3121

# SS51076

WATTAGE 100 LAMP E/ED-17

## HIGH EFFICIENCY METAL HALIDE LIGHTING

LIMITED WARRANTY: CATALOGUED KIRLIN FIXTURES ARE WARRANTED FREE OF DEFECTS IN WORKMANSHIP OR MATERIAL FOR THREE YEARS FROM DATE OF PURCHASE. INSTALLATION TO N.E.C. IN NORMAL USE. Manufacturer at his option will replace or repair such fixture or refund the purchase price on presentation of proof of purchase and defective fixture at the office of manufacturer within three years of original shipment. Liability of manufacturer is limited to the foregoing. No manufacturer shall not be liable for any other damages, direct or indirect, sustained or suffered by purchaser or any person. This warranty is applied to the buyer in place of the manufacturer's copy of installation, or repair, or modification of the fixture without prior written authorization from the manufacturer will render the warranty void.