

Regressed Lens for Triple Tube Amalgam Lamp

Features

Lamp

- Designed for:
 - 1 vertical Triple Tube 32 watt.
 - 4 pin GX24q-3 base.
- 90% lumen output maintained at ballast minimum operating temperature.
- Flicker-free starting, high light output, excellent color rendering (82 CRI).
- High efficiency with low operating cost.
- See Option -43 for lower wattage.

Ballast

- Regulating electronic ballast, power factor, thermally protected.
- -10°C (14°F) range. THD is less than 10%.
- Built-in RFI filter.
- 120 volt standard. See optional voltages.
- Dimming optional. (See Option -80)

Fuse

- Available and recommended.

Reflector

- Spun aluminum.

Trim Assembly

- Seamless tapered black OptiGroove with white flange. Self-flanged trim.
- Regressed prismatic, tempered low

- brightness C#73 spread distribution lens.
- Optional white grooveless flare trim or flat trim. (See Options -40 and -FT)
- Acrylic, fresnel or Holographic lens. Anopox or polycarbonate available. (See Options)

Housing

- Seamless, white acrylic enameled aluminum.
- Regressed cylindrical lens available.
- Cool: Distributed heat across entire surface.
- IP67 rated. Exceeds 1000 hour ASTM 5% salt spray test.

Installation

- Interchangeable mounting with spring clip.
- Mounting hardware available.
- Indoor or outdoor. Covered ceiling use.
- Code for mounting beneath surface outlet.
- Code for mounting on wall.
- Pendant mount available. (Option -PM)
- Wall bracket mount available. (Option -WB)

UL, C-UL (Canada) Listings

- Wet, damp or dry locations, covered ceilings. (See Option -89)

Three Year Limited Warranty

- Complete standard fixture.

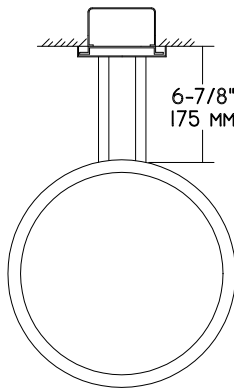
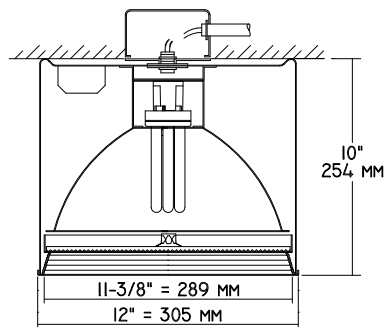


66% Efficiency

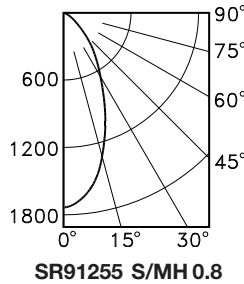
THIS FIXTURE IS NO LONGER AVAILABLE FOR CONSULT FACTORY REPLACEMENT

Performance at a Glance

SR91255



Note: Plan View shown with optional wall bracket (Option -WB).



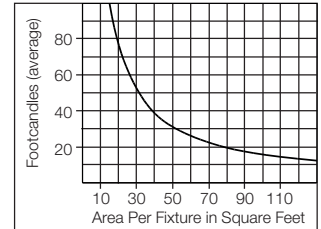
SR91255 S/MH 0.8

Cone of Light*

Ft.	FC	Dia.
6	47.4	4.4
8	26.7	5.9
10	17.1	7.4
12	11.9	8.8
14	8.7	10.3
16	6.7	11.8

SR91255

Multiple Fixture FC Calculator**



SR91255

Cone of Light Key

- Ft.** Distance from fixture
- FC** Footcandles (average)
- Dia.** Circle of light at 50% of FC

* Dia. (in ft.) shown is where FC value is half the FC at nadir.
 ** Based on RCR2; ceiling 70%; wall 50%; floor 20%. Use S/MH shown for each fixture.

THE KIRLIN COMPANY

3401 EAST JEFFERSON AVENUE • DETROIT, MICHIGAN 48207-4232
 (313) 259-6400 • Fax: (313) 259-9409 OR (313) 259-3121

CENTURY SERIES
ARCHITECTURAL
COMPACT FLUORESCENT LIGHTING

MAXIMUM WATTAGE

CATALOG NUMBER

1 Triple 32

SR91255

THE KIRLIN COMPANY RESERVES THE RIGHT TO CHANGE, WITHOUT NOTICE, DETAILS OR SPECIFICATIONS IN PRODUCT DESIGN.

Alzak® is a registered trademark of ALCOA.

Detailed Photometry - Installed Fixture

FROM I.T.L. (BOULDER, CO) TEST NUMBER 42389

CANDLEPOWER DISTRIBUTION

	0.0	22.5	45.0	67.5	90.0
0	1707	1707	1707	1707	1707
5	1654	1656	1660	1665	1667
15	1329	1325	1328	1344	1357
25	835	853	865	879	886
35	462	477	483	499	472
45	231	234	234	240	240
55	113	114	109	114	113
65	54	53	53	56	56
75	24	24	24	23	23
85	7	7	7	7	7
90	0	0	0	0	0

SR91255

*LER = 40.8
•AEC = \$5.88



EFFICIENCY = 66.0%

Coefficients of Utilization

Height	30				50		
	70	50	30	10	50	30	10
1	74	72	70	68	68	67	65
2	70	66	63	60	63	60	58
3	66	61	57	54	58	55	52
4	62	56	52	48	54	50	48
5	58	52	47	44	50	46	43
6	55	48	44	40	47	43	40
7	52	45	40	37	44	40	37
8	49	42	38	35	41	37	34
9	47	40	35	32	39	35	32
10	44	37	33	30	36	33	30

* LER = Luminaire Efficiency Rating
LER = Luminaire Effic. x Total Lamp Input Wtg. x Ballast Factor

• AEC = Annual Energy Cost per 1000 lumens (based on 3000 hours use @ \$0.08 KWH/h).

THIS FIXTURE IS NO LONGER AVAILABLE FOR CONSULT FACTORY REPLACEMENT

Options

- 13 Clear 1/8" flat polycarbonate below, with tempered prismatic flat C#73 lens above.
- 17 Prismatic 3/16" high strength acrylic instead.
- 18 Anopal flat glass. Not enameled. Diffusing.
- 20 White 1/2" cube eggcrate aluminum louver.
- 21 White translucent flat polycarbonate instead.
- 35 Silver enameled housing finish.
- 36 Gold enameled housing finish.
- 37 Dark Bronze enameled housing finish.
- 38 Black enameled housing finish.
- 39 Installed 32 watt electronic dimming ballast. Consult factory 18 or 26 watt or for quantity and type required. Also see Options -LE and -WD. Indoor use.
- 40 White grooveless flare trim with regressed tempered C#73 or specify optional lens.
- 43 Lower wattage triple tube: specify 1-18 or 1-26 watt.
- 45 Gasket above trim flange (between trim and housing).
- 46 Gasket between trim and lens.
- 58 277 volt 60 Hz. ballast instead.
- 73 Internal emergency "Ni-Cad" battery pack concealed in housing. Switch and visible light located above lens. For indoor use.
- 80 2" extension collar for mounting beneath surface outlet box. Finish matches housing color.
- 87 Custom -PM length. Specify up to 5 feet or consult factory. Use with Option -PM.
- 88 Swivel canopy for sloped ceilings up to 45°. Earthquake rated. Use with Option -PM.
- 89 Weather Cap - required when luminaire is installed without covered ceiling protection.
- 94 Custom color. Specify part(s). Consult factory.
- 97 Other voltage ballast. Consult factory.
- 98 347 volt 60 Hz. ballast instead. Consult factory for dimming.
- 99 Special modification. Consult factory.
- CW Cold weather electronic HPF ballast. -18°C to -20°C (0°F to -5°F).
- FR Fresnel tempered lens instad. Concentric prisms.
- FS Fused. Replaceable. Aids servicing.
- FT Flat white trim instead. With tempered prismatic C#73 spread lens or specify other lens.
- HO Holophane concave prismatic tempered lens.
- LE With 4-pin electronic Triple Tube amalgam lamp. 82 CRI and 10,000 hour life. 3500°K or consult factory for 2700°K, 3000°K, 4100°K. Specify wattage and color temperature.
- PM Pendant mount instead. 3/8" T.S. x 8" standard. Also see Options -87 and -88.
- WB Wall bracket mount instead. Also see -89.
- WD Wall Dimmer for use with Option -39. Consult factory for 18 or 26 watt.

SUBMITTAL DATA

APPROVAL STAMP

JOB NAME _____

TYPE _____

WATTAGE _____ VOLTAGE _____

CATALOG NUMBER _____

LIMITED WARRANTY: CATALOGUED KIRLIN FIXTURES ARE WARRANTED FREE OF DEFECTS IN WORKMANSHIP OR MATERIAL FOR THREE YEARS FROM DATE OF PURCHASE. INSTALLATION, MAINTENANCE, AND REPAIRS ARE THE RESPONSIBILITY OF THE USER. THE PURCHASER'S PRESENTATION OF THIS WARRANTY TO THE OFFICE OF MANUFACTURER WITHIN THREE YEARS OF ORIGINAL SALE IS A CONDITION OF THE WARRANTY. LIABILITY OF MANUFACTURER IS LIMITED TO THE ORIGINAL PURCHASER. THIS WARRANTY IS SUPPLIED FROM THE MANUFACTURER AND WILL NOT BE VALID WITHOUT THE MANUFACTURER'S AUTHORIZATION.