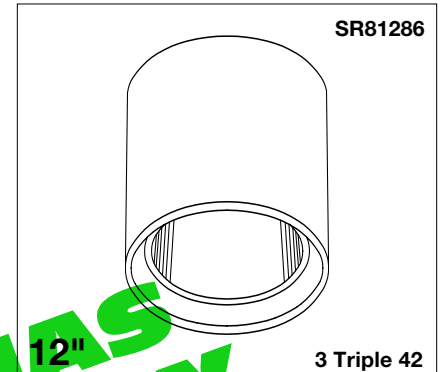


3 Triple 42 Watt Open Downlight: 3 Level Switching Available Multi-Wattage



Features

Lamp

- Designed for:
 - 3 horizontal Triple Tube 42 watt.
 - 4-pin GX24q-4 base.
- **Lamp socket suitable for 42, 32 or 26 (electronic) wattages.**
- 90% lumen output maintained at ballast minimum operating temperature.
- Flicker-free starting, high light output, excellent color rendering (82 CRI).
- Long 10,000 hour life.
- High efficiency with low operating costs.
- See Option -43 for lower wattage.

Ballast

- **Suitable for all wattages from 26 through 42 electronic (non-dimming).**
- Regulating electronic high power factor, thermally protected, enclosed.
- Minimum starting temperature 0°F (-18°C).
- Contains end of lamp life protection circuit.
- Built-in RIF filter. THD is less than 10%.
- 120 volt standard or see optional voltages.
- See Option -84 for two circuit switching. Provides 1, 2 or 3 lamp lighting levels.
- Dimming optional. See Option -39.

Fuse

- Available as Option -FS (single) or -FD (double).

Reflector

- SofTex clear low iridescence softly etched Alzak® aluminum reflector. Resists fingerprints, smudges, dust.
- Optional reflector colors and finishes available. See Options.

Housing

- Seamless deep drawn white acrylic enameled aluminum with interlocking flare.
- No visible cylinder hardware.
- Cool. Dissipates heat across entire surface area.
- Rustproof. Exceeds 1000 hour ASTM 5% salt spray test.
- Optional housing colors (-35, -36, -37, -38) or custom color (-94) offered.

Installation

- Center point mounting with snug fit to ceiling. Mounting hardware furnished.
- Indoor or outdoor for covered ceiling use. (See Option -89)

12"

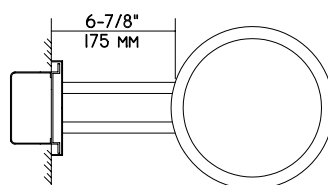
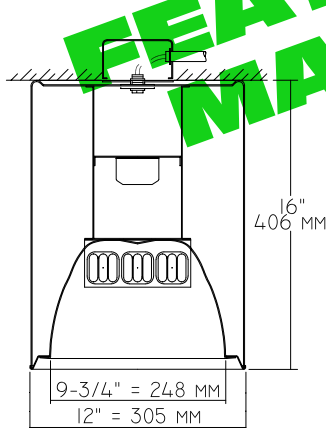
3 Triple 42

**Lumen Output Exceeds
100 Watt Metal Halide**

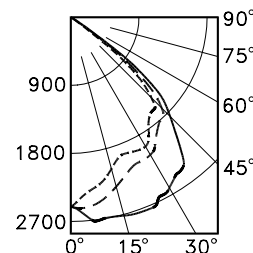
**Pendant Mount,
Swivel Canopy,
or Wall Bracket Mount
Available**

- Collar for mounting beneath surface outlet box available. (Option -80)
- Pendant mount available. (Option -PM)
- Wall bracket available. (Option -WB)
- **UL, C-UL (Canada) Listings**
- Damp or dry locations, covered ceilings.
- **Three Year Limited Warranty**
- Complete standard fixture.

Performance at a Glance



Note: Plan View shown with optional wall bracket (Option -WB).



--- 0° S/MH 1.2
— 90° S/MH 1.5
— 180° S/MH 1.3

Cone of Light*

Ft.	FC	Dia.
6	68.7	8.0
8	38.7	10.7
10	24.7	13.4
12	17.2	16.0
14	12.6	18.7
16	9.7	21.4

Cone of Light Key

- Ft.** Distance from fixture
- FC** Footcandles (average)
- Dia.** Circle of light at 50% of FC

* Dia. (in ft.) shown is where FC value is half the FC at nadir.

THE KIRLIN COMPANY

3401 EAST JEFFERSON AVENUE • DETROIT, MICHIGAN 48207-4232
(313) 259-6400 • Fax: (313) 259-9409 OR (313) 259-3121 • www.kirlinlighting.com

**SECOND CENTURY SERIES
TRIPLE TUBE
COMPACT FLUORESCENT LIGHTING**

MAXIMUM WATTAGE

CATALOG NUMBER

3 Triple 42

SR81286

DUE TO OUR CONTINUING EFFORT TO IMPROVE PRODUCTS, TECHNICAL INFORMATION IS SUBJECT TO CHANGE WITHOUT NOTICE.

Alzak® is a registered trademark of ALCOA.

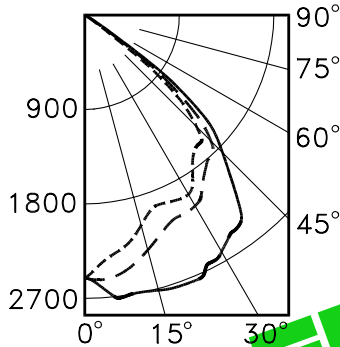
SR81286 SURFACE ROUND: TRIPLE TUBE 42 WATT (MAXIMUM) COMPACT FLUORESCENT

Detailed Photometry - Installed Fixture

FROM I.T.L. (BOULDER, CO) TEST NUMBER 46035

SR81286

*LER = 33.4
•AEC = \$7.19



0° S/MH 1.2
90° S/MH 1.5
180° S/MH 1.3
EFFICIENCY = 55.6%

Estimated Multipliers
-71 SofTex Dune, CP x .96
-90 SofTex Champagne Gold, CP x .98
-91 SofTex Wheat, CP x .96

CANDLEPOWER DISTRIBUTION

Table with 5 columns (0.0, 45.0, 90.0, 135.0, 180.0) and 11 rows (0, 5, 15, 25, 35, 45, 55, 65, 75, 85, 90) showing candlepower values.

COEFFICIENTS OF UTILIZATION

Table with 5 columns (0, 30, 10, 50, 30, 10) and 11 rows (0, 2, 3, 4, 5, 6, 7, 8, 9, 10) showing utilization coefficients.

• AEC = Annual Energy Cost per 1000 lumens (based on 3000 hours use @ \$0.08 KWH).

* LER = Luminaire Efficiency Rating
LER = Luminaire Effic. x Total Lamp Lumens x Ballast Factor / Input Watts

THIS FIXTURE HAS BEEN REPLACED BY FSR-12054 SOME DESIGN CHANGES MAY HAVE OCCURRED

Options

- 31 White flange on self-flanged lower reflector.
-35 Silver enameled luminaire finish instead.
-36 Gold enameled luminaire finish instead.
-37 Dark Bronze enameled luminaire finish instead.
-38 Black enameled luminaire finish instead.
-39 Installed electronic dimming ballast for 42 watt or add Option -43 for lower wattages.
-43 Lower wattage triple tube: Specify 18 watt (electronic) or 32, 26 or 18 watt (dimming) and voltage.
-54 Safety cable through pendant stem. 12" longer than specified stem length.
-58 277 volt 60 Hz. ballast instead.
-71 SofTex Dune softly etched self-flanged reflector. Resists smudges.
-73 Internal emergency "Ni-Cad" battery pack concealed in housing (one lamp only).
-74 Two lamp internal emergency "Ni-Cad" battery pack concealed in housing for 18, 26, or 32 watt.
-80 2" white extension collar for mounting luminaire beneath surface outlet box.
-84 Fixture wired for two circuit switching.
-87 Custom -PM length.
-88 Swivel canopy for sloped ceilings up to 45°. Earthquake rated.
-89 Sealed top feature prevents moisture and insect intrusion.
-90 SofTex Champagne Gold softly etched self-flanged reflector.
-91 SofTex Wheat softly etched self-flanged reflector.
-94 Specular Pewter or Umber or other specified custom color self-flanged reflector.
-97 Other voltage ballast.
-98 347 volt 60 Hz. ballast instead.
-99 Special modification.
-FD Double Fused primary.
-FS Fused primary.
-LE With 4-pin electronic Triple Tube amalgam lamp.
-PM Pendant mount instead.
-WB Wall bracket mount instead.
-WD Wall Dimmer for use with Option -39.

SUBMITTAL DATA

APPROVAL STAMP

JOB NAME _____
TYPE _____
WATTAGE _____ VOLTAGE _____
CATALOG NUMBER _____

LIMITED WARRANTY: CATALOGUED KIRLIN FIXTURES ARE WARRANTED FREE OF DEFECTS IN WORKMANSHIP OR MATERIAL FOR THREE YEARS FROM DATE OF PURCHASE...