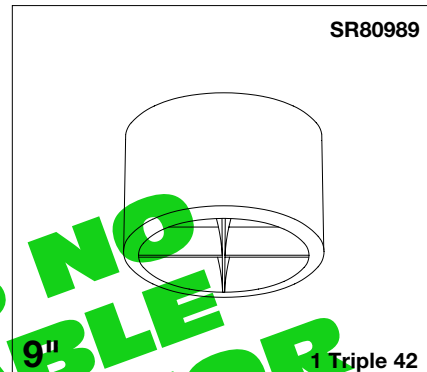


X-CELL™ Cross Baffle in Seamless Deep Drawn Cylinder Multi-Wattage • Multi-Voltage



Features

Lamp

- Designed for:
1 horizontal Triple Tube 42 watt.
- **Lamp socket suitable for 42, 32 or 26 (electronic) wattages.**
- 4-pin GX24q-4 base.
- 90% lumen output maintained at ballast minimum operating temperature.
- Flicker-free starting, high light output, excellent color rendering (82 CRI).
- Long 10,000 hour life.
- High efficiency with low operating costs.
- See Option -43 for lower wattage.

Ballast

- **Suitable for all wattages from 26 through 42 electronic (non-dimming).**
- **Suitable for all voltages from 120 through 277 volt (non-dimming).**
- Regulating electronic high power factor, thermally protected, encased.
- Minimum starting temperature 0°F (-18°C). See Option -CW for cold weather.
- With built-in end of lamp life protection.
- Built-in RIF filter. THD is less than 10%.
- Dimming optional. See Option -39 for availability and restrictions.

NOTE: Options -43 (18 watt), -39 and -73 require specific voltage and are standard with 120V ballast. For other voltages specify Options -58, -97 or -98.

Fuse

- Available as Option -FS (single)

Reflector

- Self-flanged low iridescence semi-specular Alzak® aluminum reflector with 4-cell parabolic cross baffle.
- Optional White finish (Option -30) or White flange only (Option -31).
- Wall wash cross baffle available. (See Option -WW)

Housing

- Seamless white acrylic enameled aluminum. Deep-drawn.
- No visible cylinder hardware.
- Cool: Dissipates heat across entire surface area.
- Rustproof: Exceeds 1000 hour ASTM 5% salt spray test.

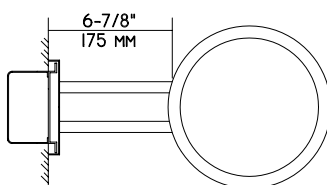
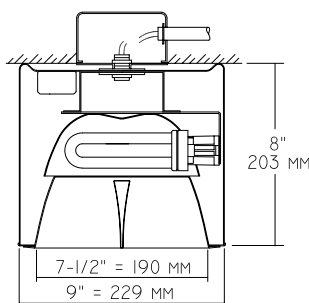
Installation

- Center point mounting with snug fit to ceiling. Mounting hardware furnished.
- Indoor or outdoor for covered ceiling use. (See Option -89)

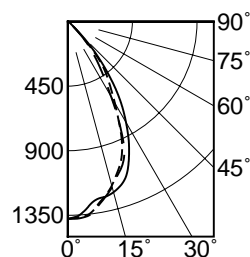
Optional Wall Wash, ShatterGuard
Excellent Cut-Off
Pendant Mount, Swivel Canopy, or Wall Bracket Mount Available

- Collar for mounting beneath surface outlet box available. (Option -80)
- Pendant mount available. (Option -PM)
- Wall bracket available. (Option -WB)
- UL, C-UL (Canada) Listings**
- Wet, damp or dry locations, covered ceilings.
- Three Year Limited Warranty**
- Complete standard fixture.

Performance at a Glance



Note: Plan View shown with optional wall bracket (Option -WB).



--- 0° S/MH 0.9
— 90° S/MH 1.0
- · - 180° S/MH 0.9

Cone of Light*

Ft.	FC	Dia.
6	38.2	5.7
8	21.5	7.7
10	13.8	9.6
12	9.5	11.5
14	7.0	13.4
16	5.4	15.3

Cone of Light Key

Ft. Distance from fixture
FC Footcandles (average)
Dia. Circle of light at 50% of FC

* Dia. (in ft.) shown is where FC value is half the FC at nadir.

THE KIRLIN COMPANY

3401 EAST JEFFERSON AVENUE • DETROIT, MICHIGAN 48207-4232
(313) 259-6400 • Fax: (313) 259-9409 OR (313) 259-3121 • www.kirlinlighting.com

**SECOND CENTURY SERIES
TRIPLE TUBE
COMPACT FLUORESCENT LIGHTING**

MAXIMUM WATTAGE

CATALOG NUMBER

1 Triple 42

SR80989

DUE TO OUR CONTINUING EFFORT TO IMPROVE PRODUCTS, TECHNICAL INFORMATION IS SUBJECT TO CHANGE WITHOUT NOTICE.

Alzak® is a registered trademark of ALCOA.

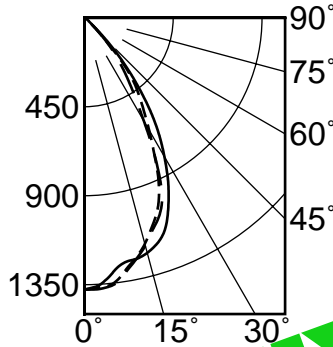
SR80989 SURFACE ROUND: TRIPLE TUBE 42 WATT (MAXIMUM) COMPACT FLUORESCENT

Detailed Photometry - Installed Fixture

FROM I.T.L. (BOULDER, CO) TEST NUMBER 51514

SR80989

*LER = 31.2
 •AEC = \$7.69



CANDLEPOWER DISTRIBUTION

	0.0	45.0	90.0	135.0	180.0
0	1375	1375	1375	1375	1375
5	1361	1345	1325	1353	1367
15	1184	1200	1231	1174	1194
25	884	986	1010	962	911
35	487	504	595	495	391
45	103	113	142	119	105
55	18	14	23	15	16
65	4	2	4	2	4
75	0	0	0	0	0
85	0	0	0	0	0
90	0	0	0	0	0

COEFFICIENTS OF UTILIZATION

R	0	5	10	50	50	10
1	47	46	45	44	43	42
2	45	43	41	40	41	39
3	42	40	38	36	38	35
4	40	37	35	33	36	32
5	38	35	32	30	33	30
6	36	32	30	28	31	28
7	34	30	28	26	29	26
8	33	28	26	24	28	24
9	31	27	24	23	26	22
10	29	25	23	21	25	21

Estimated Multiplier -30 White: CP x .88

* AEC = Annual Energy Cost per 1000 lumens (based on 3000 hours use @ \$0.08 KWH).

* LER = Luminaire Efficiency Rating
 LER = Luminaire Effic. x Total Lamp Lumens x Ballast Factor / Input Watts

THIS FIXTURE IS NO LONGER AVAILABLE FOR CONSULT FACTORY REPLACEMENT

Options

- 30 White cross baffle reflector assembly and flange. (CP x .88)
- 31 White flange (only) on cross baffle reflector.
- 35 Silver enameled luminaire finish instead.
- 36 Gold enameled luminaire finish instead.
- 37 Dark Bronze enameled luminaire finish instead.
- 38 Black enameled luminaire finish instead.
- 39 Installed electronic dimming ballast for 42 watt or add -43 for lower wattages. **Specify voltage.** Consult factory for brand type. Also see Options -LE and -WD. Indoor use; not available with Option -CW.
- 43 Lower wattage triple tube: Specify 18 watt (electronic) or 32, 26 or 18 watt (dimming) and **voltage.**
- 54 Safety cable through pendant stem. 12" longer than specified stem length. Anchored to fixture. Use with Option -PM.
- 58 277 volt 60 Hz. ballast instead. For use with Options -39 and -43.
- 75 Remote emergency "Ni-Cad" battery pack. **Specify voltage.** Provided with 2' lengths of flexible conduit at each end. Consult factory for maximum mounting distance. Includes test/monitor plate. Indoor use.
- 80 2" white extension collar for mounting luminaire beneath surface outlet box. Finish will match housing color selected.
- 87 Custom -PM length. Specify up to 4 feet or consult factory. Use with Options -PM and -54.
- 88 Swivel canopy for sloped ceilings up to 45°. Earthquake rated. Use with Option -PM.
- 89 Sealed top feature prevents moisture and insect intrusion from above in outdoor or high humidity areas. Use with Option -PM or -WB.
- 94 Custom color self-flanged cross baffle reflector. Consult factory.
- 97 Other voltage ballast. Consult factory.
- 98 347 volt 60 Hz. ballast instead. Consult factory.
- 99 Special modification. Consult factory.
- CW Cold weather -22°F (-30°C) ballast instead. Not available with Option -39.
- FS Fused. Replaceable. Aids servicing.
- LE With 4-pin electronic Triple Tube amalgam lamp. 82 CRI and 10,000 hour life. 3500°K or consult factory. Specify wattage and color temperature.
- PM Pendant mount instead. 3/8" T.S. x 8" standard. Also see Options -54, -87 and -88.
- SG ShatterGuard. 1/8" clear polycarbonate below lamp, secured to upper reflector.
- WB Wall bracket mount instead. Also see Option -89.
- WD Wall Dimmer for use with Option -39. Consult factory for type and quantity required.
- WW Wall wash cross baffle reflector assembly instead.

SUBMITTAL DATA

APPROVAL STAMP

JOB NAME _____

TYPE _____

WATTAGE _____ VOLTAGE _____

CATALOG NUMBER _____

LIMITED WARRANTY: CATALOGUED KIRLIN FIXTURES ARE WARRANTED FREE OF DEFECTS IN WORKMANSHIP OR MATERIAL FOR THREE YEARS FROM DATE OF PURCHASE. INSTALLATION N.E.C. (NORMAL USE). Manufacturer at his option will replace or repair such fixture or refund the purchase price on presentation of proof of purchase and defective fixture at the offices of manufacturer within three years of original shipment. Liability of manufacturer is limited to the original and manufacturer's standard warranty. Aditional use, abuse of the fixture, improper installation, or repair, or modification of the fixture without prior written authorization from the manufacturer will render the warranty void.